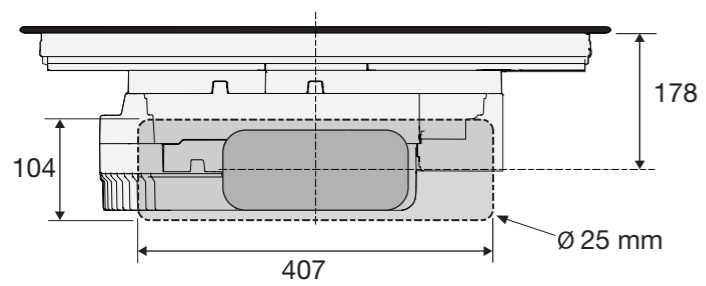
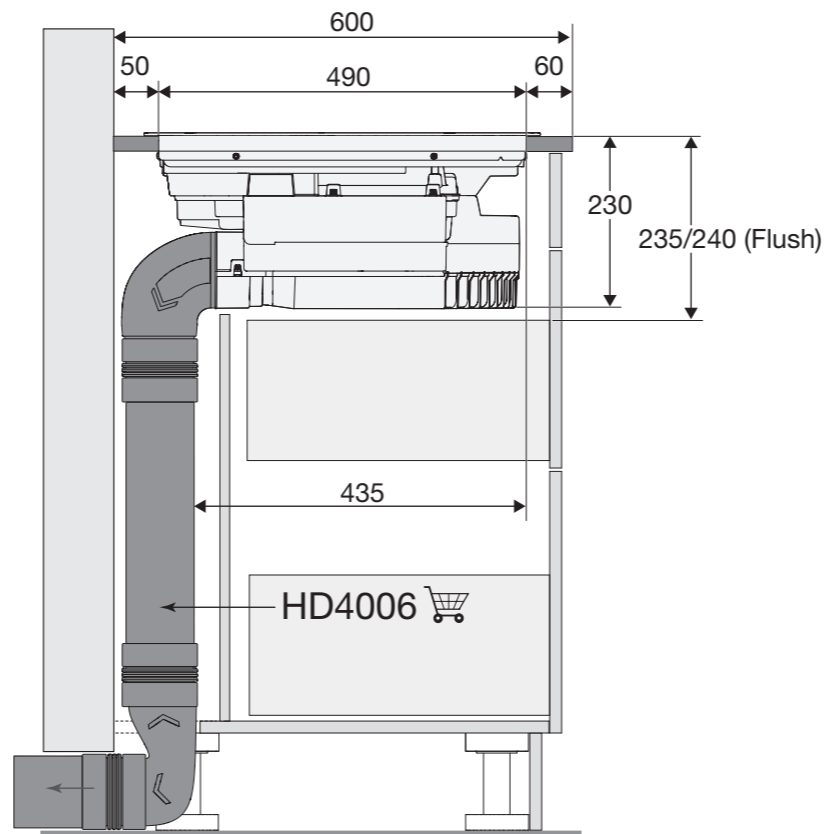


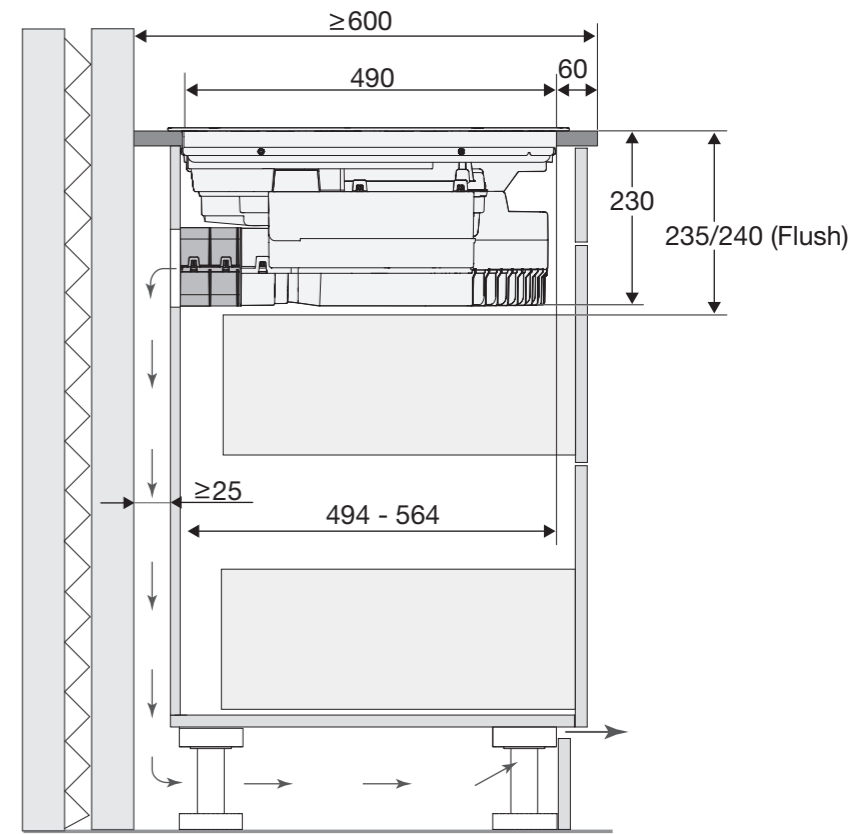
HR0018



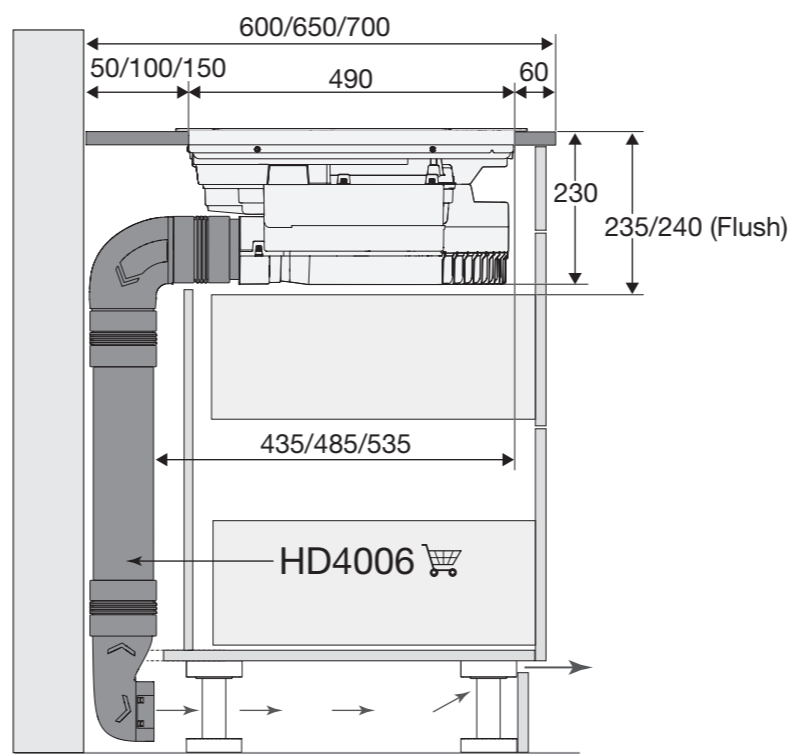
OPTION A



OPTION B



OPTION C



OPTION D

