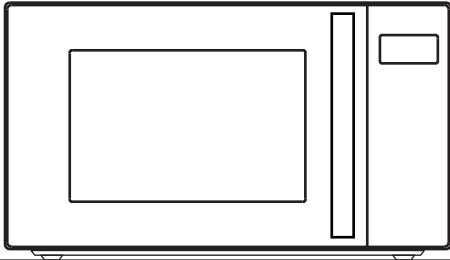


Hisense



H2MOBS4HS

Instruction manual / Microwave oven	
EN	4
Instrucciones para el uso / Horno microondas	
ES	19
Istruzioni per l'uso / Forno a microonde	
IT	35
Notice d'utilisation / Micro-ondes	
F	51
Instruções de utilização / Forno de Micro-ondas	
PT	67
Gebruiksaanwijzing / Magnetron oven	
NL	83
Gebrauchsanweisung / Mikrowellengerät	
D	99
Kasutusjuhend / Mikrolaineahi	
ET	116
Instrukcija / Mikrobangų krosnelė	
LT	131
Lietošanas pamācība / Mikroviļņu krāsns	
LV	146
Упатства за употреба / Микробрановата печка	
MK	161

DEAR CUSTOMER

We sincerely thank you for your purchase. We believe you will soon find ample evidence that you can really rely on our products. To make the use of the appliance easier, we attach these comprehensive instruction manual.

The instructions should aid you in getting familiar with your new appliance. Please, read them carefully before using the appliance for the first time.

In any case, please make sure the appliance was supplied to you undamaged. Should you identify and transport damage, contact your sales representative or the regional warehouse from where the product was delivered. You will find the telephone number on the receipt or delivery report.

We wish you a lot of pleasure with your new household appliance.



The appliance for household use for heating food and beverages using electromagnetic energy, for indoor use only.

INSTRUCTIONS FOR USE

These instructions are intended for the user. They describe the cooker and how to use it. They also apply to different types of appliances, therefore you may find some descriptions of functions that may not apply to your appliance.

ENERGY CONSUMPTION

Product information for power consumption and maximum time to reach applicable low power mode.

Off mode	0.8W
----------	------

The maximum time needed for the microwave oven to automatically reach the applicable low power mode or condition.	15 minutes
---	------------

We reserve the right to any changes and errors in the instructions for use.

IMPORTANT SAFETY INSTRUCTIONS



Never touch the surfaces of heating or cooking appliances. They will become hot during operation. Keep children at a safe distance. There is a risk of burning!



Microwave energy & High voltage!
Do not remove the cover.

WARNING! The appliance and its accessible parts become hot during use. Care should be taken to avoid touching heating elements. Children less than 8 years of age shall be kept away unless continuously supervised. Children should be supervised to ensure that they do not play with the appliance.

This appliance can be used by children aged from 8 years and above and persons with reduced physical, sensory or mental capabilities or lack of experience and knowledge if they have been given supervision or instruction concerning use of the appliance in a safe way and understand the hazards involved. Children shall not play with the appliance. Cleaning and maintenance shall not be made by children unless they are older than 8 and supervised.

Keep the appliance and its cord out of reach of children less than 8 years.

- **WARNING:** When the appliance is operated in the combination mode, children should only use the oven under adult supervision due to the temperatures generated; (Only for the model with grill function)

- **WARNING:** If the door or door seals are damaged, the oven must not be operated until it has been repaired by a competent person;
- **WARNING:** It is hazardous for anyone other than a competent person to carry out any service or repair operation that involves the removal of a cover which gives protection against exposure to microwave energy;
- **WARNING:** liquids and other foods must not be heated in sealed containers since they are liable to explode.
- Children should be supervised to ensure that they do not play with the appliance.
- Don't remove oven's feet, do not block air vents of the oven.
- Only use utensils that are suitable for use in microwave ovens.
- When heating food in plastic or paper containers, keep an eye on the oven due to the possibility of ignition;
- If smoke is observed, switch off or unplug the appliance and keep the door closed in order to stifle any flames;
- Microwave heating of beverages can result in delayed eruptive boiling, therefore care must be taken when handling the container;
- The contents of feeding bottles and baby food jars shall be stirred or shaken and the temperature checked before consumption, in order to avoid burns;

- Eggs in their shell and whole hard-boiled eggs should not be heated in microwave ovens since they may explode, even after microwave heating has ended;
- When cleaning surfaces of door, door seal, cavity of the oven, use only mild, nonabrasive soaps, or detergents applied with a sponge or soft cloth.
- The oven should be cleaned regularly and any food deposits removed;
- Failure to maintain the oven in a clean condition could lead to deterioration of the surface that could adversely affect the life of the appliance and possibly result in a hazardous situation;
- If the supply cord is damaged, it must be replaced by the manufacturer, its service agent or similarly qualified persons in order to avoid a hazard.
- Do not let the cord hang over the edge of the table or worktop.
- Never connect this appliance to an external timer switch or remote control system in order to avoid a hazardous situation.
- Never replace the light bulb inside the oven. It must always be replaced by Hisense service.
- Do not clean the appliance with steam cleaners, high-pressure cleaners, sharp objects, abrasive cleaning agents, and abrasive sponges and stain removers.

Listed below are, as with all appliances, certain rules to follow and safeguards to assure top performance from this oven:

1. Always have the glass tray, roller arms, coupling and roller track in place when operating the oven.
2. Do not use the oven for any reason other than food preparation, such as for drying clothes, paper, or any other nonfood items, or for sterilizing purposes.
3. Do not operate the oven when empty. This could damage the oven.
4. Do not use the oven cavity for any type of storage, such as papers, cookbooks, etc.
5. Do not cook any food surrounded by a membrane, such as egg yolks, potatoes, chicken livers, etc without first being pierced several times with a fork.
6. Do not insert any object into the openings on the outer case.
7. Do not at any time remove parts from the oven such as the feet, coupling, screws, etc.
8. Do not cook food directly on the glass tray. Place food in/on proper cooking utensil before placing in the oven.

IMPORTANT - COOKWARE NOT TO USE IN YOUR MICROWAVE OVEN

- Do not use metal pans or dishes with metal handles.
 - Do not use anything with metal trim.
 - Do not use paper covered wire twist-ties on plastic bags.
 - Do not use melamine dishes as they contain a material which will absorb microwave energy. This may cause the dishes to crack or char and will slow down the cooking speed.
 - Do not use Centura Tableware. The glaze is not suitable for microwave use. Corelle Livingware closed handle cups should not be used.
 - Do not cook in a container with a restricted opening, such as a pop bottle or sealed oil bottle, as they may explode if heated in a microwave oven.
 - Do not use conventional meat or candy thermometers.
 - There are the thermometers available specifically for microwave cooking. These may be used.
9. Microwave utensils should be used only in accordance with manufacturer's instructions.
 10. Do not attempt to deep-fry foods in this oven.
 11. Please remember that a microwave oven only heats the liquid in a container rather than the container itself. Therefore, even though the lid of a container is not

hot to the touch when removed from the oven, please remember that the food/liquid inside will be releasing the same amount of steam and/or spitting when the lid is removed as in conventional cooking.

12. Always test the temperature of cooked food yourself especially if you are heating or cooking food/liquid for babies. It is advisable never to consume food/liquid straight from the oven but allow it to stand for a few minutes and stir food/liquid to distribute heat evenly.
13. Food containing a mixture of fat and water, e.g. stock, should stand for 30-60 seconds in the oven after it has been turned off. This is to allow the mixture to settle and to prevent bubbling when a spoon is placed in the food/liquid or a stock cube is added.
14. When preparing/cooking food/liquid and remember that there are certain foods, e.g. Christmas puddings, jam and mincemeat, which heat up very quickly. When heating or cooking foods with a high fat or sugar content do not use plastic containers.
15. Cooking utensil may become hot because of heat transferred from the heated food. This is especially true if plastic wrap has been covering the top and handles of the utensil. Potholders may be needed to handle the utensil.
16. To reduce the risk of fire in the oven cavity:
 - a) Do not overcook food. Carefully attend microwave oven if paper, plastic, or other combustible materials are placed inside the oven to facilitate cooking.
 - b) Remove wire twist-ties from bags before placing bag in oven.
 - c) If materials inside the oven should ignite, keep oven door closed, turn the oven off at the wall switch, or shut off power at the fuse or circuit breaker panel.

CONTROL PANEL



Potato



Pasta



Pizza



Popcorn



Vegetable



Beverage



Meat



Reheat



Fish

Microw.

Defrost/ECO

Timer/Mute

1

2

3

4

5

6

7

8

9

STOP

Cancel

0

Clock

START

+30 Sec

DISPLAY

Shows the clock, cooking time and setting.

DEFROST

Use this key to defrost the food by time and weight
MICROW.

Use this key to select the microwave power level.

CLOCK

Hold this key for 3 sec to set the clock.

TIMER

Use this key to set the timer function.

ICONS

Use these keys to set time and food weight and to choose the auto menu programmes.

DEFROST/ECO

Use this key to defrost the food by time and weight, Use this

key to save power .

TIMER/Mute

Press this button in standby mode to enter the sound on/off selection

0 - 9

Use these keys to enter the cooking time and weight.

STOP/CANCEL

Use this key to stop or cancel the setting. Hold 3sec for child lock

START/+30 SEC

Use this key to do quick start cooking of 30 seconds, increase cooking time by 30 seconds (by each press), or confirm cooking settings.

OPERATION INSTRUCTION

CLOCK

The oven is fitted with a digital clock. When the oven is in the standby mode, the clock can be set by pressing the Clock key for 3sec.

1. Press the Numeric (0-9) keys and enter the time.
For example, to input the current time 12:30, you need to press "1", "2", "3", "0". The input hour has to be within 1-24 and the input minutes has to be within 0-59.
2. Press the Start key to complete the clock setting.
":": will start flashing. The clock setting is complete.

NOTE:

Please ensure that you have set the clock prior to use.

TIMER/MUTE TIMER

Use the countdown timer to set an alarm.

1. Press the Timer key. The display will show "":".
2. Press the Numeric (0-9) keys and enter the timer time. The longest time you can set is 99 minutes and 99 seconds.
3. Press the START key to confirm the setting.
4. Once the elapsed time is reached, the microwave will sound and return to its original state.

NOTE:

- When the kitchen timer is running, other functions cannot be used.
- When the microwave is not in use, this feature allows you to use the microwave as a timer.
- Please make sure the clock has been set.

TIMER/MUTE MUTE

Press and hold down this button in standby mode to enter the sound on/off selection, and display the corresponding turn on or off the information. After selecting the sound to turn it on or off, press the "STOP" button to exit the selection. The buzzer sound can be turned on or off according to the corresponding settings.

MICROW.

There are ten microwave power levels, 100P, 90P, 80P, 70P, 60P, 50P, 40P, 30P, 20P and 10P, respectively. Press the "Microw." button continuously and select the desired microwave power. Press 0~9 number buttons to input the cooking time, the maximum time that can be input is 99:99. After entering the cooking time, press "START/+30s" button to start work. An buzzing sound to notify completion of the operation.

NOTE:

Different power is suitable for preparing different food.

HIGH	100% and 90% power output	for quick and thorough cooking
M.High	80% and 70% power output	for medium express cooking
Med	60% and 50% power output	for steaming food
M.Low	40% and 30% power output	for defrosting food
LOW	20% and 10% power output	for keeping warm

AUTO COOKING

For the food in the auto menu, only the type of food and the weight/amount have to be set. The oven will aid you in the setting of power and time.

For instance: If you want to cook 2 pieces of potato, please follow the steps below:

1. Press the Potato key repeatedly to select the weight option of your food. Please refer to the auto-cook menu table for more information.
2. Press the START key to confirm and start cooking.

Menu	Display	Weight
A1 Potato	250	250g
	500	500g
	750	750g
A2 Pasta	50	50g
	100	100g
	150	150g
A3 Pizza	200	200g
	400	400g
A4 Popcorn	100	100g
A5 Vegetable (frozen)	200	200g
	400	400g
	600	600g
A6 Beverage	1	250ml
	2	500ml
	3	750ml

A7 Meat	200	200g
	400	400g
	600	600g
A8 Fish	200	200g
	400	400g
	600	600g

NOTE:

- For some food, you may need to turn it over during cooking to ensure it is thoroughly cooked and browns evenly.
- The density and thickness of food can affect its cooking time.
- All cooking times are approximate guides only; adjust to preferred tastes and recipes.
- Only use suitable microwavable containers and cling film in the microwave. Pierce the film with a fork before cooking.

REHEAT

Reheat function is mainly to facilitate users to heat food according to the weight of food, press "Reheat" button continuously, select the appropriate weight of food, the weight range can be selected is 200g,400g, 600g, 800g and 1000g. After select the weight, press "START/+30s" button to start work, an buzzing sound to notify completion of the operation.

WEIGHT DEFROST
dEF1

The oven allows defrosting of meat, poultry, and seafood. Defrosting time and operating power will be adjusted automatically according to the preset weight. Weight of the food to be defrosted may be between 100 g and 1500 g.

1. Press the Weight Defrost key and the display will show "dEF1".
2. Press the numeric (0-9) keys to enter the weight. For example, enter the weight by pressing "6", "0", "0" for 600g.
3. Press the START key to confirm and start cooking.

NOTE:

During defrosting, the oven will automatically beep twice when halfway through the progress. This is to remind you to turn around the food. After this is done, close the oven door and press the START key.

Large items may be frozen in the center. Therefore, to ensure even thawing, turn them over from time to time and break them into smaller pieces during defrosting.

Drain liquids during defrosting as the juices from food can get hot and cook the food.

TIME DEFROST
dEF2

The oven also allows speed defrosting.

1. Press the Time Defrost and the display will show "dEF2".
2. Press the numeric (0-9) keys to enter the defrosting time. For example, enter the defrosting time by pressing "5", "3", "0" for 5minutes and 30 seconds.
3. Press the START key to confirm and start cooking.

NOTE:

Large items may be frozen in the center. Therefore, to ensure even thawing, turn them over from time to time and break them into smaller pieces during defrosting. Drain liquids during defrosting as the juices from food can get hot and cook the food.

DEFROST/ECO
ECO

In standby mode, press and hold down the button to enter ECO mode, and the display screen will shut down. In ECO mode, press any button to exit ECO mode and the display screen will light up.

QUICK START

Tips for using the oven

Use this function to rapidly heat (100% microwave power) or cook your food. In the standby mode, press the START key and the oven will operate for 30 seconds. With each consecutive press of the START key, the operating time will be extended by 30 seconds.

NOTE:

Pressing the START key again will prolong the cooking time by 30 seconds in all programs except in automatic mode, multi-step cooking, and in the auto defrost mode.

CHILD LOCK

Use this feature to lock the control panel when you are cleaning or so that children can not use the oven unsupervised. All the buttons are rendered inoperable in this mode.

- 1) Set lock: Hold STOP button about 3 seconds.
- 2) Cancel lock: Hold STOP button about 3 seconds.

CARE OF YOUR MICROWAVE OVEN

1. Turn the oven off and remove the power plug from the wall socket before cleaning.
2. Keep the inside of the oven clean. When food splatters of spilled liquids adhere to oven walls, wipe with a damp cloth. The use of harsh detergent or abrasives is not recommended.
3. The outside oven surface should be cleaned with a damp cloth. To prevent damage to the operating parts inside the oven, water should not be allowed to seep into the ventilation openings.
4. Do not allow the Control Panel to become wet. Clean with a soft, damp cloth, Do not use detergents, abrasives or spray-on cleaners on the control Panel.
5. If steam accumulates inside or around the outside of the oven door, wipe with a soft cloth. This may occur when the microwave oven is operated under high humidity conditions and in no way indicates malfunction of the unit.
6. It is occasionally necessary to remove the glass tray for cleaning. Wash the tray in warm sudsy water or in a dishwasher.
7. The roller ring and oven cavity floor should be cleaned regularly to avoid excessive noise. Simply wipe the bottom surface of the oven with mild detergent, water or window cleaner and dry. The roller ring may be washed in mild sudsy water or dishwasher. Cooking vapours collect during repeated use but in no way affect the bottom surface or roller ring wheels. When removing the roller ring from cavity floor for cleaning, be sure to replace it in the proper position.
8. Remove odors from your oven by combining a cup of water with the juice and skin of one lemon in a deep microwaveable bowl. Microwave for 5 minutes, wipe thoroughly and dry with a soft cloth.

ENVIRONMENT

Do not throw away the appliance with the normal household waste at the end of its life, but hand it in at an official collection point for recycling. By doing this, you help to preserve the environment.

MOUNTING THE MICROWAVE OVEN

INSTALLATION

1. Make sure all the packing materials are removed from the inside of the door.
2. Inspect the oven after unpacking for any visual damage such as:
 - Misaligned Door
 - Damaged Door
 - Dents or Holes in Door Window and Screen
 - Dents in CavityIf any of the above are visible, DO NOT use the oven.
3. This Microwave Oven weighs 11 kg and must be placed on a horizontal surface strong enough to support this weight.
4. The oven must be placed away from high temperature and steam.
5. DO NOT place anything on top of the oven.
6. Keep the oven at least 20 cm away from both sidewalls and 30 cm away from top wall to ensure the correct ventilation.
7. DO NOT remove the turn -table drive shaft.
8. As with any appliance, close supervision is necessary when used by children.
9. Make sure that the AC outlet is easily accessible so that the plug can be removed quickly in an emergency. Otherwise, it should be possible to disconnect the device using a switch from the circuit. In this case, the existing provisions of the electrical safety standards are considered.

The product has to be correctly installed on earthed socket with a single-phase AC (220-240V/50 Hz).
WARNING! THIS APPLIANCE MUST BE EARTHED!
10. This oven requires 1.1 kVA for its input consultation with service engineer is suggested when installing the oven.

CAUTION: This oven is protected internally by a 250V, 8 Amp Fuse.

SPECIFICATIONS

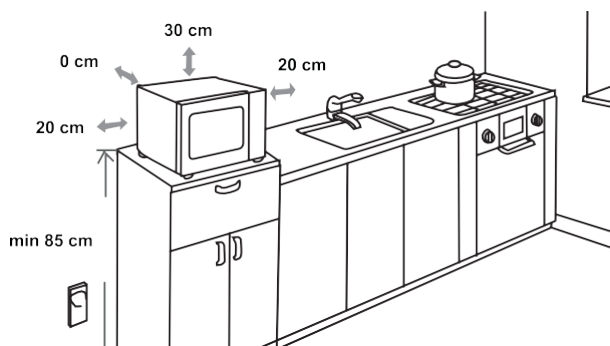
Power consumption.....	220-240V ~50Hz, 1150W
Output power	700W
Operating Frequency.....	2450MHz
Outside Dimensions	451 x 283 x 364 mm
Oven Capacity.....	20 litres
Uncrated Weight.....	Approx. 11 kg
Noise level.....	Lc < 61 dB (A)



This appliance is marked according to the European directive 2012/19/EU on Waste Electrical and Electronic Equipment (WEEE).

This guideline is the frame of a European-wide validity of return and recycling on Waste Electrical and Electronic Equipment.

MOUNTING DIMENSIONS



RADIO INTERFERENCE

Microwave oven may cause interference to your radio, TV, or similar equipment. When interference occurs, it may be eliminated or reduced by the following procedures.

- Clean the door and sealing surface of the oven.
- Place the radio, TV, etc. as far away from your microwave oven as possible.
- Use a properly installed antenna for your radio, TV, etc. to get a strong signal reception.

WE RESERVE THE RIGHT TO MAKE ANY CHANGES THAT DO NOT AFFECT THE FUNCTIONALITY OF THE APPLIANCE.

BEFORE YOU CALL FOR SERVICE

1. If the oven will not perform at all, the information on the display does not appear or the display disappeared:
 - a) Check to ensure that the oven is plugged in securely. If it is not, remove the plug from the outlet, wait 10 seconds and plug it in again securely.
 - b) Check the premises for a blown circuit fuse or a tripped main circuit breaker. If these seem to be operating properly, test the outlet with another appliance.
2. If the microwave power will not function:
 - a) Check to see whether the timer is set.
 - b) Check to make sure that the door is securely closed to engage the safety interlocks. Otherwise, the microwave energy will not flow into the oven.

If none of the above rectify the situation, then contact the nearest authorized service agent.

The appliance for household use for heating food and beverages using electromagnetic energy, for indoor use only.

GUARANTEE & SERVICE

If you need information or if you have a problem, please contact the Hisense Customer Care Centre in your country (you find its phone number in the worldwide guarantee leaflet). If there is no Customer Care Centre in your country, go to your local Hisense dealer or contact the Service department of Hisense domestic appliances.

For personal use only!

WISHES YOU A LOT OF PLEASURE WHILE USING YOUR APPLIANCE

Hisense

ESTIMADO CLIENTE

Le agradecemos haber escogido nuestro producto. Pronto descubrirá que puede confiar en él.

Para facilitarle el manejo adjuntamos amplias instrucciones que le ayudarán a familiarizarse con su nuevo aparato lo antes posible. Le rogamos que lea detenidamente las instrucciones antes del primer uso.

Primero debe sobre todo cerciorarse de que su aparato esté en buen estado. En caso de identificar algún daño de transporte, comuníquese con su representante de ventas o el almacén regional que le entregó el producto. El número de teléfono está indicado en la factura o en el talón de entrega.

Le deseamos que utilice su aparato con satisfacción.



El aparato está destinado exclusivamente al uso doméstico para calentar alimentos y bebidas por medio de energía electromagnética. Debe ser utilizado sólo en lugares cerrados.

INSTRUCCIONES DE USO

Las instrucciones de uso están destinadas al usuario. Describen el aparato y su manejo. Están adaptadas a varios tipos de aparatos, por eso pueden incluir descripciones de funciones de las cuales su aparato no dispone.

CONSUMO ENERGÉTICO

Información del producto sobre el consumo energético y el tiempo máximo necesario para alcanzar el modo de bajo consumo aplicable.

Modo Apagado	0.8W
--------------	------

El tiempo máximo necesario para que el horno microondas alcance automáticamente el modo de bajo consumo aplicable.	15 minutos
--	------------

Nos reservamos el derecho a realizar cualquier cambio y a modificar los errores contenidos en las instrucciones de uso.



Nunca toque las superficies de calefacción o aparatos de cocina. Ellos se calientan durante el funcionamiento. Mantenga a los niños a una distancia segura. Existe el riesgo de quemaduras!



La energía de microondas y de alto voltaje! No quite la cubierta.

Este aparato puede ser utilizado por niños de más de 8 años y por personas con discapacidad física, motriz o mental o por personas que carecen de experiencias o conocimientos necesarios, pero sólo bajo supervisión adecuada y con tal de que hayan recibido instrucciones sobre el uso seguro del aparato y sobre los riesgos del uso inadecuado. Los niños no deben jugar con el aparato. Los niños no deben limpiar el aparato o efectuar en él operaciones de mantenimiento sin supervisión adecuada.

- **ADVERTENCIA:** Cuando el aparato se utilice en el modo de combinación, los niños sólo deben utilizar el horno bajo supervisión de un adulto debido a las temperaturas generadas; (sólo para el modelo con función de grill)

- **ADVERTENCIA:** Algunas partes del aparato que son de fácil acceso se calientan mucho durante su funcionamiento. Tener cuidado de no tocar los dispositivos de calentamiento. Los niños que tengan menos de 8 años deben estar todo el tiempo bajo supervisión.
- **ADVERTENCIA:** Si la puerta o los cierres de la puerta están dañados, no se debe utilizar el horno hasta que haya sido reparado por una persona competente;
- **ADVERTENCIA:** Es peligroso para personas no competentes realizar operaciones de reparación que impliquen quitar las carcasas que protegen de la exposición a la energía microondas.
- **ADVERTENCIA:** no se pueden calentar líquidos u otros alimentos en recipientes cerrados ya que es posible que exploten.
- **ADVERTENCIA:** Este aparato no debe ser usado por personas (adultos o niños) con su capacidad física, psíquica o sensorial reducida, ni por quienes no tengan los conocimientos y la experiencia necesarios, a menos que sean supervisados o instruidos acerca del uso del aparato por una persona responsable de su seguridad. Asegúrese de que los niños no jueguen con este aparato.
- No quite las patas del horno, no bloquee las ranuras de ventilación del horno.
- Utilice sólo utensilios que sean aptos para su uso en hornos microondas.

- Cuando caliente alimentos en recipientes de plástico o de papel, vigile el horno debido a la posibilidad de ignición;
- Si se observa humo, apague o desconecte el aparato y mantenga la puerta cerrada para ahogar cualquier llama;
- El calentamiento de bebidas con microondas puede producir un hervido posterior, por lo tanto, debe tener cuidado cuando maneje el recipiente;
- Los contenidos de los biberones y potitos se deben remover o sacudir y se debe comprobar la temperatura antes de servirlos para evitar quemaduras;
- No se deben calentar huevos con cáscara o huevos duros en los hornos microondas ya que pueden explotar incluso tras terminar con el uso del microondas;
- Cuando limpie superficies de la puerta, cierres, la cavidad del horno, utilice sólo detergentes suaves y no abrasivos aplicados con una esponja y un paño suave.
- El horno se debe limpiar de forma regular y se deben eliminar los depósitos de alimentos;
- No mantener el horno limpio puede provocar el deterioro de las superficies, lo que puede afectar negativamente a la vida del aparato y dar como resultado posibles situaciones peligrosas;
- Si el cable de alimentación está dañado, el fabricante o su agente o una persona con una cualificación similar debe cambiarlo para evitar peligros.

A continuación, como en todos los aparatos, le presentamos determinadas normas de seguridad que debe seguir para asegurar un rendimiento óptimo de este horno:

1. Mantenga siempre la bandeja de cristal, el brazo giratorio, el acople y la rejilla giratoria en su lugar cuando utilice el horno.
2. No utilice el horno para otro motivo distinto a la preparación de alimentos, como secar ropa, papel u otros elementos que no sean alimentos, ni para fines de esterilización.
3. No utilice el horno cuando esté vacío. Esto puede dañar el horno.
4. No utilice la cavidad del horno como zona de almacenamiento para papeles, libros de cocina, etc.
5. No cocine alimentos recubiertos por membranas, como yemas de huevo, patatas, hígados de pollo, etc. si haber pinchado varias veces la membrana con un tenedor.
6. No introduzca objetos en las ranuras de la carcasa exterior.
7. No quite partes del horno como las patas, el acople, tornillos, etc.
8. No cocine alimentos directamente sobre la bandeja de cristal. Coloque los alimentos en recipientes de cocina apropiados antes de colocarlos en el horno.
10. Los utensilios para microondas se deben utilizar sólo de acuerdo a las instrucciones del fabricante.
11. No intente freír alimentos en este horno.
12. Recuerde que un horno microondas sólo calienta el líquido de un recipiente más que el recipiente en sí. Por lo tanto, aunque la tapa de un recipiente no esté caliente al tacto cuando lo saque del horno, recuerde que el alimento / líquido del interior puede soltar la misma cantidad de vapor y/o salpicaduras cuando se quita la tapa que en una cocción convencional.
13. Compruebe siempre la temperatura de los alimentos personalmente especialmente si está calentando o cocinando alimentos /líquidos para bebés. Se recomienda no consumir los alimentos /líquidos directamente sacados del horno, sino dejarlos durante unos minutos y moverlos para distribuir el calor uniformemente.

IMPORTANTE - MATERIAL DE COCINA QUE NO SE DEBE UTILIZAR EN UN HORNO MICROONDAS

- No utilice recipientes metálicos o con asas metálicas.
- No utilice objetos con bordes metálicos.

- No utilice cables recubiertos de papel para sujetar las bolsas de plástico.
 - No utilice platos de melamina ya que contienen un material que puede absorber la energía de microondas. Esto puede provocar que el plato se rompa y ralentizará la velocidad de cocinado.
 - No utilice materiales de la marca Centura. El vidrio no es apto para el uso en microondas. No se deben utilizar tazas de asa cerrada de la marca Corelle.
 - No cocine en un recipiente de apertura restringida, como botellas con tapa o aceiteras, ya que pueden explotar si se calientan en un horno microondas.
 - No utilice termómetros convencionales para carne o caramelo.
 - Existen termómetros específicos para cocinar en microondas. Son los que se pueden utilizar.
14. Los alimentos que contienen una mezcla de agua y grasa deben permanecer 30-60 segundos en el horno tras apagarlo. Esto permite que la mezcla se asiente y evita burbujeos cuando se coloca una cuchara en los alimentos /líquidos o cuando se añade una pastilla de caldo.
 15. Cuando prepare/cocine alimentos/líquidos, recuerde que hay determinados alimentos, por ejemplo, pasteles de Navidad, mermeladas y carne picada que se calientan rápidamente. Cuando caliente o cocine alimentos con un alto contenido en grasa o azúcar, no utilice recipientes de plástico.
 16. Los utensilios de cocina se pueden calentar debido al calor transferido desde los alimentos calientes. Esto es especialmente cierto si se ha cubierto la parte superior y las asas del recipiente con film transparente. Es posible que se necesiten guantes de cocina para utilizar el utensilio.
 17. Para reducir el riesgo de incendio en la cavidad del horno:
 - a) No cocine los alimentos demasiado tiempo. Preste atención al microondas si ha colocado papel, plástico u otros materiales combustibles dentro del horno para facilitar la cocción.
 - b) Quite los precintos metálicos de la bolsa de papel o de plástico antes de colocar la bolsa en el horno.
 - c) Si los materiales del interior del horno se incendiaran, mantenga la puerta del horno cerrada, apague el horno y desconéctelo de la toma de corriente o corte la corriente en el fusible del panel de interruptores de circuito.

PANEL DE MANDO



Potato



Pasta



Pizza



Popcorn



Vegetable



Beverage



Meat



Reheat



Fish

Microw.

Defrost/ECO

Timer/Mute

1

2

3

4

5

6

7

8

9

STOP

Cancel

0

Clock

START

+30 Sec

VISUALIZADOR

Mostrar el reloj, el tiempo de cocción y la configuración.

«DEFROST» (DESCONGELAR)

Utilice esta tecla para descongelar los alimentos por tiempo y por peso.

«MICROW.» (MICROONDAS)

Utilice esta tecla para seleccionar el nivel de potencia del microondas.

«CLOCK» (RELOJ)

Mantenga presionada esta tecla durante 3 segundos para configurar el reloj.

«TIMER» (TEMPORIZADOR)

Utilice esta tecla para configurar la función de temporizador.

ICONOS

Utilizar estas teclas para configurar la hora y el peso de los alimentos y para elegir los programas del menú automático.

DESCONGELACIÓN/ECO

Utilice esta tecla para descongelar los alimentos por tiempo y por peso. Use esta tecla para ahorrar energía.

TEMPORIZADOR/Silenciar

En modo de espera, presione este botón para ingresar a la selección de sonido encendido/apagado.

0 - 9

Utilizar estas teclas para introducir el tiempo de cocción y el peso. También pueden configurar la hora.

«STOP/CANCEL» (DETENER/CANCELAR)

Utilice esta tecla para detener o cancelar la configuración. Manténgala presionada durante 3 segundos para activar el bloqueo infantil. bloqueo infantil.

START/+30 SEC

Utilizar esta tecla para realizar un inicio rápido de la cocción de 30 segundos, aumentar el tiempo de cocción en 30 segundos (con cada pulsación) o confirmar los ajustes de cocción.

INSTRUCCIONES DE MANDO

RELOJ

El horno está equipado con un reloj digital. Cuando el horno está en modo de espera, puede configurar el reloj presionando la tecla «Clock» (Reloj) durante 3 segundos.

1. Presione las teclas numéricas (0-9) e introduzca la hora. Por ejemplo, si la hora actual es 12:30, debe presionar «1», «2», «3», «0». La hora que introduzca debe estar entre 1 y 24, y los minutos entre 0 y 59.
2. Presione la tecla «Start» para completar la configuración del reloj. El signo «:» comenzará a parpadear. Se ha completado la configuración del reloj.

NOTA:

Por favor, asegúrese de haber ajustado el reloj antes de usarlo.

TEMPORIZADOR/SILENCIAR TEMPORIZADOR

Con el temporizador de cuenta regresiva puede ajustar el recordatorio que le avisará después de haber transcurrido el tiempo ajustado.

1. Presione la tecla «Timer» (Temporizador). El visualizadormostrará »:«.
2. Presionar las teclas numéricas (0-9) e introducir la hora del temporizador. El tiempo más largo que puede ajustar es de 99 minutos y 99 segundos.
3. Presionar la tecla "START" para confirmar la configuración.
4. Una vez que se alcance el tiempo transcurrido, el microondas sonará y volverá a su estado original.

NOTA:

- Cuando el temporizador de cocina está funcionando, no se pueden utilizar otras funciones.
- Cuando el microondas no está en uso, esta función le permite usar el microondas como temporizador.
- Por favor, asegúrese de que el reloj esté configurado.

TEMPORIZADOR/SILENCIAR SILENCIAR

En modo de espera, mantenga presionado este botón para entrar a la selección de sonido encendido/apagado, y mostrar la correspondiente información. Después de seleccionar si desea encender o apagar el sonido, presione el botón de «DETENER» para salir. El sonido del zumbador también se puede encender o apagar de acuerdo con los ajustes correspondientes.

«MICROW.»
(MICROONDAS).

Hay diez niveles de potencia de microondas: 100P, 90P, 80P, 70P, 60P, 50P, 40P, 30P, 20P y 10P, respectivamente. Presione el botón «Microondas» repetidamente y seleccione la opción de potencia de microondas que desee. Presione los botones numéricos 0~9 para introducir el tiempo de cocción; el tiempo máximo que puede introducir es 99:99. Tras introducir el tiempo de cocción, presione la tecla «START/+ 30s» para comenzar. Un zumbido le notificará cuando finalice la operación.

NOTE:

Se deben utilizar diferentes potencias para cada tipo de alimento.

«HIGH» (ALTA)	100 % y 90 % de potencia de salida	para una cocción rápida y completa
«M.High» (medio alta)	80 % y 70 % de potencia de salida	para una cocción medio rápida
«Med» (media)	60 % y 50 % de potencia de salida	para cocinar al vapor
«M.Low» (medio baja)	40 % y 30 % de potencia de salida	para descongelar alimentos
«LOW» (BAJA)	20 % y 10 % de potencia de salida	para mantener el calor

COCCIÓN AUTOMÁTICA

Para alimentos en el menú automático debe ajustar sólo el tipo y la masa/unidad del alimento. El horno le ayudará a ajustar la potencia y el tiempo.

Por ejemplo: Si desea cocinar 2 trozos de patata, por favor siga los siguientes pasos.

1. Presionar la tecla de la "Potato" repetidamente para seleccionar la opción de peso de su comida. Por favor, consultar la tabla del menú de cocción automática para obtener más información.
2. Presionar la tecla "START" para confirmar e iniciar la cocción.

Menú	Pantalla	Peso
A1 Papa	250	250 g
	500	500 g
	750	750 g
A2 pasta	50	50 g
	100	100 g
	150	150 g

A3 Pizza	200	200 g
	400	400 g
A4 Palomitas de maiz	100	100 g
A5 Verdura (congelada)	200	200 g
	400	400 g
	600	600 g
A6 Bebidas	1	250 ml
	2	500 ml
	3	750 ml
A7 Carne	200	200 g
	400	400 g
	600	600 g
A8 Pescado	200	200 g
	400	400 g
	600	600 g

NOTA:

- En el caso de algunos alimentos, es posible que tenga que darles la vuelta durante la cocción para asegurarse de que se cocinen completamente y se doren de forma uniforme.
- La densidad y el grosor de los alimentos pueden afectar a su tiempo de cocción.
- Todos los tiempos de cocción son sólo guías aproximadas; deberá ajustarse a los gustos y recetas preferidos.
- Utilizar únicamente recipientes adecuados para microondas y film transparente en el microondas. Perforar la película con un tenedor antes de cocinar.

RECALENTAR

La función de recalentamiento sirve principalmente para que los usuarios calienten los alimentos según su peso; mantenga presionado el botón «Reheat» y seleccione el peso del alimento. Puede seleccionar entre 200 g, 400 g, 600 g, 800 g y 1000 g. Después de seleccionar el peso, presione el botón «START/+30s» para comenzar. Un zumbido le notificará cuando la operación haya finalizado.

En el horno se puede descongelar diferentes tipos de carnes y mariscos. El tiempo de descongelación se ajusta automáticamente en función del peso preajustado. El peso de alimentos congelados puede ser entre 100 g y 1500 g.

1. Presionar la tecla "Weight Defrost" una vez y en el visualizador aparecerá »dEF1 «.
2. Presionar las teclas numéricas (0-9) para introducir el peso. Por ejemplo, introducir el peso pulsando "6", "0", "0" para 600g.
3. Presionar la tecla "START" para confirmar e iniciar la cocción.

NOTA:

Los alimentos de gran tamaño pueden estar congelados en el centro. Por lo tanto, para asegurar una descongelación uniforme, hay que darles la vuelta de vez en cuando y partarlos en trozos más pequeños durante el descongelamiento.

Ecurrir los líquidos durante el descongelamiento ya que los jugos de los alimentos pueden calentarse y cocinar los alimentos.

El horno dispone también de la función de descongelación rápida.

1. Presionar la tecla "Time Defrost" una vez y en el visualizador aparecerá »dEF2 «.
2. Presionar las teclas numéricas (0-9) para introducir el tiempo de descongelamiento. Por ejemplo, introducir el tiempo de descongelamiento presionando "5", "3", "0" para 5 minutos y 30 segundos.
3. Presionar la tecla "START" para confirmar e iniciar la coccion.

En modo de espera, mantenga presionado este botón para entrar al modo ECO; la pantalla se apagará. En el modo ECO, presione cualquier botón para salir del modo ECO; la pantalla se iluminará.

NOTA:

Durante la descongelación el horno emitirá dos pitidos al transcurrir la mitad del tiempo ajustado para recordarle de dar vuelta a los alimentos. Después de hacerlo debe cerrar la puerta y pulsar la tecla START. Los alimentos de gran tamaño pueden estar congelados en el centro. Por lo tanto, para asegurar una descongelación uniforme, hay que darles la vuelta de vez en cuando y partirlos en trozos más pequeños durante el descongelamiento.

Escurrir los líquidos durante el descongelamiento ya que los jugos de los alimentos pueden calentarse y cocinar los alimentos.

INICIO RÁPIDO**Consejos de utilización**

Esta función (100 % de microondas) se utiliza para calentar o cocer rápidamente los alimentos. En el estado de espera pulse la tecla "START" y el horno empezará a funcionar por 30 segundos. Con cada nueva pulsación de la tecla "START" el tiempo aumenta de 30 segundos.

NOTA:

Con cada nueva pulsación de la tecla "START" el tiempo aumenta de 30 segundos en todos los programas, excepto en él de cocción automática, de cocción paso a paso y de descongelación rápida.

SEGURIDAD PARA NIÑOS

Use esta función para bloquear el panel de control cuando esté limpiando o para que los niños no puedan usar el horno sin la supervisión de un adulto. Todos los botones se bloquean cuando este modo está activado.

- 1) Activar el bloqueo: mantenga presionado el botón «STOP» durante unos 3 segundos.
- 2) Desactivar el bloqueo: mantenga presionado el botón «STOP» durante unos 3 segundos.

CUIDADOS DE SU HORNO MICROONDAS

1. Apague el horno y desconecte el enchufe de la toma de pared antes de limpiar.
2. Mantenga limpio el interior del horno. Cuando las salpicaduras de los alimentos se adhieran a las paredes del horno, límpielas con un paño húmedo. No se recomienda el uso de detergentes abrasivos.
3. Las superficies exteriores se deben limpiar con un paño húmedo. Para evitar daños a las partes operativas del interior del horno, no se debe permitir que entre agua en las ranuras de ventilación.
4. No permita que el panel de control se moje. Límpielo con un paño suave húmedo, no utilice detergentes, abrasivos o limpiadores en spray sobre el panel de control.
5. Si se acumula vapor dentro o alrededor de la puerta del horno, límpielo con un paño suave. Esto puede ocurrir cuando se utiliza el horno microondas en condiciones de gran humedad y de ningún modo indica una disfunción de la unidad.
6. A veces es necesario quitar la bandeja de cristal para limpiarla. Lave la bandeja con agua jabonosa templada o en el lavavajillas.
7. El anillo giratorio y el suelo del horno se deben limpiar de forma regular para evitar el ruido excesivo. Simplemente limpie la superficie inferior del horno con un detergente suave, agua o limpiador para ventanas y séquela. El anillo giratorio se puede lavar con agua jabonosa o en el lavavajillas. Los vapores de cocinado se acumulan durante el uso repetido, pero no afectan a la superficie inferior o a las ruedas del anillo giratorio.
Cuando quite el anillo giratorio de su cavidad para limpiarlo, asegúrese de volver a colocarlo en la posición apropiada.
8. Elimine los olores de su horno combinando una taza de agua con el zumo y la piel de un limón en un cuenco hondo para microondas. Cocínelo durante 5 minutos, limpie bien y seque con un paño suave seco.
9. Cuando sea necesario cambiar la luz del horno, consulte a su distribuidor para que la cambien.

MEDIO AMBIENTE

Al final de su vida útil, no tire el aparato junto con la basura normal del hogar. Llévelo a un punto de recogida oficial para su reciclado. De esta manera ayudará a conservar el medio ambiente.

INSTALACIÓN

1. Asegúrese de que todos los materiales de empaquetado se eliminan del interior de la puerta.
2. inspeccione el horno tras desempaquetarlo en busca de daños visuales como:
 - Puerta desalineada.
 - Puerta dañada
 - Golpes o agujeros en la ventana de la puerta y en la pantalla
 - Golpes en la cavidad
 - Si ve alguno de los anteriores, NO utilice el horno.
3. este horno microondas pesa 11 kg y se debe colocar en una superficie horizontal con la fuerza suficiente para soportar su peso.
4. El horno se debe colocar alejado de altas temperaturas y del vapor.
5. NO coloque objetos encima del horno.
6. Mantenga el horno a una distancia mínima de 20 cm de ambas paredes laterales y de 30 cm de la pared superior para garantizar una correcta ventilación.
7. NO quite el eje del plato giratorio.
8. Como con cualquier aparato, es necesario vigilarlo de cerca cuando es utilizado por niños. ADVERTENCIA - ESTE APARATO DEBE ESTAR CONECTADO A UNA TOMA DE TIERRA.
9. El enchufe debe estar cerca del cable de alimentación.
10. Este horno requiere 1,1 kVA para su entrada, consulte a su técnico de servicio cuando instale el horno.

¡CUIDADO! El horno dispone de su propia protección (fusible 250 V, 8 A).

ESPECIFICACIONES

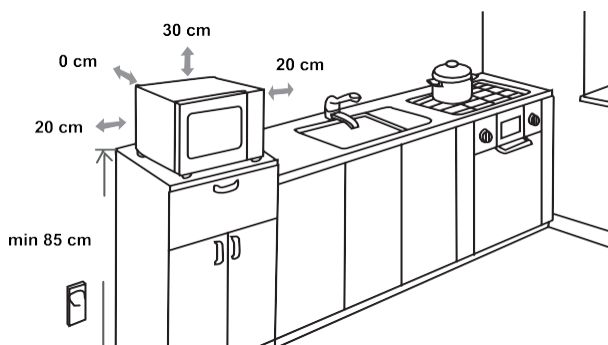
Consumo de energía:220-240V~50Hz, 1150W
Salida:700W
Frecuencia de operación: 2450MHz
Dimensiones exteriores:.....451x 283 x 364 mm
Capacidad del horno: 20 litros
Peso desembalado:aprox. 11 kg
Nivel de ruido (Lc IEC): < 61 dB (A)



Este aparato está marcado de acuerdo a la directiva europea 2012/19/EU sobre disposición de equipos eléctricos y electrónicos (DEEE).

Esta guía es el marco de validez europea para la devolución y reciclado de equipos eléctricos y electrónicos.

MEDIDAS DE ENCASTRAMIENTO



INTERFERENCIAS DE RADIO

El horno microondas puede provocar interferencias a su aparato de radio, TV o similares. Cuando se produzcan interferencias, se pueden eliminar o reducir con los siguientes procedimientos.

Limpie la puerta y la superficie de sellado del horno. Coloque la radio, el TV, etc. lo más alejado posible de su horno microondas.

Utilice una antena instalada apropiadamente para su radio, TV, etc. para obtener una recepción de señal más fuerte.

NOS RESERVAMOS EL DERECHO A CAMBIOS QUE NO INFLUYEN EN LA FUNCIONALIDAD DEL APARATO.

ANTES DE LLAMAR AL CENTRO DE REPARACIONES

1. Si el horno no funciona en absoluto, no aparecerá nada en la pantalla:
 - a) Compruebe que el horno está bien conectado. Si no, quite el enchufe de la toma de corriente, espere 10 segundos y vuelva a conectarlo firmemente.
 - b) Busque fusibles de circuito quemados o un interruptor de corriente principal saltado. Si éstos parecen funcionar correctamente, compruebe la toma con otro aparato.
2. Si el horno microondas no funciona:
 - a) Compruebe si se ha establecido el temporizador.
 - b) Compruebe que la puerta está bien cerrada y que se ha enganchado en los pestillos de seguridad. De lo contrario, la energía de microondas no fluirá dentro del horno.
Si nada de lo anterior rectifica la situación, contacte con el agente de reparaciones autorizado más cercano.

Este aparato de uso doméstico es para calentar alimentos y bebidas utilizando energía electromagnética, sólo para uso interior.

GARANTÍA Y SERVICIO

Si necesita información o tiene algún problema, en contacto con el Servicio de Atención al Cliente de Hisense en su país (hallará el número de teléfono en el folleto de la garantía mundial). Si no hay Servicio de Atención al Cliente de Hisense en su país, diríjase a su distribuidor local Hisense o póngase en contacto con el Service Department de Hisense Domestic Appliances.

¡SÓLO PARA USO PERSONAL!

LE DESEAMOS QUE DISFRUTE MIENTRAS UTILIZA SU APARATO

Hisense

GENTILE ACQUIRENTE

La ringraziamo sinceramente per il Suo acquisto. Crediamo che Lei presto troverà una ampia conferma che ci si può affidare davvero sui nostri prodotti. Per rendere l'utilizzo dell'apparecchio più semplice, alleghiamo questo manuale di istruzioni esauriente.

Le istruzioni La aiuteranno a familiarizzare con il Suo nuovo apparecchio. Per favore, leggerle attentamente prima di utilizzare l'apparecchio per la prima volta.

In ogni caso, si prega di accertarsi che l'apparecchio fornito sia intatto. Se si riscontra qualsiasi danno dovuto al trasporto, contattare il proprio venditore o il magazzino locale da dove il prodotto è stato consegnato. Il numero di telefono si trova sul conto o sulla ricevuta di consegna.

Le auguriamo un uso piacevole del Suo nuovo elettrodomestico.



L'apparecchio è destinato esclusivamente per l'uso domestico per riscaldare alimenti e bevande utilizzando l'energia elettromagnetica. Solo per uso in ambienti interni.

ISTRUZIONI PER L'USO

Queste istruzioni sono destinate per l'utente. Esse descrivono l'apparecchio e il modo come usarlo. Le istruzioni riguardano i diversi tipi di apparecchi, quindi si possono trovare alcune descrizioni di funzioni che potrebbero non essere presenti nel vostro apparecchio.

CONSUMO ENERGETICO

Informazioni sul prodotto relative al consumo energetico e al tempo massimo per entrare nella modalità di basso consumo applicabile.

Modalità di spegnimento	0.8W
-------------------------	------

Il tempo massimo richiesto al forno a microonde per passare automaticamente alla modalità o condizione di basso consumo applicabile.	15 minuti
--	-----------

Ci riserviamo il diritto di apportare eventuali modifiche o errori nelle istruzioni per l'uso.



Non toccare mai le superfici di riscaldamento o apparecchi di cottura. Essi surriscaldarsi durante il funzionamento. Tenere i bambini a distanza di sicurezza. Vi è il rischio di ustioni!



L'energia a microonde e ad alta tensione! Non rimuovere il coperchio.

ATTENZIONE! L'apparecchiatura e le parti accessibili diventano calde durante l'utilizzo. È necessario prestare attenzione a non toccare gli elementi riscaldanti. Tenere lontani i bambini di età inferiore a 8 anni a meno che non siano costantemente sorvegliati. Questa apparecchiatura può essere utilizzata da bambini di età superiore a 8 anni e da persone con ridotte capacità mentali, sensoriali o fisiche oppure con poca esperienza o conoscenza solo se sorvegliate o precedentemente istruite in merito all'utilizzo sicuro dell'apparecchiatura e se hanno compreso i rischi che comporta. I bambini devono usare il forno soltanto in presenza di un adulto. La pulizia e la manutenzione non devono essere eseguite dai bambini a meno che questi non abbiano almeno 8 anni e siano sorvegliati.

- **AVVERTENZA:** quando l'apparecchio viene usato nel modo combinato si sprigionano le temperature molto alte (solo gli apparecchi con la funzione del grill).

- L'uso da parte dei bambini va sorvegliato dagli adulti.
- **AVVERTENZA** : Se la guarnizione dello sportello è danneggiato, l'uso dell'apparecchio è vietato finchè non riparato da un tecnico autorizzato.
- **AVVERTENZA:** La riparazione d'apparecchio può essere eseguito solo da un tecnico autorizzato.
- **AVVERTENZA:** non riscaldare liquidi o altre pietanze nei recipienti troppo piccoli poichè possono esplodere.
- Non eliminare i piedini dal forno e non coprire le aperture di aerazione.
- Usare gli accessori adatti per l'uso nel microonde.
- Quando scaldate il cibo nei recipienti di plastica o di carta; quest'ultimi vanno sorvegliati durante il processo di riscaldamento per il pericolo di incendio del recipiente.
- Se notate il fumo, spegnete l'apparecchio e staccatelo dalla rete elettrica, mentre lo sportello lasciate chiuso per soffocare possibile incendio all'interno.
- Quando scaldate le bevande nel microonde, queste si scaldano molto velocemente e possono bollire e fuoriuscire dal recipiente. Fate molta attenzione.
- Per evitare le ustioni, prima dell'uso mischiare il contenuto e scuotere il biberon di latte per i neonati. Verificare sempre la temperatura del cibo o del liquido.
- Nel microonde non si devono scaldare le uova con la buccia o le uova sode poichè possono esplodere dopo che il riscaldamento nel microonde è terminato.

- Quando pulite gli interni del forno e le guarnizioni, dovete usare i detersivi delicati (non abrasivi) e una spugna morbida.
- Pulire regolarmente il forno dai residui di cibo.
- In quanto non provvedete alla regolare manutenzione e pulizia del forno, questo può provocare il deterioramento delle superfici, la diminuzione della lunghezza di vita d'apparecchio e aumento di rischi durante il suo uso.
- Se il cavo di collegamento è danneggiato bisogna essere sostituito dal produttore o da un tecnico autorizzato.
- Fare attenzione che il cavo di alimentazione non sia posizionato sui bordi o sulla superficie del piano di lavoro.
- Non sostituire mai la lampadina interna del forno. La stessa deve essere sostituita da un centro di assistenza autorizzata Hisense.
- Non cercate di sostituire da soli la lampadina del forno, e fatela sostituire solo da personale autorizzato. Se la lampadina si guasta, rivolgetevi al rivenditore o ad un tecnico di servizio Hisense autorizzato.
- **ATTENZIONE!** Non utilizzare su nessuna parte del forno detersivi per forni commerciali, getti a vapore, abrasivi, detersivi ruvidi o che contengono idrossido di sodio né spugne abrasive. Pulire il forno a intervalli normali e rimuovere tutti i residui di alimenti.

In Di seguito troverete alcune regole e norme di sicurezza che, come con per gli altri apparecchi, bisogna rispettare per assicurarsi un' uso sicuro e un funzionamento ottimale del forno:

1. Durante il funzionamento del forno tutti gli accessori all'interno del forno devono essere al loro posto (vasoio girevole,..) il piatto di vetro, il braccio del rullo, il collegamento elettrico e l'incastro per il rullo devono essere sempre al loro posto.
2. Non usare il forno per nessun altro scopo se non per la cottura di alimenti; non asciugate dentro vestiti, carta e altri oggetti e non usatelo per la sterilizzazione.
3. Non accendere mai il forno a vuoto perché potrebbe danneggiarsi.
4. Non conservare niente all'interno del forno p.e come carta, libri di ricette, etc.
5. Non cucinate gli alimenti con la membrana, tipo tuorli d'uova, patate, fegato di pollo ..che senza prima non avete bucato fare dei fori con la forchetta sulla membrana in nelle varie parti.
6. Non inserire alcun oggetto nelle aperture all'esterno del forno.
7. Non togliere rimuovere mai le parti del forno tipo piedini, viti, chiavistelli chiusure, etc.
8. Non cucinate gli alimenti direttamente sul vasoio piatto di vetro ma utilizzate sempre le stoviglie adatte o altri accessori adatti.

IMPORTANTE: GLI ACCESSORI CHE NON DEVONO ESSERE USATI NEL MICROONDE

- Non usate le pentole di metallo o le stoviglie con le maniglie manici di in metallo.
- Non usate le stoviglie con bordi in metallo.
- Non usate i sigilli di metallo ricoperti di carta per la chiusura delle buste di plastica.
- Non usare le stoviglie di in melamina che in quanto contengono un materiale che assorbono assorbe l'energia del a microonde. Questo può provocare che la stoviglia si rompe lo scoppio o la bruciatura della stoviglia, o si brucia oppure inoltre rallenta il riscaldamento/cottura.
- Non usare le stoviglie non adatte per il senza l'adeguato rivestimento per l'uso del forno a microonde. Altrettanto Inoltre non usare le tazze coperte chiuse e con la maniglia i manici.
- Non preparare il cibo alimenti o le bevande nel in recipientie con l'apertura stretta p.e. quali nella bottiglia, perché si può possono rompere spaccare durante il riscaldamento.
- Non usare termometri abituali per carne e dolci. Potete usare solo termometri destinati ad' all'uso nei forni a microonde.

9. Gli accessori per il forno a microonde possono essere usati secondo le istruzioni del produttore.
10. Non cercate di friggere il cibo nel forno a microonde.
11. Fate attenzione che nel microonde si scaldia solo il liquido, ma non anche il recipiente. E' È possibile che quando togliete il coperchio, il liquido nella vaschetta nel recipiente produce il emana vapore oppure fuoriescono le goccioline anche se il coperchio stesso non è caldo.
12. Prima di consumare il cibo utilizzo bisogna sempre verificarne la temperatura del cibo, soprattutto se è destinato ai bambini. Consigliamo di non consumare il cibo/le bevande immediatamente dopo averlie tolte dal forno a microonde. Bisogna lasciarle riposare per qualche minuto e mescolarle in modo che la temperatura si distribuisca omogeneamente.
13. Il cibo che contiene un miscuglio di il grasso e l'acqua deve rimanere dentro il forno dopo lo spegnimento per altri 30 – 60 secondi. Facendo così, lascerete calmare In tal modo il tutto miscuglio si stabilizza ed eviterete l'uscita la fuoriuscita di bolle quando entrerete inserite con il cucchiaino o metterete dentro il dado.
14. Durante la preparazione di certe pietanze come p.e. quali carne macinata, marmellata, budini, dovete fare l'attenzione perché le pietanze si scaldano molto velocemente. Quando scaldate o cuocete le pietanze con una grande concentrazione di grassi o di zuccheri non dovete usare le vaschette in plastica.
15. Gli accessori che usate per la preparazione dei cibi nel forno a microonde si possono scaldare molto perché il cibo emana il calore. Questo vale soprattutto per il coperchio o le maniglie manici ricoperte di plastica. Per prendere queste stoviglie usate i guanti o le presine da cucina.
16. Per diminuire la possibilità d'incendio all'interno del forno:
 - a) Attenzione a non cuocere troppo a lungo gli alimenti. Tenere sotto controllo il processo di riscaldamento quando nel forno sono presenti gli accessori di carta, plastica o altri materiali facilmente infiammabili.
 - b) Prima di inserire la busta nel forno eliminare senza i sigilli di metallo per chiudere le buste.
 - c) Se l'oggetto nel forno s'incendia, lasciare lo sportello del forno chiuso, spegnere il forno e staccare la spina dalla rete elettrica o rimuovere il fusibile principale dal pannello dei fusibili.

PANNELLO DI CONTROLLO



Potato



Pasta



Pizza



Popcorn



Vegetable



Beverage



Meat



Reheat



Fish

Microw.

Defrost/ECO

Timer/Mute

1

2

3

4

5

6

7

8

9

STOP

Cancel

0

Clock

START

+30 Sec

DISPLAY

Visualizzare l'orologio, il tempo di cottura e le impostazioni.

SCONGELARE

Utilizzare questo tasto per scongelare il cibo in base al tempo o al peso.

MICROW.

Utilizzare questo tasto per selezionare il livello di potenza del microonde.

OROLOGIO

Tenere premuto questo tasto per 3 secondi per impostare l'orologio.

TIMER

Utilizzare questo tasto per impostare la funzione timer.

ICONE

Utilizzare questi tasti per impostare il tempo e il peso degli alimenti e per scegliere i programmi automatici.

SCONGELAMENTO/ECO

Utilizzare questo tasto per scongelare il cibo in base al tempo e al peso, Utilizzare questo tasto per risparmiare energia.

TIMER/Muto

Premere questo pulsante in modalità standby per accedere alla selezione di attivazione/disattivazione del suono

0 - 9

Utilizzare questi tasti per impostare il tempo e il peso di cottura. Questi tasti possono essere utilizzati anche per impostare l'ora.

STOP/ANNULLA

Utilizzare questo tasto per interrompere o annullare l'impostazione. Tieni premuto 3 secondi per il blocco bambini.

START/+30 SEC

Utilizzare questo tasto per avviare una cottura rapida di 30 secondi, aumentare il tempo di cottura di 30 secondi (con ogni pressione) o confermare le impostazioni di cottura.

ISTRUZIONI DI FUNZIONAMENTO

OROLOGIO

Il forno è dotato di un orologio digitale. Quando il forno è in modalità standby, è possibile impostare l'orologio premendo il tasto Orologio per 3 sec.

1. Premere i tasti numerici (0-9) e impostare l'ora. Ad esempio, per inserire l'ora corrente 12:30, è necessario premere "1", "2", "3", "0". L'ora inserita deve essere compresa tra 1-24 e i minuti devono essere compresi tra 0-59.
2. Premere il tasto Start per completare l'impostazione dell'orologio. ":" inizierà a lampeggiare. L'impostazione dell'orologio è completata.

NOTA:

Assicurarsi di aver impostato l'orologio prima dell'uso.

TIMER/MUTO

TIMER

Con il conto alla rovescia del tempo si può impostare un allarme che avviserà del tempo trascorso.

1. Premere il tasto del timer. Sul display verrà visualizzato ":".
2. Premere i tasti numerici (0-9) e impostare il tempo desiderato. È possibile impostare un tempo massimo di 99 minuti e 99 secondi.
3. Premere il tasto "START" per confermare l'impostazione.
4. Una volta raggiunto il tempo impostato, l'avvisatore acustico suonerà e l'apparecchio tornerà automaticamente allo stato precedente.

NOTA:

- Quando il timer da cucina è in funzione, non è possibile utilizzare le altre funzioni.
- Quando il microonde non è in uso, questa funzione consente di utilizzare il microonde come timer.
- Assicurarsi che l'orologio sia stato impostato.

TIMER/MUTO

MUTO

Premere e tenere premuto questo pulsante in modalità standby per accedere alla selezione di attivazione/disattivazione del suono e visualizzare le informazioni di attivazione o disattivazione corrispondenti. Dopo aver selezionato il suono per attivarlo o disattivarlo, premere il pulsante "STOP" per uscire dalla selezione. Il suono del cicalino può essere attivato o disattivato in base alle impostazioni corrispondenti.

MICROW.

Sono disponibili dieci livelli di potenza delle microonde, rispettivamente 100P, 90P, 80P, 70P, 60P, 50P, 40P, 30P, 20P e 10P. Premere il pulsante "Microw." continuamente e selezionare la potenza microonde desiderata. Premere i pulsanti numerici 0~9 per inserire il tempo di cottura, il tempo massimo che può essere inserito è 99:99. Dopo aver inserito il tempo di cottura, premere il pulsante "START/+30s" per avviare l'operazione. Un segnale acustico segnerà il completamento dell'operazione.

NOTE:

Sono disponibili diversi livelli di potenza per preparare cibi diversi.

ALTA	100% e 90% di potenza erogata	per una cottura veloce e completa
Medio Alta	80% e 70% di potenza erogata	per cotture medio-espresse
Media	60% e 50% di potenza erogata	per cottura al vapore
Medio Bassa	40% e 30% di potenza erogata	per scongelare gli alimenti
BASSA	20% e 10% di potenza erogata	per tenere i cibi al caldo

COTTURA AUTOMATICA

Per il cibo nel menù automatico bisogna impostare solo il tipo e la massa / unità di cibo. Il forno aiuterà nell'impostazione della potenza e del tempo.

Per esempio: Se si desidera cuocere 2 patate, procedere nel seguente modo.

1. Premere ripetutamente il tasto "Potato" per selezionare l'opzione del peso degli alimenti. Per ulteriori informazioni, consultare la tabella del menù di cottura automatica.
2. Premere il tasto START per confermare e avviare la cottura.

Menu	Display	Peso
A1 Patate	250	250g
	500	500g
	750	750g
A2 Pasta	50	50g
	100	100g
	150	150g
A3 Pizza	200	200g
	400	400g
A4 Popcorn	100	100g
A5 Verdure (surgelate)	200	200g
	400	400g
	600	600g
A6 Bevande	1	250ml
	2	500ml
	3	750ml
A7 Carne	200	200g
	400	400g
	600	600g
A8 Pesce	200	200g
	400	400g
	600	600g

NOTA:

- Alcuni alimenti dovranno essere girati durante la cottura per assicurarsi che siano ben cotti in modo uniforme.
- La densità e lo spessore dell'alimento possono influire sul suo tempo di cottura.
- Tutti i tempi di cottura sono solo indicativi e possono essere modificati in base alle vostre preferenze e alle vostre ricette preferite.
- Utilizzare solo contenitori e pellicola alimentare trasparente adatti per microonde. Prima della cottura, forare la pellicola con una forchetta.

RISCALDARE

Lo scopo principale della funzione "Reheat" è quello di agevolare gli utenti nel riscaldamento degli alimenti in base al peso: premere continuamente il pulsante "Reheat" e selezionare il peso appropriato degli alimenti. L'intervallo di peso che può essere selezionato è di 200 g, 400 g, 600 g, 800 g e 1000 g. Dopo aver selezionato il peso, premere il pulsante "START/+30s" per iniziare il lavoro, un ronzio segnalerà il completamento dell'operazione.

SCONGELAMENTO
(AUTOMATICO) A PESO
dEF1

Il forno consente lo scongelamento di carne, pollame e frutti di mare. Il tempo di scongelamento e la potenza si regolano automaticamente in base al peso che viene impostato prima. Il peso degli alimenti congelati può essere compreso tra i 100g e i 1500g.

1. Premere una volta il tasto "Weight Defrost" a peso e sul display verrà visualizzato "dEF1".
2. Premere i tasti numerici (0-9) e inserire il peso. Ad esempio, inserire il peso premendo "6", "0", "0" per 600g.
3. Premere il tasto "START" per confermare e avviare la cottura.

NOTA:

Durante la cottura, a metà dell'ora stabilita il forno emetterà automaticamente due segnali acustici. Questo consente di ricordarsi di girare il cibo. Facendo ciò, per continuare la cottura e necessario richiudere lo sportello e premere il tasto START.

Gli alimenti di grandi dimensioni potrebbero rimanere congelati al centro. Per garantire uno scongelamento uniforme, girare il cibo di tanto in tanto e spezzarlo in pezzi più piccoli durante lo scongelamento.

Eliminare subito i liquidi di scongelamento poiché potrebbero scaldarsi e cuocere il cibo.

SCONGELAMENTO A
TEMPO (RAPIDO)
dEF2

Il forno consente anche uno scongelamento rapido.

1. Premere una volta il tasto "Time Defrost" a peso e sul display verrà visualizzato "dEF2".
2. Premere i tasti numerici (0-9) e impostare il tempo di scongelamento desiderato. Ad esempio, inserire il tempo di scongelamento premendo "5", "3", "0" per 5 minuti e 30 secondi.
3. Premere il tasto "START" per confermare e avviare la cottura.

NOTA:

Gli alimenti di grandi dimensioni potrebbero rimanere congelati al centro. Per garantire uno scongelamento uniforme, girare il cibo di tanto in tanto e spezzarlo in pezzi più piccoli durante lo scongelamento.

Eliminare subito i liquidi di scongelamento poiché potrebbero scaldarsi e cuocere il cibo.

SCONGELAMENTO/ECO
ECO

In modalità standby, tenere premuto il pulsante per accedere alla modalità ECO e il display si spegnerà. In modalità ECO, premere un pulsante qualsiasi per uscire dalla modalità ECO e il display si illuminerà.

Consigli per l'uso.

Questa funzione viene utilizzata per il riscaldamento rapido (microonde al 100%) o per la cottura del cibo. In modalità stand -by, premere il pulsante "START" e il forno inizierà a funzionare per 30 secondi. Ogni volta seguente che il pulsante "START" viene premuto, il tempo aumenta di 30 secondi.

NOTA:

Premendo il tasto START il tempo aumenta ogni volta di 30 secondi in tutti i programmi, tranne che per la cottura automatica, per la cottura a più fasi e per l'auto scongelamento.

Utilizzare questa funzione per bloccare il pannello di controllo durante la pulizia o in modo che i bambini non possano utilizzare il forno senza sorveglianza. Tutti i pulsanti sono resi inutilizzabili in questa modalità.

- 1) Imposta blocco: tieni premuto il pulsante STOP per circa 3 secondi.
- 2) Annulla blocco: tenere premuto il pulsante STOP per circa 3 secondi.

1. Prima di effettuare la pulizia del forno bisogna staccare il cavo di collegamento dalla rete elettrica.
2. L'interno del forno deve essere sempre pulito. Quando i pezzi di cibo, il liquido fuoriuscito o le gocce di grasso sporcano le pareti interne del forno, bisogna pulirle subito con una spugna umida. L'uso dei detersivi abrasivi e aggressivi non è consigliabile.
3. La parte esterna del forno va pulita con una spugna umida. Per evitare i danni ai pezzi all'interno del forno, fate attenzione di non rovesciare dell'acqua nelle aperture di aerazione.
4. Non bagnate il pannello di comando. Pulirlo con una spugna morbida, umida. Per la pulizia di pannello di comando non dovete usare detersivi aggressivi, abrasivi o spray.
5. Se si accumula il vapore all'interno o all'esterno sulle superfici del forno, va asciugato con un panno morbido. Questo può succedere se usate il forno a microonde negli ambienti molto umidi e certo non è indice di malfunzionamento del forno.
6. Ogni tanto bisogna estrarre il vasoio di vetro e lavarlo. Lo si può lavare nell'acqua tiepida con l'aggiunta di detersivo per piatti o nella lavastoviglie.
7. Il cerchio e il fondo del forno all'interno del forno deve sempre essere pulito, altrimenti il funzionamento è rumoroso. Pulire il fondo del forno con una spugna umida e il detersivo oppure con il spray per vetri ed asciugare per bene. Il cerchio su cui è appoggiato il vasoio di vetro può essere lavato anche nella lavastoviglie. Dopo un'uso prolungato si possono accumulare sulle rotelline del cerchio i vapori della cottura, ma questo non incide sul funzionamento del cerchio. Quando state eliminando il cerchio dal fondo del forno, fate attenzione a rimetterlo correttamente al suo posto.
8. Possibile odore sgradevole dal forno a microonde può essere eliminato posizionando nel forno una ciottola con dell'acqua e la buccia di limone. Accendere il forno per 5 minuti e quando si spegne pulire ed asciugare l'interno con un panno morbido.
9. Se dovete sostituire la lampadina all'interno del forno, rivolgetevi al venditore.

SI RISERVA IL DIRITTO DI APPORTARE QUALSIASI MODIFICA CHE NON INFLUISCE SULLE FUNZIONALITÀ DELL'APPARECCHIO.

ISTRUZIONI DI FUNZIONAMENTO

MONTAGGIO DEL FORNO A MICROONDE

1. Verificare se avete tolto dall'interno dello sportello tutto il materiale di imballaggio. Non rimuovere il cartone di protezione che serve da protezione del magnetron.
2. Quando eliminate l'imballaggio verificare se ci sono danni visibili nel forno tipo:
 - sportello appeso inclinato,
 - sportello danneggiato,
 - ammaccature e buchini nel vetro dello sportello o sul display,
 - ammaccature all'interno del forno.Non usare il forno a microonde se notate qualcuno dei danni sopraindicati.
3. Il forno a microonde pesa circa 11 kg; bisogna posizionarlo su una superficie dritta e forte che sosterrà questo peso.
4. Posizionare il forno lontano dai fonti di alte temperature e di umidità.
5. Non posizionare niente sotto il forno.
6. Tenere il forno ad una distanza di almeno 20 cm da entrambe le pareti laterali e 30 cm dalla parete superiore per garantire la corretta ventilazione.
7. Non togliere la giunzione di appoggio l'albero di trasmissione del vasoio piatto girevole.
8. Come con tutti gli altri apparecchi, l'uso da parte dei bambini deve essere sorvegliato dagli adulti.
9. La presa elettrica deve essere facilmente accessibile per consentire il rapido scollegamento dell'unità in caso di emergenza. Oppure deve essere possibile isolare il forno dall'alimentazione azionando l'apposito interruttore nell'impianto in conformità con le norme impiantistiche. Collegare l'elettrodomestico ad una presa installata monofase con corrente alternata 220-240V/50 Hz mediante una presa di terra correttamente installata. **ATTENZIONE! IL PRESENTE APPARECCHIO DEVE ESSERE COLLEGATO A TERRA.** Il costruttore produttore declina qualsiasi responsabilità in caso di mancata osservanza di questa misura di sicurezza.
10. Il forno necessita di 1,1 kVA di potenza d'entrata. Consigliamo di consultarsi con un tecnico riguardo al collocamento del forno.

ATTENZIONE: Il forno possiede la propria protezione e cioè il fusibile 250V, 8A.

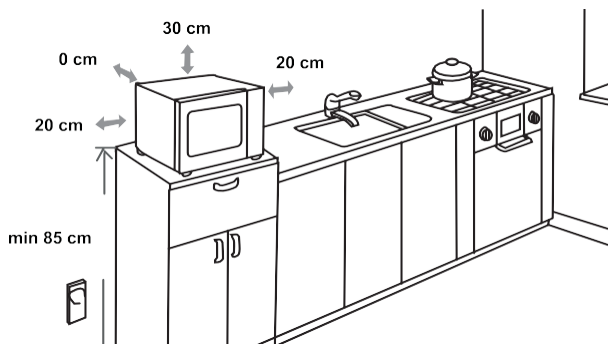
SPECIFICAZIONI

Consumo energia elettrica 220-240V~50Hz, 1150W
Potenza d'uscita 700W
Frequenza di funzionamento: 2450MHz
Misure esterne: 451x 283 x 364 mm
Volume del forno: 20 litri
Peso senza imballaggio Circa 11 kg
Livello rumore: Lc < 61 dB(A) Lc



Questo apparecchio dispone di contrassegno ai sensi della direttiva europea 2012/19/EU in materia di apparecchi elettrici ed elettronici (waste electrical and electronic equipment - WEEE). Questa direttiva definisce le norme per la raccolta e il riciclaggio degli apparecchi dimessi valide su tutto il territorio dell'Unione Europea.

POSIZIONAMENTO



INTERFERENZE RADIO

Il forno a microonde può provocare le interferenze disturbi di ricevimento agli apparecchi radio, nei Vostri apparecchi (alla televisione, radio e altri apparecchi simili). Se si verificano le interferenze, quest'ultime si possono eliminare o diminuire con i seguenti accorgimenti:

- Pulire lo sportello e le superfici delle guarnizioni del forno.
- Place the radio, TV, etc. as far away from your microwave oven as possible.
- Use a properly installed antenna for your radio, TV, etc. to get a strong signal reception.
- Posizionare la radio, TV, ecc. il più lontano possibile dal forno a microonde.
- Utilizzare un'antenna correttamente installata per la radio, TV, ecc. per ottenere un segnale forte di ricezione.

PRIMA DI CHIAMARE IL SERVIZIO D'ASSISTENZA

1. Se il forno non funziona affatto, se sul display non appare niente o se il display si spegne:
 - a) Verificare se il forno è collegato correttamente alla rete elettrica. Se non è così, togliete la spina dalla presa di corrente, aspettate 10 secondi e ricollegatelo di nuovo.
 - b) Verificare se si è bruciato qualche fusibile oppure si è interrotta la corrente elettrica sul fusibile generale. Se non ci sono problemi con i fusibili, verificare la presa con un'altro apparecchio elettrico.
2. Se il forno a microonde non scalda cioè non emana l'energia delle onde magnetiche:
 - a) Verificare se il timer è impostato bene.
 - b) Verificare se lo sportello è chiuso bene e se le chiusure di sicurezza sono a posto, altrimenti l'energia del microonde non si emanerà.
Se con l'aiuto dei consigli sopra indicati non avete risolto i problemi, vi dovete rivolgere al servizio d'assistenza autorizzato più vicino.

Nota: L'apparecchio è destinato all'uso domestico per riscaldare le pietanze e le bevande con l'aiuto di energia elettromagnetica. Usare l'apparecchio solo negli ambienti chiusi.

GARANZIA E ASSISTENZA

Per ulteriori informazioni o eventuali problemi, contattate il Centro Assistenza Clienti Hisense locale (il numero di telefono è riportato nella foglio di garanzia internazionale). Qualora non fosse disponibile un Centro Assistenza Clienti locale nel vostro Paese, rivolgetevi al rivenditore autorizzato Hisense oppure contattate il Reparto assistenza Hisense Domestic Appliances per gli elettrodomestici.

Solo per l'uso personale!

**CI PRENDIAMO IL DIRITTO DI CAMBIAMENTI!
UTILIZZANDO IL FORNO A MICROONDE VI AUGURA
MOLTO PIACERE LA HISENSE**

Hisense

CHÈRE CLIENTE

Nous vous remercions vivement d'avoir acheté un appareil de notre marque et vous félicitons de votre choix.

Pour vous faciliter l'utilisation de votre nouvel appareil, nous avons rédigé une notice détaillée ; elle vous aidera à vous familiariser avec lui. Nous vous recommandons de la lire attentivement avant de mettre votre appareil en service.

Vérifiez d'abord que votre appareil est arrivé en bon état. En cas de dommages dus au transport, veuillez contacter immédiatement votre détaillant. Vous trouverez son numéro de téléphone sur la facture ou le bon de livraison qui vous a été remis lors de l'achat.

Nous vous souhaitons de prendre beaucoup de plaisir à cuisiner avec votre nouvel appareil.



Cet appareil est destiné à un usage domestique pour le réchauffage, la cuisson et la décongélation des aliments et des boissons au moyen d'ondes électromagnétiques. Il ne doit pas être utilisé en plein air.

NOTICE D'UTILISATION

Cette notice est destinée à l'utilisateur. Elle décrit l'appareil et la manière de s'en servir. Ce manuel est rédigé pour différents modèles et il est donc possible qu'il décrive des fonctions dont votre appareil ne dispose pas.

CONSOMMATION D'ÉNERGIE

Informations sur le produit concernant la consommation d'énergie et le temps maximum pour atteindre le mode de faible consommation applicable.

Mode arrêt	0.8W
------------	------

Temps maximum nécessaire pour que le four à micro-ondes atteigne automatiquement le mode ou l'état de faible consommation applicable.	15 minutes
---	------------

Nous nous réservons le droit de modifier cette notice d'utilisation sans préavis et vous prions de nous excuser des erreurs qui auraient pu s'y glisser.

CONSIGNES DE SÉCURITÉ IMPORTANTES



Ne touchez jamais les éléments chauffants des appareils de cuisson. Ils deviennent chauds pendant le fonctionnement. Tenez les enfants à distance de sécurité. Il existe un risque de brûlure!



Énergie micro-ondes et haute tension ! Ne retirez pas le panneau de protection contre l'exposition aux micro-ondes.

ATTENTION: Les enfants à partir de 8 ans et les personnes disposant de capacités physiques, sensorielles ou mentales réduites, ou manquant d'expérience et de connaissances, peuvent utiliser cet appareil sous surveillance, à condition d'avoir reçu des instructions sur la manière de s'en servir en toute sécurité et d'avoir compris les risques auxquels ils s'exposent. Les enfants ne doivent pas jouer avec l'appareil ni procéder sans surveillance à son nettoyage et à son entretien.

L'appareil et ses éléments accessibles deviennent chauds durant l'utilisation. Faites bien attention à ne pas toucher les résistances. Maintenez les enfants de moins de 8 ans à l'écart de l'appareil, sauf si vous les surveillez en permanence.

- **ATTENTION** : lorsque l'appareil fonctionne en mode combiné, les enfants ne devraient s'en servir que sous la surveillance d'un adulte en raison de la température élevée générée par le gril. (Cette consigne s'applique seulement aux modèles disposant de la fonction gril).
- **ATTENTION** : si la porte ou le joint de la porte sont endommagés, n'utilisez pas l'appareil tant qu'il n'a pas été réparé par un technicien compétent.
- **ATTENTION** : il est dangereux pour toute autre personne qu'un technicien de procéder à des réparations impliquant la dépose d'un panneau de protection contre l'exposition aux micro-ondes.
- **ATTENTION** : il ne faut pas chauffer les liquides et autres aliments dans des récipients fermés hermétiquement, car ces derniers risquent d'exploser.
- N'enlevez pas les pieds de l'appareil et n'obstruez pas les fentes d'aération.
- Utilisez exclusivement une batterie de cuisine et des ustensiles compatibles avec un four à micro-ondes.
- Lorsque vous réchauffez des aliments dans des barquettes en plastique ou en papier, gardez un œil sur le four pour pouvoir agir à temps au cas où le récipient s'enflammerait.
- Si vous voyez de la fumée, mettez le four à l'arrêt, débranchez-le et laissez la porte fermée afin d'étouffer les flammes éventuelles.
- Le réchauffage des boissons aux micro-ondes peut entraîner une ébullition différée. Veillez à manipuler

les récipients avec précaution.

- Afin d'éviter tout risque de brûlure, agitez les biberons, remuez le contenu des petits pots pour bébés et testez la température avant consommation.
- Ne faites pas cuire d'œufs durs ou à la coque aux micro-ondes, car ils peuvent éclater, même lorsque le temps de cuisson s'est écoulé.
- Lorsque vous nettoyez la porte, le joint de la porte et l'intérieur du four, utilisez exclusivement des détergents légers non abrasifs que vous déposerez sur une éponge ou un chiffon doux.
- Il faut nettoyer le four régulièrement et retirer sans attendre tout résidu alimentaire.
- Le manque d'entretien pourrait conduire à une détérioration des surfaces, ce qui pourrait affecter la durée de vie de l'appareil et entraîner certains risques.
- Si le cordon secteur est endommagé, il faut le faire remplacer – afin d'éviter tout danger – par un technicien du Service Après- Vente ou par un professionnel qualifié.
- Ne nettoyez jamais la table de cuisson avec un appareil à vapeur ou à haute pression : vous vous exposeriez à un risque de choc électrique.
- L'appareil n'est pas prévu pour être commandé par un minuteur externe ou une télécommande séparée.

Vous trouverez ci-dessous un certain nombre de règles à suivre, comme pour tous les appareils. Elles vous permettront d'utiliser ce four en toute sécurité et d'obtenir des performances maximales.

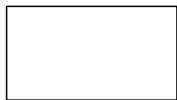
1. Lorsque vous vous servez du four, veillez à ce que le plateau tournant, la couronne à roulettes et l'entraîneur soient bien en place.
2. Utilisez le four exclusivement pour la préparation des aliments. N'y séchez pas de linge, du papier, ou autre chose que des produits alimentaires. N'y stérilisez pas les conserves.
3. Ne faites pas fonctionner le four à vide, cela pourrait l'endommager.
4. N'utilisez pas la cavité du four comme espace de rangement pour des papiers, des livres de cuisine, ou autres objets.
5. Ne faites pas cuire d'aliments recouverts d'une membrane ou d'une peau sans l'avoir perforée au préalable avec une fourchette : jaunes d'œufs, foies de volaille, pommes de terre, etc.
6. N'insérez aucun objet dans les orifices de la carrosserie.
7. Ne démontez jamais le four, et ne retirez pas les pieds, l'axe d'entraînement, les vis, etc.
8. Ne posez pas les aliments à cuire directement sur le plateau en verre. Placez-les dans des récipients adéquats avant de les enfourner.

IMPORTANT - USTENSILES DE CUISINE À NE PAS UTILISER DANS VOTRE FOUR À MICRO- ONDES :

- N'utilisez pas de plats en métal ou comportant des poignées en métal.
 - N'utilisez aucun récipient avec garniture en métal.
 - N'utilisez pas d'assiette en mélamine, car cette matière absorbe l'énergie des micro-ondes. Cela ralentirait la cuisson et l'assiette pourrait se fêler ou se carboniser.
 - Ne faites rien chauffer dans des bouteilles à goulot étroit, comme par exemple les bouteilles de boissons gazeuses ou de sauces à salade, car elles pourraient éclater dans le four à micro-ondes.
 - Si vous avez besoin d'utiliser un thermomètre à viande ou à sucre, choisissez-en un qui soit spécialement destiné aux micro-ondes. Ces thermomètres sont disponibles dans le commerce.
9. Utilisez les ustensiles spéciaux pour micro-ondes selon les recommandations du fabricant.
 10. Ne faites pas de fritures dans ce four.

11. Souvenez-vous que dans un four à micro-ondes, le contenu du récipient chauffe plus vite que le récipient lui-même. Par conséquent, même si le couvercle ne vous semble pas très chaud au toucher, le liquide ou les aliments qui sont à l'intérieur dégagent la même quantité de vapeur qu'en cuisson conventionnelle ; soyez prudent lorsque vous enlevez le couvercle.
12. Lorsque vous réchauffez un biberon ou des aliments pour bébé, testez vous-même la température avant de nourrir l'enfant. De plus, il est conseillé de ne pas consommer immédiatement les aliments ou les boissons que l'on vient de retirer du four à micro-ondes ; laissez-les reposer quelques minutes et mélangez-les pour répartir la chaleur de façon homogène.
13. Les aliments contenant à la fois de l'eau et de la graisse (par exemple bouillon cube) doivent rester 30 à 60 secondes au four après l'arrêt de l'appareil. Cela permet au mélange de se stabiliser et évite les bouillonnements lorsqu'on y trempe une cuillère ou qu'on y ajoute un bouillon cube.
14. Pour vos préparations liquides et solides, souvenez-vous que certains aliments (par exemple pudding de Noël, confiture, viande hachée) chauffent très vite. Lorsque vous faites cuire ou réchauffer des aliments contenant beaucoup de sucre ou de matière grasse, n'utilisez pas de contenant en plastique.
15. Les récipients peuvent être brûlants en raison de la chaleur transmise par les aliments qui cuisent. Cela est flagrant si vous recouvrez le plat et les poignées avec un film en plastique. N'oubliez pas de mettre des gants de cuisine quand vous manipulez vos récipients.
16. Pour éviter que vos préparations et récipients prennent feu dans le four:
 - a) ne prolongez pas inutilement la cuisson. Surveillez le four tant que des matières inflammables (papier, plastique) sont à l'intérieur ;
 - b) avant d'enfourner des aliments sous sachets en plastique, retirez les liens qui les ferment si ces derniers comportent des fils métalliques.
 - c) Si le feu se déclare à l'intérieur du four, laissez la porte fermée, débranchez l'appareil ou mettez-le hors tension en désarmant le disjoncteur ou en enlevant le fusible sur le tableau électrique.

BANDEAU DE COMMANDES ÉLECTRONIQUE



Potato



Pasta



Pizza



Popcorn



Vegetable



Beverage



Meat



Reheat



Fish

Microw.

Defrost/ECO

Timer/Mute

1

2

3

4

5

6

7

8

9

STOP

Cancel

0

Clock

START

+30 Sec

ÉCRAN

Indique l'horloge, le temps de cuisson et le réglage.

DEFROST (DÉCONGÉLATION)

Utiliser cette touche pour décongeler les aliments en fonction du temps indiqué et du poids.

MICROW. (MICRO-ONDES)

Utiliser cette touche pour sélectionner le niveau de puissance du micro-ondes.

CLOCK (HORLOGE)

Maintenir cette touche enfoncée pendant 3 secondes pour régler l'horloge.

TIMER (MINUTERIE)

Utiliser cette touche pour régler la fonction de minuterie.

ICÔNES

Utilisez ces touches pour régler l'heure et le poids des aliments et pour choisir les programmes du menu automatique.

DEFROST/ECO

Cette touche permet de décongeler les aliments en fonction de la durée et de leur poids, cette touche permet d'économiser de l'énergie.

TIMER/Mute

Appuyez sur ce bouton en mode veille pour activer ou désactiver le son

Sélection

0 - 9

Utilisez ces touches pour entrer le temps de cuisson et le poids. Elles permettent également de régler l'heure.

STOP/CANCEL (ARRÊTER/ANNULER)

Utilisez cette touche pour arrêter ou annuler le réglage. Pour le verrouillage enfant, appuyer pendant 3 secondes.

START/+30 SEC

Utilisez cette touche pour effectuer une cuisson rapide de 30 secondes, augmenter le temps de cuisson de 30 secondes (à chaque clic) ou confirmer les paramètres de cuisson.

FONCTIONNEMENT

HORLOGE

Le four est équipé d'une horloge numérique. Lorsque le four est en mode veille, l'horloge peut être réglée en appuyant sur la touche Clock pendant 3 secondes.

1. Pour saisir l'heure, appuyez sur les touches numériques (0-9). Par exemple, pour saisir l'heure actuelle 12:30, vous devez appuyer sur « 1 », « 2 », « 3 », « 0 ». L'heure entrée doit être comprise entre 1 et 24 et les minutes entrées doivent être comprises entre 0 et 59.
2. Appuyez sur la touche Start pour terminer le réglage de l'horloge. « : » se met à clignoter. Le réglage de l'horloge est terminé.

REMARQUE:

Veillez vous assurer que vous avez bien réglé l'horloge avant de l'utiliser.

Utilisez le compte-minutes pour régler une alarme.

1. Appuyer sur la touche Timer. L'écran affiche «:».
2. Appuyez sur les touches numériques (0-9) et entrez l'heure de la minuterie. La durée la plus longue que vous pouvez régler est de 99 minutes et 99 secondes
3. Appuyez sur la touche START pour confirmer le réglage.
4. Une fois le temps écoulé, le micro-ondes émet un son et retourne à son état initial.

REMARQUE:

- Lorsque la minuterie de la cuisine est en marche, les autres touches ne peuvent pas être utilisées.
- Lorsque le micro-ondes n'est pas utilisé, cette touche vous permet d'utiliser le micro-ondes comme minuterie.
- Veillez vous assurer que l'horloge a été réglée.

TIMER/MUTE MINUTERIE

Appuyez sur ce bouton et maintenez-le enfoncé en mode veille pour accéder à la sélection de l'activation ou de la désactivation du son, les informations correspondantes apparaissent sur l'afficheur. Après avoir accéder à l'écran de sélection des options sonores, appuyez sur le bouton « STOP » pour quitter l'écran de sélection. L'avertisseur sonore peut être activé ou désactivé au moyen des réglages correspondants.

TIMER/MUTE MUTE

MICROW.

Dix niveaux de puissance des micro-ondes sont disponibles : 100P, 90P, 80P, 70P, 60P, 50P, 40P, 30P, 20P et 10P, respectivement. Appuyez sur le bouton « Microw. » et maintenez-le enfoncé pour sélectionner le niveau de puissance micro-ondes souhaité. Appuyez sur les boutons numériques 0 à 9 pour définir le temps de cuisson, le temps maximum pouvant être défini est de 99:99. Après avoir défini la durée de cuisson, appuyez sur le bouton « START/ + 30s » pour lancer la cuisson. Une sonnerie retentit pour signifier la fin de l'opération.

REMARQUE:

Les différentes puissances sont adaptées à la préparation de divers aliments.

HIGH (ÉLEVÉE)	Puissance de sortie de 100 % et 90%	pour une cuisson rapide et complète
M.High (Moy. élevée)	Puissance de sortie de 80 % et 70%	pour une cuisson moyenne express
Med (Moy.)	Puissance de sortie de 60 % et 50 %	pour une cuisson à la vapeur
M.Low (Moy. basse)	Puissance de sortie de 40 % et 30 %	pour la décongélation des aliments
LOW (BASSE)	Puissance de sortie de 20 % et 10 %	pour garder au chaud

CUISSON AUTO

En mode Cuisson automatique, il vous suffit de sélectionner le type d'aliment et son poids ou sa quantité. Le four se charge de régler la puissance et la durée de cuisson qui conviennent.

Par exemple : Si vous voulez faire cuire deux morceaux de pommes de terre, veuillez suivre les étapes ci-dessous.

1. Appuyez plusieurs fois sur la touche Potato pour sélectionner l'option de poids de votre aliment. Veuillez vous référer au tableau du menu de cuisson automatique pour plus d'informations.
2. Appuyez sur la touche START pour confirmer et commencer la cuisson.

Menu	Écran	Poids
A1 Pommes de terre	250	250 g
	500	500 g
	750	750 g
A2 Pâtes	50	50 g
	100	100 g
	150	150 g
A3 Pizza	200	200 g
	400	400 g
A4 Popcorn	100	100 g
A5 Légumes	200	200 g
	400	400 g
	600	600 g
A6 Boisson	1	250 ml
	2	500 ml
	3	750 ml
A7 Viande	200	200 g
	400	400 g
	600	600 g
A8 Poisson	200	200 g
	400	400 g
	600	600 g

REMARQUE:

- Pour certains aliments, vous devrez peut-être les retourner pendant la cuisson afin de vous assurer qu'ils sont bien cuits et qu'ils brunissent uniformément.
- La densité et l'épaisseur des aliments peuvent affecter leur temps de cuisson.
- Tous les temps de cuisson ne sont que des guides approximatifs ; adaptez-les aux goûts et aux recettes préférées.
- N'utilisez que des récipients appropriés pour le micro-ondes et du film alimentaire dans le micro-ondes. Percez le film avec une fourchette avant la cuisson.

RÉCHAUFFER

La fonction Réchauffer (Reheat) a principalement pour but d'aider les utilisateurs à chauffer les aliments en fonction de leur poids, sélectionnez le poids approprié, vous pouvez choisir entre : 200 g, 400 g, 600 g, 800 g et 1 000 g. Après avoir sélectionné le poids, appuyez sur le bouton « START/ +30s » pour lancer la fonction, une notification sonore retentit pour notifier la fin de l'opération.

DÉGIVRAGE DU POIDS (AUTOMATIQUE) DEF1

Le four vous permet de décongeler la viande, la volaille, le poisson et les fruits de mer. La durée de décongélation et la puissance se règlent automatiquement en fonction du poids que vous indiquez. Les aliments à décongeler peuvent peser entre 100 g et 1500 g.

1. Appuyez une fois sur la touche de dégivrage Weight Defrost et l'écran affichera »DEF1«.
2. Appuyez sur les touches numériques (0-9) pour entrer le poids. Par exemple, entrez le poids en appuyant sur »6«, »0«, »0« pour 600g.
3. Appuyez sur la touche START pour confirmer et commencer la cuisson.

REMARQUE:

Lorsque la moitié du temps de décongélation imparti s'est écoulé, le four sonne deux fois pour vous rappeler qu'il faut retourner les aliments. Ceci fait, refermez la porte et effleurez la touche START.

Les gros articles peuvent être congelés au centre. Par conséquent, pour assurer une décongélation uniforme, retournez-les de temps en temps et cassez-les en petits morceaux pendant la décongélation.

Égouttez les liquides pendant la décongélation car les jus des aliments peuvent devenir chauds et faire cuire les aliments.

TEMPS DE DÉGIVRAGE (VITESSE) DEF2

Der Mikrowellenherd ermöglicht auch das schnelle Auftauen von gefrorenen Lebensmitteln.

1. Appuyez une fois sur la touche de dégivrage Time Defrost et l'écran affichera »DEF2 «.
2. Appuyez sur les touches numériques (0-9) pour entrer le temps de dégivrage. Par exemple, entrez le temps de dégivrage en appuyant sur »5«, »3«, »0« pendant 5 minutes et 30 secondes.
3. Appuyez sur la touche START pour confirmer et commencer la cuisson.

REMARQUE:

Les gros articles peuvent être congelés au centre. Par conséquent, pour assurer une décongélation uniforme, retournez-les de temps en temps et cassez-les en petits morceaux pendant la décongélation.

Égouttez les liquides pendant la décongélation car les jus des aliments peuvent devenir chauds et faire cuire les aliments.

DEFROST/ECO
ECO

En mode veille, appuyez sur le bouton et maintenez-le enfoncé pour accéder au mode ECO, l'afficheur va ensuite s'éteindre. En mode ECO, appuyez sur n'importe quel bouton pour quitter ce mode et l'afficheurs'allume.

DÉMARRAGE RAPIDE**Conseils pour l'utilisation du four**

Utilisez cette fonction pour réchauffer ou cuire rapidement vos aliments aux micro-ondes à 100% de leur puissance. Le four étant en veille, effleurez la touche START : l'appareil fonctionne 30 secondes. Chaque pression successive sur cette même touche prolonge la cuisson de 30 secondes.

REMARQUE:

Le fait d'appuyer de nouveau sur la touche START prolonge la durée de fonctionnement de 30 secondes pour tous les programmes, sauf pour la Cuisson automatique, la Cuisson en plusieurs étapes et la Décongélation automatique.

Utilisez cette fonction pour verrouiller le panneau de commande lorsque vous nettoyez le four ou pour éviter que les enfants ne puissent utiliser le four sans surveillance. Ce mode permet de rendre tous les boutons inutilisables.

SÉCURITÉ ENFANTS

- 1) Régler le verrouillage : maintenez le bouton STOP enfoncé pendant environ 3 secondes.
- 2) Annuler le verrouillage : maintenez le bouton STOP enfoncé pendant environ 3 secondes.

1. Avant de procéder au nettoyage, mettez le four à l'arrêt et débranchez-le.
2. Maintenez l'intérieur du four en bon état de propreté. Si des éclaboussures adhèrent aux parois, enlevez-les avec une éponge humide. Les détergents agressifs ou abrasifs ne sont pas recommandés.
3. Nettoyez la carrosserie avec une éponge humide. Veillez à ne pas laisser couler d'eau dans les fentes d'aération afin de ne pas endommager les composants du four.
4. Veillez à ce que le bandeau de commandes reste toujours sec. Essuyez-le avec un chiffon doux et humide. N'utilisez pas de détergents, de produits abrasifs ni d'aérosol pour nettoyer le bandeau de commande.
5. Si de la buée s'accumule sur la face interne de la porte ou à sa périphérie, à l'extérieur, essuyez-la avec un chiffon doux. Ce phénomène peut se produire lorsque le four à micro-ondes fonctionne dans des conditions d'humidité élevée ; cela n'indique nullement un dysfonctionnement de l'appareil.
6. Il est quelquefois nécessaire de retirer le plateau tournant pour le nettoyer. Vous pouvez le laver à l'eau chaude savonneuse ou dans votre lave-vaisselle.
7. La couronne à roulettes et le bas de la cavité doivent être entretenus régulièrement pour éviter tout bruit excessif. Nettoyez simplement le bas du four avec de l'eau et un détergent léger ou avec un produit pour les vitres, puis séchez soigneusement. Vous pouvez laver la couronne à roulettes à l'eau tiède savonneuse ou dans votre lave-vaisselle. Les vapeurs de cuisson qui se condensent au cours d'utilisations répétées ne dégradent nullement les surfaces en bas du four ni les roulettes de la couronne. Si vous enlevez la couronne à roulettes au cours du nettoyage, veillez à la remettre en place dans sa position initiale.
8. Pour éliminer les odeurs désagréables, placez dans le four un bol rempli d'eau additionnée d'un jus de citron et de sa peau. Faites fonctionner le four 5 minutes en mode micro-ondes, puis passez l'éponge et essuyez soigneusement avec un torchon sec.

ENVIRONNEMENT

Lorsqu'il ne fonctionnera plus, ne jetez pas l'appareil avec les ordures ménagères, mais déposez-le à un endroit assigné à cet effet, où il pourra être recyclé. Vous contribuerez ainsi à la protection de l'environnement.

INSTALLATION MICRO-ONDES

INSTALLATION

1. Veillez à retirer tous les matériaux d'emballage qui se trouvent à l'intérieur du four.
2. Après avoir déballé l'appareil, vérifiez s'il est en bon état, en portant une attention particulière aux points suivants:
 - Porte mal alignée
 - Porte endommagée
 - Entailles ou trous sur le hublot ou l'afficheur
 - Bosses ou trous dans la cavitéSi vous remarquez l'un des défauts ci-dessus, **N'UTILISEZ PAS** le four.
3. Ce four à micro-ondes pèse 11 kg et doit être installé à l'horizontale sur une surface suffisamment solide pour supporter son poids.
4. Il doit rester à distance des sources de chaleur élevée et des dégagements de vapeur.
5. **NE METTEZ RIEN** sur le dessus du four.
6. Pour assurer une ventilation correcte, laissez un espace d'au moins 20 cm de chaque côté du four et de 30 cm en haut.
7. **N'ENLEVEZ PAS** l'axe d'entraînement du plateau tournant.
8. Surveillez les enfants lorsqu'ils utilisent l'appareil.
9. L'emplacement de la prise murale doit être adapté à la longueur du cordon secteur.
10. La puissance du four est de 1,1 kilovoltampère. Nous vous suggérons de consulter un électricien avant d'installer l'appareil.

ATTENTION : pour sa sécurité, le four est muni d'un fusible de 250 Volts, 8 Ampères.

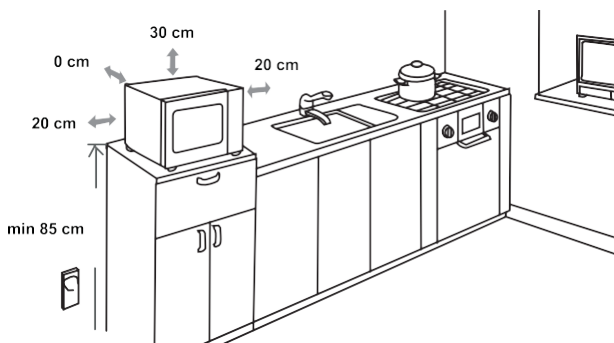
CARACTÉRISTIQUES TECHNIQUES

Raccordement électrique 220-240V~50Hz, 1150W
Puissance des micro-ondes 700W
Fréquence 2450MHz
Dimensions de l'appareil 451 x 283 x 364 mm
Volume du four 20 litres
Poids net environ 11 kg
Niveau de bruit Lc < 61 dB (A)



Cet appareil est pourvu du marquage conforme à la directive 2012/19/EU relative aux déchets des équipements électriques et électroniques (DEEE). Cette directive est applicable dans les pays de la CE et définit le cadre pour la reprise et le recyclage des appareils électroménagers en fin de vie utile.

DIMENSIONS D'ENCASTREMENT



INTERFÉRENCES RADIO

Votre four à micro-ondes peut générer des interférences avec votre récepteur radio, votre téléviseur, ou d'autres appareils similaires. Pour les éliminer ou les réduire, prenez les mesures suivantes.

- Nettoyez la porte et son joint d'étanchéité
- Placez la radio, la TV, etc. aussi loin que possible du four.
- Installez une antenne convenable pour votre récepteur radio ou TV afin d'améliorer la réception du signal.

NOUS NOUS RÉSERVONS LE DROIT DE PROCÉDER À DES MODIFICATIONS QUI N'ONT PAS D'INCIDENCE SUR LE FONCTIONNEMENT DE L'APPAREIL.

AVANT DE CONTACTER LE SERVICE APRÈS-VENTE

1. Si le four ne fonctionne pas du tout, l'afficheur ne s'allume pas ou s'éteint.
 - a) Vérifiez si l'appareil est branché correctement.
Si ce n'est pas le cas, retirez la fiche de la prise secteur, attendez 10 secondes et rebranchez le four convenablement.
 - b) Vérifiez si le fusible n'a pas sauté ou si le disjoncteur n'a pas disjoncté. S'ils fonctionnent normalement, testez la prise murale en y raccordant un autre appareil.
2. Si le four ne fonctionne pas en mode micro-ondes:
 - a) Vérifiez si la durée de cuisson a été réglée.
 - b) Vérifiez si la porte est bien fermée et si le verrouillage est enclenché. Dans le cas contraire, le flux des micro-ondes ne peut pas parvenir dans le four.

Si le four ne fonctionne toujours pas une fois que les vérifications ci-dessus ont été effectuées, contactez le service après-vente.

Cet appareil ménager destiné à la cuisson des aliments et des boissons fonctionne avec des ondes électromagnétiques et doit être utilisé exclusivement à l'intérieur.

GARANTIE ET SERVICE

Si vous souhaitez obtenir des informations supplémentaires ou si vous rencontrez un problème, contactez le Service Consommateurs Hisense de votre pays (vous trouverez le numéro de téléphone correspondant sur le dépliant de garantie internationale). S'il n'existe pas de Service Consommateurs Hisense dans votre pays, renseignez-vous auprès de votre revendeur Hisense local ou contactez le « Service Department of Hisense Domestic Appliances ».

Réservé à une utilisation domestique!

NOUS VOUS SOUHAITONS BEAUCOUP DE PLAISIR LORS DE L'UTILISATION DE VOTRE APPAREIL

Hisense

ESTIMADA(O) CLIENTE,

Agradecemos-lhe por ter comprado um forno da nossa marca e felicitamo-lo pela sua escolha.

Para facilitar-lhe a utilização do seu novo forno, redigimos um manual pormenorizado; ajudá-lo-á a familiarizar com o mesmo. Recomendamo-lhe a lê-lo atentamente antes de colocar o seu forno em serviço.

Verifique primeiro que o seu forno chegou em bom estado. No caso de danos ocorridos durante o transporte, é favor contactar imediatamente a sua loja. Encontrará o seu número de telefone na fatura ou na nota de entrega que lhe foi entregue aquando da compra.

Desejamos-lhe que desfruta ao máximo do prazer de cozinhar com o seu novo forno.



Este forno é destinado para um uso doméstico para o aquecimento, a cozedura e o descongelamento dos alimentos e das bebidas com ondas eletromagnéticas. Não deve ser utilizado ao ar livre.

MANUAL DE UTILIZAÇÃO

Este manual destina-se ao utilizador. Descreve o forno e a sua forma de utilização. Este manual é redigido para diferentes modelos e é portanto possível que descreva funções que o seu forno não dispõe.

CONSUMO DE ENERGIA

Informações do produto sobre o consumo de energia e o tempo máximo para atingir o modo de baixo consumo aplicável.

Modo desligado	0.8W
----------------	------

O tempo máximo necessário para que o forno micro-ondas atinja automaticamente o modo ou 15 minutos condição de baixo consumo de energia aplicável.

Nós nos reservamos o direito a alterações e erros nas instruções de uso.



Nunca toque nos elementos aquecedores dos fornos de cozedura. Tornam-se extremamente quentes durante o funcionamento. Mantenha as crianças numa distância de segurança. Existe um risco de queimadura!



Energia micro-ondas e alta tensão! Não retire o painel de proteção contra a exposição aos micro-ondas.

AVISO: As crianças a partir de 8 anos e as pessoas com capacidades físicas, sensoriais ou mentais reduzidas, ou com falta de experiência e de conhecimentos, podem utilizar este forno sob vigilância, sob condição de ter recebida instruções sobre a forma como utilizar em toda a segurança e de ter compreendido os riscos aos quais se expõem. As crianças não devem brincar com o forno nem proceder sem vigilância à sua limpeza e à sua manutenção.

O forno e os seus elementos acessíveis tornam-se quentes durante a utilização. Tenha muito cuidado em não tocar nas resistências. Mantenha as crianças menores de 8 anos afastadas do forno, excepto se as vigiar permanentemente.

- **AVISO:** quando o forno funciona em modo combinado, as crianças apenas devem usar o mesmo sob a vigilância de um adulto devido à temperatura elevada gerada pelo grelhador. (Esta instrução aplica-se apenas nos modelos com a função grelhador).

- **AVISO:** se a porta ou a junta da porta estiverem danificadas, não utilize o forno enquanto não for reparado por um técnico competente.
- **AVISO:** é perigoso para qualquer outra pessoa que não um técnico proceder a reparações que implica à desmontagem de um painel de proteção contra a exposição no micro-ondas.
- **AVISO:** não se deve aquecer, os líquidos e os outros alimentos em recipientes fechados hermeticamente, porque estes podem explodir.
- Não retire os pés do forno e não obstrui as fendas de ventilação.
- Utilize exclusivamente uma trem de cozinha e utensílios compatíveis com um forno de micro-ondas.
- Quando aquece alimentos em recipientes de plástico ou de papel, esteja sempre atenta ao forno para poder atuar a tempo no caso do recipiente inflamar-se.
- Se vir fumo, pare o forno, desligue-o e deixe a porta fechada para abafar as eventuais chamas.
- O aquecimento das bebidas no micro-ondas pode provocar uma ebulição diferida. É favor manipular os recipientes com precaução.
- De forma a evitar qualquer risco de queimadura, agite os biberões, mexe o conteúdo dos boiões para bebés e teste a temperatura antes do consumo.
- Não ponha a cozer totalmente ovos ou nem em meia cozedura no micro-ondas, porque podem rebentar, mesmo quando a cozedura está terminada.

- Quando limpe a porta, a junta da porta e o interior do forno, utilize exclusivamente detergentes leves não abrasivos que colocará numa esponja ou num pano macio.
- É necessário limpar o forno regularmente e retirar logo qualquer resíduo alimentar.
- A falta de manutenção pode provocar uma deterioração das superfícies, o que pode afetar a duração de vida do forno e levar a certos riscos.
- Se o cabo elétrico estiver danificado, é necessário mandar substituí-lo para evitar qualquer perigo – por um técnico do Serviço Pós Venda ou por um profissional qualificado.
- Nunca limpe a mesa de cozedura com um forno de vapor ou de alta pressão: pode sofrer um choque elétrico.
- O forno não está previsto para ser comandado por um temporizador externo ou um telecomando separado.

Encontrará a seguir uma série de regras a seguir, como para todos os fornos. Permitir-lhe-ão utilizar este forno em toda a segurança e obter performances máximas.

1. Quando se servir do forno, verifique se o prato rotativo, a coroa de rodinhas e o arrastador estão bem no devido lugar.
2. Utilize o forno exclusivamente para a preparação dos alimentos. Não seque no seu interior roupa, papel, ou outra coisa que não produtos alimentares. Não esterilize as conservas.
3. Não ponha a funcionar o forno no vácuo, pode danificá-lo.
4. Não utilize a cavidade do forno como espaço de arrumação para papéis, livros de cozinha, ou outros objetos.
5. Não ponha a cozer alimentos cobertos por uma membrana ou com pele sem a ter perfurada previamente com um garfo: gemas de ovo, fígado de ave, batatas, etc.
6. Não insira nenhum objeto nos orifícios da carroçaria.
7. Nunca desmonte o forno, e não retire os pés, o eixo de arrastamento, os parafusos, etc.
8. Não pouse os alimentos a cozer diretamente no prato de vidro. Coloque-os em recipientes adequados antes de os colocar no forno.

IMPORTANTE – UTENSÍLIOS DE COZINHA A NÃO UTILIZAR NO SEU FORNO DE MICRO- ONDAS:

- Não utilize pratos de metal ou com pegas de metal.
 - Não utilize nenhum recipiente com guarnição de metal.
 - Não utilize pratos de melamina, porque esta matéria absorve a energia dos micro-ondas. Pode abrandar a cozedura e o prato pode racha ou carbonizar.
 - Não ponha a aquecer em garrafas com gargalo estreito, como por exemplo as garrafas de bebidas gasosas ou de molhos para salada, porque podem rebentar no forno de micro-ondas.
 - Se necessitar de utilizar um termómetro de carne ou de açúcar, escolher um que seja especialmente destinado aos micro-ondas. Estes termómetros estão disponíveis no comércio.
9. Utilize os utensílios especiais para micro-ondas segundo as recomendações do fabricante.
 10. Não frite nada neste forno.
 11. Lembre-se que num forno de micro-ondas, o conteúdo do recipiente aquece mais rapidamente do que o próprio recipiente. Por conseguinte, mesmo que a

- tampa não lhe parecer muito quente ao toque, o líquido ou os alimentos que estão no interior libertam a mesma quantidade de vapor do que em cozedura convencional; fique prudente quando retire a tampa.
12. Quando aquece um biberão ou alimentos para bebé, teste você próprio a temperatura antes de alimentar a criança. Além disso, recomenda-se de não consumir imediatamente os alimentos ou as bebidas que acabamos de retirar do forno de micro-ondas; deixe-as descançar durante alguns minutos e misture-os para espalhar o calor de forma homogénea.
 13. Os alimentos que contêm água e gordura (por exemplo caldo em cubo) devem ficar 30 a 60 segundos no forno após a paragem do forno. Isso permite à mistura estabilizar-se e evita as fervuras quando se mergulhe uma colher ou que se adicione um caldo em cubo.
 14. Para as suas preparações líquidas e sólidas, lembre-se que alguns alimentos (por exemplo pudding de Natal, doce, carne triturada) aquecem muito rapidamente. Quando põe a cozer ou a aquecer alimentos com muito açúcar ou matéria gorda, não utilize qualquer conteúdo de plástico.
 15. Os recipientes podem ficar escaldantes devido ao calor transmitido pelos alimentos que cozem. Isso é flagrante se cobrir o prato e as pegas com uma película de plástico. Não se esqueça de colocar as luvas de cozinha quando manipula os seus recipientes.
 16. Para evitar que as suas preparações e recipientes incendeiem-se no forno:
 - a) não prolongue inutilmente a cozedura. Vigie o forno enquanto as matérias inflamáveis (papel, plástico) estiverem no interior;
 - b) antes de colocar os alimentos no forno em saquinhos de plástico, retire as ligações que os fecham se estes não tiverem fios metálicos.
 - c) Se deflagrar fogo no interior do forno, deixe a porta fechada, desligue o forno ou desligue-o da fonte de alimentação eléctrica desarmando o disjuntor ou retirando o fusível do quadro eléctrico.

PAINEL DE COMANDOS



Potato



Pasta



Pizza



Popcorn



Vegetable



Beverage



Meat



Reheat



Fish

Microw.

Defrost/ECO

Timer/Mute

1

2

3

4

5

6

7

8

9

STOP

Cancel

0

Clock

START

+30 Sec

ECRÃ

Exibe o relógio, o tempo de cozedura e o ajuste.

DEFROST

Use esta tecla para descongelar os alimentos por tempo e peso.

MICROW.

Use esta tecla para selecionar o nível de potência do microondas.

CLOCK

Pressione esta tecla por 3 segundos para ajustar o relógio.

TIMER

Use esta tecla para definir a função do temporizador.

SÍMBOLO

Prima estas teclas para ajustar a hora, para indicar o peso dos alimentos, ou para selecionar um dos programas do menu Auto.

DEFROST/ECO (DESCONGELAR/ECO)

Utilize esta tecla para descongelar os alimentos por tempo e peso. Utilize esta tecla para poupar energia.

TIMER/Mute (TEMPORIZADOR/Sem som)

Prima este botão no modo de espera para entrar na seleção de som ligado/desligado

0 – 9

Prima estas teclas para indicar o tempo de cozedura e o peso. Servem igualmente para ajustar a hora.

STOP/CANCEL

Use esta tecla para parar ou cancelar a configuração. Pressione por 3 segundos para ativar o bloqueio infantil. START/+30 SEC

Prima esta tecla para iniciar uma cozedura rápida de 30 segundos, aumentar o tempo de cozedura de 30 segundos (a cada pressão) ou validar os seus ajustes.

FUNCIONAMENTO

RELÓGIO

O forno está equipado com um relógio digital. Quando o forno está no modo de espera, o relógio pode ser ajustado pressionando a tecla Clock por 3 segundos.

1. Pressione as teclas numéricas (0-9) e insira a hora. Por exemplo, para inserir a hora atual 12:30, deve pressionar "1", "2", "3", "0". A hora inserida deve estar entre 1 e 24 e os minutos inseridos devem estar entre 0 e 59.
2. Pressione a tecla Iniciar para concluir a configuração do relógio. ":" começará a piscar. A configuração do relógio está concluída.

OBSERVAÇÃO:

Certifica-se que ajustou o relógio antes de o utilizar.

Utilize o temporizador para ajustar um alarme.

1. Pressione a tecla Timer. O ecrã exibe »:«.
2. Prima as teclas digitais (0 a 9) para indicar a duração de funcionamento que o temporizador deve medir. A duração máxima que pode ajustar é de 99 minutos e 99 segundos.
3. Prima a tecla "START" para validar o seu ajuste.
4. Quando a duração ajustada chega ao fim, ouve-se tocar um sinal sonoro e o forno volta ao seu estado inicial.

OBSERVAÇÃO:

- Quando o temporizador está em funcionamento, as outras funções já não estão disponíveis.
- Quando o forno não está em funcionamento, pode utilizar o temporizador como conta-minutos.
- Verifique se o relógio foi acertado.

TIMER/MUTE
(TEMPORIZADOR/SEM SOM)

TEMPORIZADOR

TIMER/MUTE
(TEMPORIZADOR/SEM SOM)
MUTE (SEM SOM)

Prima continuamente este botão no modo de espera para entrar na seleção de som ligado/desligado e apresentar a informação correspondente para ligar ou desligar. Após selecionar o som para ligar ou desligar, prima o botão "STOP" (PARAR) para sair da seleção. O som da campainha pode ser ligado ou desligado de acordo com as definições correspondentes.

MICROW. (MICRO-ONDAS)

Existem 10 níveis de potência de micro-ondas, 100P, 90P, 80P, 70P, 60P, 50P, 40p, 30P, 20P e 10P, respetivamente. Prima continuamente o botão "Microw." (Micro-ondas) e seleccione a potência de micro-ondas desejada. Prima os botões numéricos 0~9 para inserir o tempo de cozedura; o tempo máximo que pode ser inserido é 99:99.

Após inserir o tempo de cozedura, prima o botão "START/+30s" (INICIAR/+30 s) para iniciar o funcionamento. Um aviso sonoro notifica a conclusão da operação.

OBSERVAÇÃO:

São utilizadas potências diferentes, em função dos alimentos a preparar.

HIGH	100% e 90% de potência	para um cozimento rápido e completo
M.High	80% e 70% de potência	para cozimento expresso médio
Med	60% e 50% de potência	para cozer alimentos a vapor
M.Low	40% e 30% de potência	para descongelar alimentos
LOW	20% e 10% de potência	para manter quente

COZEDURA AUTO

Em modo Cozedura automática, basta seleccionar o tipo de alimento e o seu peso ou a sua quantidade. O forno trata de ajustar a potência e a duração de cozedura que convém.

Por exemplo, se quiser cozer duas batatas, siga as etapas abaixo.

1. Prima várias vezes a tecla "Potato" para seleccionar a opção »peso« do seu alimento. Refere-se à tabela do menu Cozedura Auto para mais informações.
2. Prima a tecla "START" para validar o seu ajuste e iniciar a cozedura.

Menu	Visor	Peso
A1 Batata	250	250 g
	500	500 g
	750	750 g
A2 Massa	50	50 g
	100	100 g
	150	150 g
A3 Pizza	200	200 g
	400	400 g
A4 Pipocas	100	100 g
A5 Legumes	200	200 g
	400	400 g
	600	600 g
A6 Bebidas	1	250 ml
	2	500 ml
	3	750 ml
A7 Carne	200	200 g
	400	400 g
	600	600 g
A8 Peixe	200	200 g
	400	400 g
	600	600 g

OBSERVAÇÃO:

- Talvez tenha de virar alguns alimentos durante a cozedura para que estes fiquem bem cozidos e que alouram uniformemente.
- A densidade e a espessura dos alimentos podem influir no seu tempo de cozedura.
- Todas as durações de cozedura estão indicadas a título indicativo; adapte-os ao seu gosto e às suas receitas.
- No seu forno de micro-ondas, apenas utilize recipientes compatíveis e película filme especial micro-ondas. Antes da cozedura, fure a película com um garfo.

REAQUECER

A função de reaquecimento é principalmente para facilitar que os utilizadores aqueçam os alimentos de acordo com o peso dos mesmos, pressione o botão "Reheat" continuamente, selecione o peso apropriado dos alimentos, os valores de peso que podem ser

selecionados são 200 g, 400 g, 600 g, 800 g e 1000 g. Depois de selecionar o peso, pressione o botão "START/+30s" para arrancar, e será emitido um zumbido para notificar a conclusão da operação.

DESCONGELAMENTO CONSOANTE O PESO (AUTO) dEF1

O forno permite-lhe descongelar a carne, a ave, o peixe e o marisco. A duração de descongelação e a potência ajustam-se automaticamente em função do peso que indique. Os alimentos a descongelar podem pesar entre 100 g e 1500 g.

1. Prima uma vez a tecla "Weight Defrost"; o ecrã exhibe então »dEF1«.
2. Prima as teclas digitais (0 a 9) para indicar o peso. Por exemplo, indique o peso premindo »6«, »0«, »0« para 600 g.
3. Prima a tecla "START" para validar o seu ajuste e iniciar a cozedura.

OBSERVAÇÃO:

As grandes peças podem estar congeladas no centro. Por conseguinte, para que o descongelamento seja uniforme, vire os alimentos de vez em quando e separe-os em pedaços pequenos durante a operação.

Escorra os líquidos durante o descongelamento, pois o molho dos alimentos pode aquecer e cozer os alimentos.

O forno permite igualmente a descongelação rápida.

1. Prima uma vez a tecla "Time Defrost"; o ecrã exhibe então »dEF2 «.
2. Prima as teclas digitais (0 a 9) para indicar o tempo de descongelamento. Por exemplo, indica a duração de descongelamento premindo »5«, »3«, »0« para uma operação de 5 minutos e 30 segundos.
3. Prima a tecla "START" para validar o seu ajuste e iniciar a cozedura.

OBSERVAÇÃO:

Quando decorre a metade do tempo de descongelacao defi nido, o forno toca duas vezes para lhe lembrar que e necessario virar os alimentos. Feito isso, volte a fechar a porta e toque na tecla INICIAR.

As grandes peças podem estar congeladas no centro. Por conseguinte, para que o descongelamento seja uniforme, vire os alimentos de vez em quando e separe-os em pedaços pequenos durante a operação.

Escorra os líquidos durante o descongelamento, pois o molho dos alimentos pode aquecer e cozer os alimentos.

DESCONGELAMENTO CONSOANTE O TEMPO (VELOCIDADE) dEF2

DEFROST/ECO
(DESCONGELAR/ECO)
ECO

No modo de espera, prima continuamente o botão para entrar no modo ECO e o visor irá desligar. No modo ECO, prima qualquer botão para sair do modo ECO e o visor irá acender-se.

ARRANQUE RÁPIDO

Conselhos para a utilização do forno

Utilize esta função para aquecer ou cozer rapidamente os seus alimentos no micro-ondas à 100% da sua potência. O forno estando em stand-by, toque na tecla "START": o aparelho funciona durante 30 segundos. Cada pressão sucessiva nesta mesma tecla prolonga a cozedura de 30 segundos.

OBSERVAÇÃO:

O facto de pressionar novamente a tecla "START" prolonga a duração de funcionamento de 30 segundos para todos os programas, excepto para a Cozedura automática, a Cozedura em várias etapas e a Descongelação automática.

SEGURANÇA
CRIANÇAS

Use esta função para bloquear o painel de controlo quando estiver a limpá-lo ou para que as crianças não usem o forno sem supervisão. Todos os botões ficam inoperantes neste modo.

- 1) Definir bloqueio: pressionar o botão STOP por cerca de 3 segundos.
- 2) Cancelar bloqueio: pressionar o botão STOP por cerca de 3 segundos.

Utilize esta função para desativar os bips das teclas.

Prima a tecla »8« até ouvir dois bips rápidos. Os bips das teclas estão agora desativados (os bips de fim de cozedura continuarão de tocar).

Para reativar os bips das teclas, prima a tecla »8« até ouvir dois bips rápidos.

1. Antes de proceder à limpeza, pare o forno e desligue-o.
2. Mantenha o interior do forno em bom estado de limpeza. Se alguns salpicos aderirem às paredes, remova-as com uma esponja húmida. Os detergentes agressivos ou abrasivos não são recomendados.
3. Limpe a carroçaria com uma esponja húmida. Tente não deixar cair água nas fendas de ventilação para não danificar os componentes do forno.
4. Tente manter o painel de comandos sempre seco. Limpe-o com um pano macio e húmido. Não utilize nenhum detergente, produto abrasivo nem aerossol para limpar o painel de comandos.
5. Se se acumular vapor na face interna da porta ou na sua periferia, no exterior, limpe-a com um pano macio. Este fenómeno pode ocorrer quando o forno de micro-ondas funciona em condições de humidade elevada; isso não indica de forma alguma uma disfunção do forno.
6. Por vezes não é necessário retirar o prato rotativo para o limpar. Pode lavá-lo com água quente e sabão ou na sua máquina de lavar louça.
7. A coroa com rodinhas e a parte inferior da cavidade devem ser tratadas regularmente para evitar qualquer ruído excessivo. Limpe simplesmente a parte inferior do forno com água e um detergente leve ou com um produto para os vidros, e depois seque cuidadosamente. Pode lavar a coroa com rodinhas e água morna e sabão ou na sua máquina de lavar louça. Os vapores de cozedura que fazem condensação durante utilizações repetidas não degradam de forma alguma as superfícies na parte inferior do forno nem as rodinhas da coroa. Se retirar a coroa de rodinhas para a limpeza, tente voltar a colocá-la no lugar na sua posição inicial.
8. Para eliminar os odores desagradáveis, coloque no forno uma tigela com água e sumo de limão e da sua casca. Ponha a funcionar o forno durante 5 minutos em modo micro-ondas, e depois passe a esponja e limpe cuidadosamente com um pano seco.

AMBIENTE

Quando já não funcionar, não deite o forno juntamente com o lixo doméstico, entregue-o a um organismo autorizado para este efeito, onde pode ser reciclado. Contribuirá assim à proteção do ambiente.

INSTALAÇÃO DO FORNO DE MICRO-ONDAS

INSTALAÇÃO

1. Tente retirar todos os materiais da embalagem que se encontram no interior do forno.
2. Após ter removido da embalagem o forno, verifique se está em bom estado de funcionamento, tendo um especial cuidado para os seguintes pontos:
 - Porta mal alinhada
 - Porta danificada
 - Entalhes ou orifícios na porta ou mostrador
 - Amoladelas ou orifícios na cavidade.Se notar um dos defeitos acima mencionados, **NÃO UTILIZE** o forno.
3. Este forno de micro-ondas pesa 11 kg e deve ser instalado na horizontal numa superfície suficientemente sólida para suportar o seu peso.
4. Deve ficar distante das fontes de calor elevado e das libertações de vapores.
5. **NÃO PONHA NADA** por cima do forno.
6. Mantenha o forno a pelo menos 20 cm de distância de ambas as paredes laterais e a 30 cm de distância da parede superior para garantir uma ventilação correta.
7. **NÃO RETIRE** o eixo de arrastamento do prato rotativo.
8. Vigie as crianças quando estas utilizam o forno.
9. A localização da ficha mural deve estar adaptada ao comprimento do cabo elétrico.
10. A potência do forno é de 1,1 quilovoltâmperos. Sugerimo-lhe de consultar um electricista antes de instalar o forno.

AVISO: para a sua segurança, o forno está equipado de um fusível de 250 Volts, 8 Amperos

CARACTERÍSTICAS TÉCNICAS

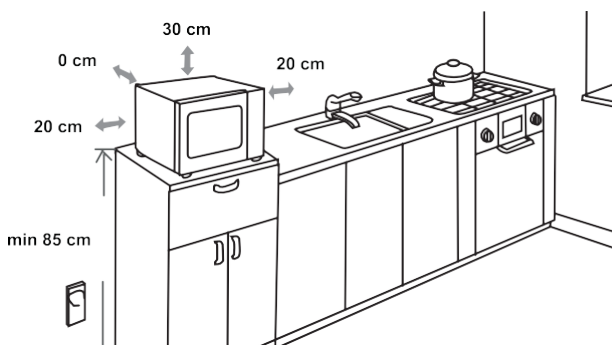
Ligação elétrica.....	220-240V~50Hz, 1150W
Potência dos micro-ondas.....	700W
Frequência	2450MHz
Dimensões do forno.....	451 x 283 x 364 mm
Peso do forno	20 litros
Peso líquido.....	cerca de 11 kg
Nível sonoro	Lc < 61 dB (A)



Este forno tem a marcação conforme à diretiva 2012/19/EU relativa aos resíduos dos equipamentos elétricos e eletrónicos (DEEE).

Esta diretiva é aplicável nos países da CE e define o quadro para a retoma e a reciclagem dos fornos eletro-domésticos no fim de vida útil.

DIMENSÕES DE EMBUTIMENTO



INTERFERÊNCIAS RÁDIO

O seu forno de micro-ondas pode provocar interferências com o seu receptor rádio, o seu televisor, ou outros fornos similares. Para eliminá-las ou reduzi-las, tome as seguintes medidas.

- Limpe a porta e a sua junta de impermeabilidade.
- Coloque o rádio, a TV, etc. tão longe quanto possível do forno.
- Instale uma antena conveniente para o seu receptor rádio ou TV para melhorar a recepção do sinal.

RESERVAMO-NOS O DIREITO DE PROCEDER A MODIFICAÇÕES QUE NÃO TÊM QUALQUER INCIDÊNCIA NO FUNCIONAMENTO DO FORNO.

ANTES DE CONTACTAR O SERVIÇO PÓS-VENDA

1. Se o forno não funcionar mesmo, o mostrador não liga ou apaga-se.
 - a) Verifique se o forno está corretamente ligado.
Se não for o caso, retire a ficha da ficha elétrica, aguarde 10 segundos e volte a ligar o forno convenientemente.
 - b) Verifique se o fusível não saltou ou se o disjuntor não disjuntou. Se estes funcionarem normalmente, teste a ficha mural ligando outro aparelho.
2. Se o forno não funcionar em modo micro-ondas:
 - a) Verifique se a duração de cozedura ficou ajustada.
 - b) Verifique se a porta está bem fechada e se o bloqueio está activado. Caso contrário, o fluxo dos micro-ondas não podem chegar no forno.

Se o forno continuar a funcionar após ter efetuado as verificações acima indicadas, contate o serviço pós venda.

Este forno doméstico destinado à cozedura dos alimentos e das bebidas funciona com ondas eletromagnéticas e deve ser utilizado exclusivamente no interior.

GARANTIA E SERVIÇO

Se pretender obter informações suplementares ou se encontrar um problema, contacte o Serviço dos Consumidores Hisense do seu país (encontrará o número de telefone correspondente no folheto de garantia internacional). Se não existir nenhum Serviço Consumidores Hisense no seu país, informe-se junto do seu revendedor Hisense local ou contate o «Service Department of Hisense Domestic Appliances».

Reservado para uma utilização doméstica!

DESEJAMOS-LHE MUITO PRAZER NA UTILIZAÇÃO DO SEU FORNO

Hisense

GEACHTE KOPER

Wij danken u hartelijk voor de aankoop van deze magnetron. Wees ervan overtuigd, dat u op onze producten kunt vertrouwen.

Voor een gemakkelijker gebruik van het product hebben we een uitgebreide gebruiksaanwijzing bijgevoegd met de bedoeling om u zo snel mogelijk bekend te maken met uw nieuwe apparaat. Lees voor het gebruik van het apparaat de gebruiksaanwijzing eerst aandachtig door.

Controleer altijd eerst of u een onbeschadigd apparaat heeft ontvangen. Neem bij de constatering van transportschade contact op met de verkoper van het apparaat of met het plaatselijke magazijn, waar u het apparaat in ontvangst heeft genomen. Het telefoonnummer vindt u op de rekening of op het bewijs van ontvangst.

Wij wensen u veel plezier met het nieuwe apparaat.



Het apparaat is uitsluitend bestemd voor huishoudelijk gebruik en wel voor het verwarmen van eten en drinken met behulp van elektromagnetische energie. Het apparaat mag alleen in gesloten ruimten worden gebruikt.

GEBRUIKSAANWIJZING

De gebruiksaanwijzing is bestemd voor de gebruiker en beschrijft het apparaat en het gebruik ervan. De instructies zijn aangepast aan verschillende typen apparaten, waardoor functies kunnen worden beschreven, die uw apparaat niet bezit.

ENERGIEVERBRUIK

Productinformatie voor stroomverbruik en maximale tijd om toepasselijke spaarstand te bereiken.

Uitstand	0.8W
----------	------

De maximale tijd die de magnetronoven nodig heeft om automatisch de stand of	15 minuten
toestand voor laag energieverbruik te bereiken.	

Wij behouden ons het recht voor tot mogelijke veranderingen en fouten in deze gebruiksaanwijzing.



Raak nooit het oppervlak van verwarmingselementen of kooktoestellen aan, deze kunnen erg warm worden. De binnenzijde van het apparaat en de verwarmingselementen raken sterk verhit. Verbrandingsgevaar! Houdt kinderen uit de buurt.



Bron van microgolven en hoogspanning!
Niet het deksel verwijderen.

LET OP! Tijdens het gebruik kunnen huishoudelijke apparaten en delen ervan heet worden. Raak geen hete oppervlakten aan. Kinderen, jonger dan 8 jaar mogen zich niet in de buurt van het apparaat bevinden. Het apparaat mag alleen worden gebruikt door personen ouder dan 8 jaar en ook met verminderde lichamelijke, zintuigelijke en verstandelijke vermogens evenals door personen met gebrekkige ervaring of kennis, mits deze onder toezicht staan of aanwijzingen krijgen voor een veilig gebruik en zich bewust zijn van de gevaren bij het gebruik. Houdt kinderen in het oog en laat ze niet met het apparaat spelen. Kinderen mogen het apparaat niet reinigen of onderhouden, tenzij zij ouder zijn dan 8 jaar en onder toezicht staan. Houdt het apparaat en de aansluitkabel buiten bereik van kinderen jonger dan 8 jaar.

- **LET OP:** Als het apparaat in de gecombineerde stand werkt, mogen, door de hoge temperaturen die ontstaan, kinderen het apparaat slechts bedienen onder toezicht van volwassenen (alleen bij de grill functie).
- **LET OP:** Als de deur of het rubber van de deur beschadigd is, mag men het apparaat niet gebruiken, zolang deze niet door een erkende servicemonteur is gerepareerd.
- **LET OP:** Reparaties aan het apparaat mogen alleen door een erkend servicemonteur worden uitgevoerd.
- **LET OP:** Vloeistoffen en ander voedsel in luchtdichte verpakking of dozen mogen niet verhit worden, gevaar van ontploffing.
- Verwijder niet de pootjes van de oven en houdt de ventilatieopeningen vrij.
- Gebruik alleen keukengerei, geschikt voor het gebruik in een magnetron oven.
- Controleer bij het verwarmen van voedsel in plastic of papieren verpakking het verwarmingsproces, de verpakking kan vlam vatten.
- Als u rook ontdekt, doe het apparaat dan onmiddellijk uit en trek de stekker uit het stopcontact, laat de deur dicht om het vuur te doven.
- Als u in de magnetron drankjes verwarmt, kunnen deze heel heet worden en overkoken, wees dus voorzichtig hiermee.
- Om verbranding te voorkomen dient u voor gebruik babyflesjes en potjes met babyvoedsel te schudden en de temperatuur te controleren.

- Verwarm in de magnetron geen eieren in de schaal of hele gekookte eieren, aangezien deze kunnen ontploffen ook al is het verhittingsproces al beëindigd.
- Gebruik voor het reinigen van de deur en het deurrubber een mild (geen agressief) reinigingsmiddel met een spons of zachte doek.
- Reinig de oven regelmatig en verwijder voedselresten.
- Als u de magnetron niet regelmatig reinigt en onderhoudt, kunnen oppervlakten slijten, hetgeen een negatieve invloed heeft op de levensduur van het apparaat en het risico van gevaar bij het gebruik verhoogt.
- Een beschadigde aansluitkabel mag alleen door een erkend vakman worden vervangen.
- Let op dat de kabel niet over de rand van tafel of werkblad hangt.
- Gebruik voor een aanzetten geen tijdschakelaar of een schakelaar op afstandbediening om gevaar te voorkomen.
- Vervang de verlichting in de oven niet zelf en laat dit ook niet doen door iemand, die niet door Hisense gemachtigd is om dit te doen. Neem contact op met het Hisense servicecentrum.
- **LET OP:** Gebruik voor de reiniging van de magnetron geen ovenreinigers, stoom, bijtende schuurmiddelen, middelen met caustic soda of stalen pannensponsjes.

Hierna worden enkele maatregelen genoemd die in acht moeten worden genomen, om zoals bij alle apparaten een veilige en doelmatige werking te garanderen:

1. Tijdens de werking van de oven moeten de glazen plaat, de hendel van de rol en de pen voor de rol zich altijd op de juiste plaats bevinden.
2. Gebruik de oven voor geen ander doel dan het bereiden van voedsel. Droog er geen papier, kleding of andere voorwerpen in en gebruik hem niet voor sterilisatie.
3. Doe de oven nooit aan als hij leeg is, hij kan dan beschadigen.
4. Bewaar in de oven nooit zaken als papier, kookboeken enz.
5. Bereidt nooit geen eten met een vel, schaal of schil, zoals eierdooiers, aardappelen, kippenlevertjes enz. prik de vel eerst op meerdere plaatsen door met een vork.
6. Plaats geen voorwerpen in of tegen de openingen aan de buitenkant van de oven.
7. Verwijder nooit delen van de oven, zoals de pootjes, vergrendeling, schroeven enz.
8. Kook geen voedsel direct op de glazen plaat. Doe het voedsel eerst in een geschikte schaal, bak of ander geschikt gebruiksartikel.

BELANGRIJK: Keukengerei dat u niet in de oven mag gebruiken:

- Gebruik geen metalen pannen of bakken met metalen handgrepen.
 - Gebruik geen dozen met metalen randen.
 - Gebruik geen melamine schalen, aangezien deze elektromagnetische energie absorberen. Hierdoor kan de schaal barsten of vlam vatten. Daarnaast wordt het kook/verhittingsproces belangrijk vertraagd.
 - Gebruik geen schalen zonder speciale coating voor het gebruik in magnetron ovens.
 - Bereidt geen voedsel in een glazen pot of fles met een smalle hals, aangezien deze tijdens verhitting kan barsten.
 - Gebruik geen gewone termometers voor vlees of gebak. Gebruik alleen termometers, speciaal bestemd voor magnetrons.
9. Gebruik de hulpmiddelen voor de magnetron alleen in overeenstemming met de aanwijzingen van de fabrikant.
 10. Probeer niet te frituren met de magnetron!

11. Wees erop bedacht, dat in de oven alleen de vloeistof wordt verhit en niet de doos of schaal, waarin deze zich bevindt. Daarom bestaat de mogelijkheid, dat als u het deksel verwijdert hete stoom ontsnapt uit de doos, hoewel deze zelf niet warm wordt.
12. Controleer voor het eten altijd eerst de temperatuur van het eten, vooral als het bestemd is voor kinderen. Wij bevelen aan het eten uit de magnetron niet meteen te eten, maar enige minuten te laten staan en indien mogelijk te roeren, zodat de temperatuur gelijkmatig wordt verdeeld.
13. Eten dat bestaat uit een mengsel van vetten en water, zoals bijv. soepen, moeten we na het uitschakelen van de oven nog ongeveer 30 tot 60 seconden laten staan. Hierdoor krijgt het mengsel de tijd te stabiliseren en wordt voorkomen, dat luchtbellen ontsnappen, bijv. bij het roeren of bij het toevoegen van een soepblokje.
14. Wees erop bedacht, dat sommige gerechten, zoals bijv. kerstupping, jam en gehakt zeer snel opwarmen. Als u voedsel verhit of kookt met een hoog vetgehalte, gebruik dan geen plastic schalen.
15. Keukengerei kan bij gebruik in een magnetron zeer heet worden, aangezien het eten warmte afgeeft. Dit is in het bijzonder het geval bij bekertjes met een oor en bij dozen met een deksel of plastic afdekking. Bij het uitnemen van deze voorwerpen dient u ovenwanten te gebruiken.
16. Om brandgevaar te voorkomen:
 - a) Let op, dat het voedsel niet te lang kookt. Houdt het kookproces goed in het oog, als het eten zich bevindt in verpakking van papier, plastic of ander brandbaar materiaal.
 - b) Verwijder voordat u een zakje in de oven doet eerst eventuele metalen sluiters.
 - c) Laat, als een voorwerp in de oven vlam mocht vatten de deur van de oven dicht, doe de oven van het lichtnet of schakel de hoofdzekering uit.

OVEN DIAGRAM



Potato



Pasta



Pizza



Popcorn



Vegetable



Beverage



Meat



Reheat



Fish

Microw.

Defrost/ECO

Timer/Mute

1

2

3

4

5

6

7

8

9

STOP

Cancel

0

Clock

START

+30 Sec

DISPLAY

Toont de klok, kooktijd en instelling.

DEFROST (ONTDOOIEN)

Gebruik deze toets om het voedsel op tijd of gewicht te ontdooien

MICROW. (MAGNETRON)

Gebruik deze toets om het vermogensniveau van de magnetron te selecteren.

CLOCK (KLOK)

Houd deze toets 3 seconden ingedrukt om de klok in te stellen.

TIMER

Gebruik deze toets om de timerfunctie in te stellen.

PICTOGRAMMEN

Gebruik deze toetsen om de tijd en het gewicht van het voedsel in te stellen en de automatische menuprogramma's te kiezen.

DEFROST/ECO

Gebruik deze toets om het voedsel op basis van tijd of gewicht te ontdooien. Gebruik deze toets om stroom besparen.

TIMER/Mute

Druk op deze toets in de stand-bymodus om geluid in of uit te schakelenc

0 - 9

Gebruik deze toetsen om de kooktijd en het gewicht in te voeren. Hiermee kan ook de tijd worden ingesteld.

STOP/CANCEL (STOP/ANNULEREN)

Gebruik deze toets om de instelling te stoppen of te annuleren.Houd 3 seconden ingedrukt voor het kinderslot.

START/+30 SEC

Gebruik deze toets voor een snelstart van een kooktijd van 30 seconden, de kooktijd met 30 seconden te verlengen (bij elke druk) of de kookinstellingen te bevestigen.

KLOK

De oven is uitgerust met een digitale klok. Als de oven in stand-by staat, kan de klok worden ingesteld door de kloktoets 3 seconden ingedrukt te houden.

1. Druk op de cijfertoetsen (0-9) en voer de tijd in. Om bijvoorbeeld de huidige tijd 12:30 in te voeren, moet u op "1", "2", "3", "0" drukken. Het ingevoerde uur moet binnen 1-24 liggen en de ingevoerde minuten binnen 0-59.
2. Druk op de Start-toets om de klokinstelling te voltooien. ":" begint te knipperen. De klokinstelling is voltooid.

OPMERKING:

Zorg ervoor dat u de klok vóór gebruik hebt ingesteld.

TIMER/MUTE TIMER

Met de aftelklok kunt u een alarm instellen, dat u wijst op de verstreken tijd.

1. Druk op de toets ~~Kitchen~~ Timer. Het display zal »:« tonen.
2. Druk op de cijfertoetsen (0-9) en voer de timertijd in. De langste tijd die u kunt instellen, is 99 minuten en 99 seconden.
3. Druk op de START-toets om de instelling te bevestigen.
4. Zodra de verstreken tijd is bereikt, klinkt een toon en keert de magnetron terug in de oorspronkelijke toestand.

OPMERKING:

- Als de kookwekker loopt, kunnen andere functies niet worden gebruikt.
- Wanneer de magnetron niet in gebruik is, kunt u met deze functie de magnetron gebruiken als timer.
- Zorg ervoor dat de klok is ingesteld.

TIMER/MUTE MUTE

Houd in de stand-bymodus deze toets ingedrukt om het geluid in of uit te schakelen en de bijbehorende informatie weer te geven. Druk, nadat u het geluid hebt in- of uitgeschakeld, op de toets 'STOP' om de selectiemodus te verlaten. U kunt de zoemer in- of uitschakelen conform de corresponderende instellingen.

MICROW. (MAGNETRON).

Er zijn tien vermogensstanden voor de magnetron: 100P, 90P, 80P, 70P, 60P, 50P, 40P, 30P, 20P en 10P. Druk herhaaldelijk op de toets 'Microw.' en kies het gewenste magnetronvermogen. Druk op de cijfer-toetsen 0 t/m 9 om de kooktijd in te stellen. De maximaal instelbare tijd is 99:99. Druk na het invoeren van de kooktijd op de toets 'START/+30s' om te beginnen met het werk. Na afloop hoort u een zoemer.

OPMERKING:

Verschillende vermogens zijn geschikt voor het bereiden van verschillende gerechten.

HIGH	100% en 90% vermogen	voor snel en op vol vermogen koken
M.High	80% en 70% vermogen	voor gemiddeld snel koken
Med	60% en 50% vermogen	voor het stomen van voedsel
M.Low	40% en 30% vermogen	voor het ontdooien van voedsel
LOW	20% en 10% vermogen	voor warm houden

AUTOMATISCH KOKEN

Bij het automenu is het nodig het soort en de massa/ eenheid van voedsel in te stellen. De oven zal helpen met de instelling van het vermogen en de tijd.

Bijvoorbeeld: als u 2 aardappels wilt koken, volg dan onderstaande stappen.

1. Druk herhaaldelijk op de Potato-toets om de gewicht-optie van het voedsel te kiezen. Raadpleeg de menutabel voor automatisch koken voor meer informatie.
2. Druk op de START-toets om de instelling te bevestigen en te beginnen met koken.

Menu	Display	Gewicht
A1 Aardappel	250	250 g
	500	500 g
	750	750 g
A2 Pasta	50	50 g
	100	100 g
	150	150 g
A3 Pizza	200	200 g
	400	400 g
A4 Popcorn	100	100 g
A5 Groente (diepvries)	200	200 g
	400	400 g
	600	600 g
A6 Drankjes	1	250 ml
	2	500 ml
	3	750 ml
A7 Vlees	200	200 g
	400	400 g
	600	600 g
A8 Vis	200	200 g
	400	400 g
	600	600 g

OPMERKING:

- Sommige gerechten dienen tijdens het bereiden omgedraaid te worden om ervoor te zorgen dat het gerecht goed gaar is en gelijkmatig bruin wordt.
- De dichtheid en dikte van voedsel beïnvloeden de kooktijd.
- Alle kooktijden zijn slechts indicatieve waarden, aan te passen aan smaak en recept van uw voorkeur.
- Gebruik alleen geschikte magnetronbestendige bakjes en plastic huishoudfolie in de magnetron. Prik de folie voor het koken door met een vork.

OPWARMEN

De opwarmfunctie is voornamelijk bedoeld om gebruikers te helpen bij het opwarmen van voedsel op basis van het gewicht ervan. Druk herhaaldelijk op de toets "Reheat" en selecteer het juiste gewicht van het voedsel. U kunt de kiezen uit de volgende gewichten: 200 g, 400 g, 600 g, 800 g en 1000 g. Druk na het selecteren van het gewicht op de toets "START/+30s" om de magnetron te starten. Na afloop van de opwarmtijd klinkt een geluidssignaal.

GEWICHT
(AUTOMATISCH)
ONTDOOIEN
dEF1

De oven maakt het mogelijk vlees, gevogelte en zeebanket te ontdooien. De ontdooitijd wordt automatisch ingesteld naar gelang het gewicht van de bevroren levensmiddelen, dat kan variëren van 100 tot 1500 gram.

1. Druk op de Weight Defrost-toets en het display zal »dEF1« tonen.
2. Druk op de numerieke (0-9) toetsen om het gewicht in te voeren. Voer bijvoorbeeld het gewicht in door te drukken op »6«, »0«, »0« voor 600g.
3. Druk op de START-toets om de instelling te bevestigen en te beginnen met koken.

OPMERKING:

Tijdens het koken of bakken klinken op de helft van de verstreken tijd twee pieptonen, die u eraan herinneren, dat u het eten moet omkeren. Doe het omkeren de deur dicht en druk opnieuw op de knop START. Grote stukken kunnen in het midden bevroren zijn. Draai ze, om gelijkmatig te ontdooien, van tijd tot tijd om en/of breek ze tijdens het ontdooien in kleinere stukken. Neem tijdens het ontdooien vloeistoffen weg, omdat de sappen van voedsel heet kunnen worden en het voedsel kan gaan koken.

TIJD (SNEL)
ONTDOOIEN
dEF2

TIJD (SNEL) ONTDOOIEN

1. Druk op de Time Defrost-toets en het display zal »dEF2« tonen.
2. Druk op de numerieke toetsen (0-9) om de ontdooitijd in te voeren. Voer bijvoorbeeld de ontdooitijd in door 5 minuten en 30 seconden op "5", "3", "0" te drukken.
3. Druk op de START-toets om de instelling te bevestigen en te beginnen met koken.

OPMERKING:

Grote stukken kunnen in het midden bevroren zijn. Draai ze, om gelijkmatig te ontdooien, van tijd tot tijd om en/of breek ze tijdens het ontdooien in kleinere stukken. Neem tijdens het ontdooien vloeistoffen weg, omdat de sappen van voedsel heet kunnen worden en het voedsel kan gaan koken.

DEFROST/ECO
ECO

Houd in de stand-by-modus de toets ingedrukt om naar de ECO-modus te gaan. Het display wordt dan uitgeschakeld. Druk in de ECO-modus op een willekeurige toets om de ECO-modus te verlaten. Het display licht dan op.

Adviezen voor gebruik

Deze functie wordt gebruikt voor het snel verhitten van de oven (microgolven 100%) of wel het koken van eten. Druk in de standby stand op START en de oven zal gedurende 30 seconden werken. Bij elke volgende druk op START ordt de werkingstijd met 30 seconden verlengd.

OPMERKING:

De werkingstijd wordt met ieder druk op de toets START met 30 seconden verlengd, behalve bij het automatisch koken, bij stapsgewijs koken en bij het automatisch ontdooien.

Gebruik deze functie om het bedieningspaneel te vergrendelen wanneer u het schoonmaakt of om ervoor te zorgen dat kinderen de oven niet zonder toezicht kunnen gebruiken. Alle knoppen zijn onbruikbaar in deze modus.

1) Vergrendeling instellen: houd de STOP-knop ongeveer 3 seconden ingedrukt.

2) Vergrendeling deactiveren: houd de STOP-knop ongeveer 3 seconden ingedrukt

1. Neem voor het reinigen de stekker uit het stopkontakt.
2. Zorg dat het interieur van de oven altijd schoon is. Veeg voedselresten of gespatte vloeistofresten af met een vochtige doek. Het gebruik van schuurmiddelen of agressieve reiningsmiddelen wordt niet aanbevolen.
3. Maak de buitenkant van de oven schoon met een vochtige doek. Zorg ervoor, dat er geen vocht in de sleuven van de ventilatie kan komen om beschadiging te voorkomen.
4. Zorg ervoor, dat het display niet nat wordt. Reinig het met een zachte, vochtige doek. Gebruik geen agressieve (schuur)middelen of sprays.
5. Als er in de oven condens ontstaat, veeg dit dan af met een zachte doek. Condensvorming kan ontstaan in zeer vochtige ruimten en betekent geen fout in de werking van het apparaat.
6. Af en toe dient de glasplaat te worden verwijderd en gereinigd. Was de plaat in warm water met wat afwasmiddel of in de vaatwasmachine.
7. De draairing en de bodem van de oven dienen regelmatig gereinigd te worden, aangezien de oven tijdens de werking luidruchtig kan worden. Veeg de bodem eenvoudig schoon met een mild wasmiddel, water of een wasmiddel voor glazen ramen en droog de bodem af. De draairing kunt u afwassen met een wasmiddel of in de vaatwasmachine. Bij langer gebruik kunnen de wielletjes vochtig worden, maar dit heeft geen invloed op de werking. Zorg dat u de draairing weer op de juiste manier terugplaatst in de uitsparing.
8. Mogelijke onaangename geuren in de oven kunt u verwijderen door een diepe bak voor het bereiden van voedsel in de magnetron te vullen met water en daarin een gesneden schil van een citroen te doen. Droog de binnenkant van de oven na het draaien goed af met een droge doek.

MILIEU

Gooi het apparaat na het verstrijken van de levensduur niet weg met gewoon afval, maar deponeer het op een officiële plaats voor recycling. Zo helpt u mee aan het behoud van het milieu.

PLAATSING

1. Controleer eerst of u al het verpakkingsmateriaal heeft verwijderd. Verwijder geen karton, dat dient ter bescherming van de magnetron.
2. Controleer na de verwijdering van de verpakking of de oven zichtbare beschadigingen heeft, bijv.:
 - een hangende deur,
 - beschadigde deur,
 - barsten of gaten in het venster van de deur of het display
 - deuken aan de binnenzijde van de oven.Gebruik de oven niet als u enige vorm van beschadiging bemerkt.
3. De oven heeft een gewicht van 11 kg; plaats hem in horizontale stand op een harde ondergrond, die het gewicht van de oven kan dragen.
4. Plaats de oven op voldoende afstand van andere warmtebronnen met hoge temperaturen.
5. Zet niets op de oven.
6. Houd de oven op minstens 20 cm afstand van beide zijwanden en op 30 cm afstand van de bovenwand om voor de juiste ventilatie te zorgen.
7. Verwijder niet de aandrijfstift van het draaiende onderstel.
8. Zorg zoals bij alle elektrische apparaten voor voldoende controle als kinderen het apparaat gebruiken.
9. De wandkontaktdoos moet gemakkelijk bereikbaar zijn om het apparaat in geval van nood eenvoudig te kunnen uitschakelen. Overeenkomstig de aanwijzingen kunt u de oven ook aansluiten op een elektrische leiding met een schakelaar voor het snel uitschakelen van de voeding. Het apparaat moet worden aangesloten op een eenfase stopkontakt voor wisselspanning van 220-240V/50Hz. **WAARSCHUWING! HET APPARAAT MOET GEAARD ZIJN!** De fabrikant verwerpt iedere vorm van aansprakelijkheid, als deze veiligheidsmaatregel niet in acht wordt genomen.
10. De oven heeft een inputvermogen nodig van 1,1 kVA. Wij bevelen aan, de plaatsing te laten uitvoeren door een service monteur of erkend vakman.

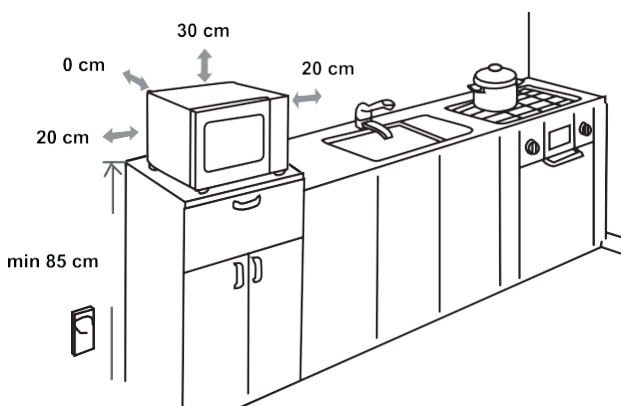
LET OP: De oven heeft een eigen bescherming in de vorm van een zekering van 250V, 8A.

TECHNISCHE GEGEVENS

Energieverbruik	220-240V~50Hz, 1150W
Uitgangsvermogen	700W
Werkfrequentie	2450MHz
Afmetingen	451 x 283 x 364 mm
Inhoud	20 l
Gewicht zonder verpakking:	ca. 11 kg
Geluidsniveau:	Lc < 61 dB (A)



Het apparaat is gemerkt volgens de EU richtlijn 2012/19 voor elektrisch en elektronisch afval (waste electrical and electronic equipment – WEEE). De richtlijnen regelen de inzameling en behandeling van elektrisch en elektronisch afval en gelden voor de hele EU.



RADIO STORING (INTERFERENCE)

De magnetron kan storing veroorzaken bij radio, TV of soortgelijke ontvangst. Bij storing kunt u de volgende dingen doen:

- Reinig de deur en het deurrubber van de oven.
- Plaats uw radio, TV ed. zover mogelijk van de oven.
- Gebruik bij radio en TV ontvangst een geschikte antenne, die een goede ontvangst mogelijk maakt.

WIJ BEHOUDEN ONS HET RECHT VOOR TOT
VERANDERINGEN, DIE GEEN INVLOED HEBBEN OP
DE WERKING VAN HET APPARAAT.

VOORDAT U EEN MONTEUR BELT

1. Als de oven helemaal niet werkt, het display blijkt zwart:
 - a) Controleer of de oven juist is aangesloten op het net. Zo niet, haal de stekker uit het stopcontact, wacht 10 seconden en doe hem er weer in.
 - b) Controleer of bij het apparaat de zekering is doorgebrand en de hoofdzekering in orde is. Als u geen fout kunt ontdekken, probeer dan het stopcontact met een ander apparaat.
2. Als de oven niet verwarmt of geen energie afgeeft:
 - a) Controleer of de programmaklok juist is ingesteld.
 - b) Controleer of de deur goed gesloten is en het veiligheidsslot vergrendeld is. Is dat niet het geval, dan zal de oven geen energie afgeven.

Als het ondanks de bovenstaande aanwijzingen niet lukt het probleem op te lossen, roep dan de hulp in van een service monteur.

GARANTIE EN SERVICE

In geval van problemen of vragen kunt u zich richten tot het Hisense centrum voor hulp aan gebruikers in uw land (de telefoonnummers vindt u in het internationale garantiecertificaat). Indien zich in uw land geen centrum bevindt, richt u zich dan tot het plaatselijke Hisense verkooppunt of de Hisense afdeling voor huishoudelijke apparaten.

Alleen voor persoonlijk gebruik!

WIJ WENSEN U VEEL PLEZIER BIJ HET GEBRUIK VAN UW MAGNETRON

Hisense

SEHR GEEHRTER KUNDE

Wir bedanken uns für das Vertrauen, das Sie uns mit dem Kauf unseres Geräts erwiesen haben. Beim Gebrauch wünschen wir Ihnen viel Vergnügen.

Zum Verpacken unserer Produkte werden umweltfreundliche Materialien verwendet, die ohne Gefahr für die Umwelt wiederverwertet (recycelt), entsorgt oder vernichtet werden können.

Hierzu sind die Verpackungsmaterialien entsprechend gekennzeichnet.



Das Gerät ist ausschließlich zum Gebrauch im Haushalt bestimmt und zwar zum Erhitzen von Speisen und Getränken mit elektromagnetischer Energie.

Verwenden Sie das Gerät nur in geschlossenen Räumen.

BEDIENUNGS- ANLEITUNG

Die Bedienungsanleitung ist für den Benutzer bestimmt. Sie beschreibt das Gerät und seine Bedienung. Sie gilt für verschiedene Gerätetypen, deswegen kann sie auch Beschreibungen von Funktionen beinhalten, die Ihr Gerät nicht besitzt.

STROMVERBRAUCH

Produktinformation zum Stromverbrauch und zur maximalen Zeit bis zum Erreichen des jeweiligen Energiesparmodus.

Aus-Modus	0.8W
-----------	------

Die maximale Zeit, die der Mikrowellenherd benötigt, um automatisch den entsprechenden Energiesparmodus oder -zustand zu erreichen. 15 Minuten

Wir behalten uns das Recht auf eventuelle Änderungen und Fehler in der Gebrauchsanleitung vor.



Berühren Sie niemals die Oberflächen von Heiz- oder Kochgeräten. Sie werden während des Betriebs heiß. Halten Sie Kinder in einem sicheren Abstand. Es kann die Gefahr von Leckstrahlung!



Mikrowellenenergie & Hochspannung!
Entfernen Sie keine Abdeckung.

WARNUNG! Das Gerät und seine zugänglichen Teile werden im Betrieb heiß. Kontakt mit den Heizelementen sollte unbedingt vermieden werden.

Dieses Gerät kann von Kindern ab 8 Jahren sowie von Personen mit eingeschränkten körperlichen, sensorischen oder geistigen Fähigkeiten bzw. mit mangelnder Erfahrung verwendet werden, wenn sie unter Aufsicht stehen oder in die sichere Benutzung eingewiesen wurden und die damit verbundenen Gefahren verstehen. Kinder sind zu beaufsichtigen und sollten nicht mit dem Gerät spielen. Die Reinigung und Benutzerwartung darf nicht von Kindern ausgeführt werden, es sei denn, sie sind über 8 Jahre alt und stehen dabei unter Aufsicht.

- **HINWEIS:** Wenn das Gerät in der Betriebsart Kombi arbeitet, dürfen Kinder das Gerät wegen der sehr hohen Temperaturen nur unter sorgfältiger Aufsicht erwachsener Personen gebrauchen (gilt nur für Geräte mit Grillfunktion).
- **HINWEIS:** Bei Beschädigung der Gerätetür oder der Türdichtungen darf das Mikrowellengerät so lange nicht benutzt werden, bis es von einem autorisierten Kundendienstfachmann instandgesetzt worden ist.
- **HINWEIS:** Jegliche Reparatur- oder Kundendienstarbeiten, bei welchen die Abdeckung

des Geräts entfernt werden muß und die von nicht autorisierten Personen durchgeführt werden, ist gefährlich und riskant.

- **HINWEIS:** Keine Flüssigkeiten oder Nahrungsmittel in dicht verschlossenen Gefäßen oder Verpackungen erhitzen, da diese bersten können.
- Die Gerätefüße nicht entfernen und die Lüftungsöffnungen nicht bedecken.
- Verwenden Sie ausschließlich mikrowellentaugliches Geschirr und Zubehör.
- Beim Erhitzen von Speisen in Kunststoff- oder Papierverpackung bzw.
- Behältern, den Vorgang wegen Brandgefahr beaufsichtigen.
- Bei Auftreten von Rauch den Mikrowellenherd sofort abschalten, das Gerät vom elektrischen Versorgungsnetz trennen und die Gerätetür geschlossen lassen, um eventuelle Flammen zu ersticken.
- Wenn Sie im Mikrowellengerät Getränke erhitzen, kann das Getränk nach einer gewissen Zeit sieden und überlaufen, deswegen immer besonders vorsichtig verfahren.
- Um Verbrühungen zu vermeiden, vor dem Verzehr den Inhalt von Babyflaschen oder Babynahrung umrühren oder durchschütteln und die Temperatur des Inhalts überprüfen.
- Im Mikrowellenherd keine rohen oder gekochten Eier in Schale erhitzen, da diese bersten können, auch nachdem das Erhitzen im Mikrowellengerät schon beendet ist.
- Verwenden Sie zum Reinigen der Gerätetür, der Dichtungen und des Garraumes nur milde (keine abrasiven) Reinigungsmittel und tragen Sie diese mit

einem Schwamm oder einem weichen Tuch auf.

- Reinigen Sie den Mikrowellenherd und entfernen Sie etwaige Speisereste regelmäßig.
- Wenn Sie das Mikrowellengerät nicht regelmäßig reinigen und instandhalten, kann es zum Verschleiß der Oberflächen kommen, was sich negativ auf die Lebensdauer des Geräts auswirkt und die Risiken beim Gebrauch erhöht.
- Wenn das Anschlußkabel beschädigt ist, darf dieses nur vom Hersteller, einem autorisierten Kundendienstfachmann oder einem anderen, entsprechend qualifizierten Fachmann ausgetauscht werden, um Gefahren zu vermeiden.
- Darauf achten, dass die Netzsteckdose leicht erreichbar ist, damit der Stecker im Notfall schnell abgezogen werden kann. Andernfalls muss, das Gerät mithilfe eines Schalters vom Stromkreis zu trennen sein. Dabei sollten die geltenden Bestimmungen der elektrischen Sicherheitsnormen berücksichtigt werden.
- Auf keinen Fall versuchen, die Garraumlampe selbst auszuwechseln, sondern nur von einem autorisierten Kundendienst auswechseln lassen!
- Wenn die Garraumlampe ausfallen sollte, wenden Sie sich bitte an Ihren Elektrohändler oder an den Hisense Werkskundendienst.
- **VORSICHT:** Zur Reinigung dürfen keinesfalls kommerzielle Ofenreiniger, Dampfreiniger, Scheuermittel, scharfe Reinigungsmittel, natriumhydroxid enthaltende Reinigungsmittel oder Scheuerschwämme verwendet werden. Dies gilt für alle Teile des Gerätes. Säubern sie die Mikrowelle in regelmäßigen Abständen.

Im nachfolgenden Text sind einige Regeln und Sicherheitsmaßnahmen aufgeführt, die ähnlich wie beim Gebrauch anderer elektrischer Geräte, eingehalten werden müssen, damit eine sichere und effiziente Funktion des Geräts gewährleistet wird:

1. Sorgen Sie dafür, dass während des Betriebs des Mikrowellenherdes der Glasunterteller, die verbindungsstück und der Rollenring auf ihren Plätzen sind.
2. Verwenden Sie den Mikrowellenherd nur zum Zubereiten von Speisen und nicht zum Trocknen von Kleiderstücken, Papier oder anderen Gegenständen und auch nicht zum Sterilisieren.
3. Schalten Sie den Mikrowellenherd niemals ein, wenn der Garraum leer ist, da dadurch das Gerät beschädigt werden kann.
4. Bewahren Sie im Garraum keine Gegenstände auf, insbesondere keine Zeitschriften, Kochbücher, u.ä.
5. Garen Sie keine Lebensmittel, die mit einer Membran umgeben sind, wie z.B.: Eigelb, Kartoffeln, Hühnerleber, u.ä., ohne vorher die Membran an mehreren Stellen mit einer Gabel durchgestochen zu haben.
6. Stecken Sie keine Gegenstände in die Öffnungen an den Außenseiten des Mikrowellengeräts hinein.
7. Entfernen Sie niemals Geräteteile, z.B. Gerätefüße, Verriegelung, Schrauben, u.ä.
8. Garen Sie keine Speisen direkt auf dem Drehteller. Bevor Sie das Gargut in den Garraum stellen, legen Sie es in einen entsprechenden Behälter.

WICHTIG: Küchenzubehör, welches im Mikrowellenherd nicht verwendet werden darf:

- Metallpfannen oder Kochtöpfe mit Metallgriffen, - Gefäße mit Metallrand,
- Geschirr aus Melamin, da es Stoffe enthält, welche die Mikrowellenenergie absorbieren. Das kann zum Springen oder Verbrennen des Geschirrs führen, außerdem wird der Erhitzungs-/Garvorgang verlangsamt.
- Verwenden Sie kein Geschirr ohne mikrowellengeeignete Beschichtung. Verwenden Sie ebenso keine geschlossenen Tassen mit Griffen.
- Bereiten Sie keine Speisen bzw. Getränke in Gefäßen mit verengter Öffnung (wie z.B. Flaschen) zu, da diese während des Erhitzungsvorgangs bersten kann.
- Verwenden Sie im Mikrowellenherd keine handelsüblichen Thermometer für Fleisch oder Süßspeisen. Sie dürfen nur Thermometer verwenden, die zum Gebrauch im Mikrowellenherd geeignet sind.

9. Verwenden Sie Zubehör für den Mikrowellenherd nur unter Beachtung der Gebrauchsanweisung des Herstellers.
10. Verwenden Sie den Mikrowellenherd niemals zum Frittieren.
11. Beachten Sie, dass im Mikrowellenherd nur die Flüssigkeit im Gefäß erhitzt wird und nicht das Gefäß selbst. Deswegen ist es möglich, dass die Flüssigkeit nach Entfernung des Deckels im Gefäß Dampf abgibt oder aus diesem Tropfen spritzen, obwohl der Deckel selbst nicht heiß ist.
12. Überprüfen Sie vor dem Verzehr immer die Temperatur der Speise, insbesondere, wenn diese für Kinder bestimmt ist. Wir empfehlen Ihnen, Speisen/Getränke niemals unmittelbar nach dem Herausnehmen aus dem Mikrowellenherd zu verzehren, sondern ein paar Minuten abzuwarten und die Speise/das Getränk umzurühren, damit sich die Hitze gleichmäßig verteilen kann.
13. Lassen Sie Speisen, die Fett und Wasser enthalten, z.B. Suppe, nach dem Abschalten des Mikrowellenherdes ungefähr noch 30 bis 60 Sekunden im Garraum stehen. Dadurch kann sich die Speise stabilisieren und es wird Siedeverzug verhindert, wenn Sie in die Flüssigkeit einen Löffel stellen oder einen Suppenwürfel hinzufügen.
14. Beachten Sie, dass sich einige Speisen, z.B. Weihnachtspudding, Marmelade oder Hackfleisch, sehr schnell erhitzen. Verwenden Sie zum Erhitzen oder Garen von Speisen mit hohem Fett- oder Zuckergehalt keine Kunststoffgefäße.
15. Zubehör, das Sie zur Zubereitung von Speisen im Mikrowellenherd benutzen, kann sich sehr stark erhitzen, da die Speise Wärme abgibt. Das gilt besonders für Gefäße, die mit einem Kunststoffdeckel zugedeckt sind und für Handgriffe aus Kunststoff. Verwenden Sie zum Herausnehmen der Gefäße wärmeisolierende Küchenhandschuhe.
16. Um die Brandgefahr im Garraum zu verringern:
 - a) die Speise nicht übermäßig lang garen.
Kontrollieren Sie sorgfältig den Erhitzungsvorgang, wenn sich im Garraum Papier-, Kunststoffbehälter oder andere leicht entzündliche bzw. brennbare Materialien befinden.
 - b) Bevor Sie Tüten in den Garraum stellen, zuerst die Drahtklammern (Blitzbinder) entfernen.
 - c) Wenn sich ein Gegenstand im Garraum entzündet, lassen Sie die Gerätetür geschlossen, trennen Sie das Gerät vom elektrischen Versorgungsnetz und schalten Sie die Hauptsicherung in ihrem Sicherungskasten ab.

BEDIENUNGSHINWEISE



Potato



Pasta



Pizza



Popcorn



Vegetable



Beverage



Meat



Reheat



Fish

Microw.

Defrost/ECO

Timer/Mute

1

2

3

4

5

6

7

8

9

STOP

Cancel

0

Clock

START

+30 Sec

DISPLAY

Zeigt die Uhr, die Garzeit und die Einstellungen an.

DEFROST

Verwenden Sie diese Taste, um Lebensmittel nach Zeit und Gewicht aufzutauen.

MIKROW.

Mit dieser Taste wählen Sie die Mikrowellen-Leistungsstufe.

CLOCK

Halten Sie diese Taste 3 Sekunden lang gedrückt, um die Uhr einzustellen.

TIMER

Mit dieser Taste stellen Sie die Timerfunktion ein.

SYMBOLE

Verwenden Sie diese Tasten, um die Zeit und das Gewicht des Garguts einzustellen und die automatischen Menüprogramme auszuwählen.

AUFTAUEN/ECO

Verwenden Sie diese Taste, um die Lebensmittel nach Zeit und Gewicht aufzutauen. Verwenden Sie diese Taste, um Strom zu sparen.

TIMER/Stummschaltung

Drücken Sie diese Taste im Standby-Modus, um den Ton ein- bzw. auszuschalten.

0–9

Verwenden Sie diese Tasten, um die Garzeit und das Gewicht einzugeben. Mit diesen Tasten kann auch die Uhrzeit eingestellt werden.

STOP/CANCEL

Verwenden Sie diese Taste, um die Einstellung zu stoppen oder abbrechen. 3 Sek. gedrückt halten für Kindersicherung.

START/+30 SEC

Verwenden Sie diese Taste, um 30 Sekunden lang intensiv zu kochen, die Garzeit um 30 Sekunden zu verlängern (mit jeder Betätigung der Taste) oder die Gareinstellungen zu bestätigen.

GEBRAUCHSANWEISUNG

UHR

Der Backofen ist mit einer Digitaluhr ausgestattet. Wenn sich der Backofen im Standby-Modus befindet, kann die Uhr eingestellt werden, indem die Taste Uhr 3 Sekunden lang gedrückt wird.

1. Drücken Sie die Zifferntasten (0-9) und geben Sie die Zeit ein. Um beispielsweise die aktuelle Uhrzeit 12:30 Uhr einzugeben, müssen Sie „1“, „2“, „3“, „0“ drücken. Die eingegebene Stunde muss zwischen 1-24 und die eingegebenen Minuten müssen zwischen 0-59 liegen.
2. Drücken Sie die Start-Taste, um die Einstellung der Uhr abzuschließen. Das ":" beginnt zu blinken. Die Uhreinstellung ist abgeschlossen.

HINWEIS:

Bitte stellen Sie sicher, dass vor dem Gebrauch des Geräts die Uhr eingestellt wurde.

TIMER/STUMMSCHALTUNG TIMER

Mit dem Timer können Sie den Kurzzeitwecker einstellen, der Sie nach einer beliebig einstellbaren Zeit akustisch warnt.

1. Drücken Sie die Timer-Taste. Das Display zeigt „:" an.
2. Drücken Sie die Zifferntasten (0-9) und geben Sie die Zeit für den Timer ein. Die maximale mit dem Timer einstellbare Garzeit beträgt 99 Minuten und 99 Sekunden.
3. Drücken Sie die Taste „START“, um die Einstellung zu bestätigen.
4. Sobald die eingestellte Zeit verstrichen ist, ertönt ein akustisches Signal der Mikrowelle und diese schaltet sich in ihren ursprünglichen Zustand um.

HINWEIS:

- Während der Kurzzeitwecker läuft, können keine anderen Funktionen verwendet werden.
- Wenn der Mikrowellenherd nicht verwendet wird, können Sie mit dieser Funktion den Mikrowellenherd als Timer verwenden.
- Bitte stellen Sie sicher, dass die aktuelle Uhrzeit eingestellt wurde.

TIMER/STUMMSCHALTUNG STUMMSCHALTUNG

Halten Sie diese Taste im Standby-Modus gedrückt, um den Ton ein-/ausschalten. Das Display zeigt die entsprechenden Informationen an. Nachdem Sie den Ton ein- oder ausgeschaltet haben, drücken Sie die "STOP" -Taste, um die Auswahl zu verlassen. Der Signalton kann je nach Einstellung ein- oder ausgeschaltet werden.

MIKROW.

Es gibt zehn Mikrowellen-Leistungsstufen, und zwar 100P, 90P, 80P, 70P, 60P, 50P, 40P, 30P, 20P und 10P. Drücken Sie mehrmals die "Mikrow."-Taste und wählen Sie die gewünschte Mikrowellenleistung. Drücken Sie die Zifferntasten 0~9, um die Garzeit einzugeben. Die maximale Zeit, die eingegeben werden kann, beträgt 99:99. Drücken Sie nach Eingabe der Garzeit die Taste "START/+30s", um den Betrieb zu starten. Ein Summton meldet den Abschluss des Vorgangs.

HINWEIS:

Unterschiedliche Leistung eignet sich für die Zubereitung verschiedener Speisen.

HIGH	100 % und 90% Leistungsabgabe	für schnelles und gründliches Garen
M.High	80 % und 70% Leistungsabgabe	für Medium-Express-Kochen
Med	60 % und 50% Leistungsabgabe	zum Dämpfen von Speisen
M.Low	40 % und 30% Leistungsabgabe	zum Auftauen von Speisen
LOW	20 % und 10% Leistungsabgabe	zum Warmhalten

AUTOMATISCHES GARPROGRAMM

Zum Auftauen von gefrorenen Lebensmitteln mit dem Auto-Menü, müssen Sie nur die Art und die Masse des Gefrierguts einstellen. Der Mikrowellenherd schlägt Ihnen die geeignete Leistungsstufe und Auftauzeit vor.

Beispiel: Wenn Sie 2 Kartoffeln garen möchten, befolgen Sie bitte die unten angeführten Schritte.

1. Drücken Sie wiederholt die Taste „Potato“, um das Gewicht der Kartoffeln auszuwählen. Weitere Informationen für das automatische Garprogramm finden Sie in der dazugehörigen Tabelle.
2. Drücken Sie die Taste „START“, um die Einstellung zu bestätigen.

Menü	Display	Gewicht
A1 Kartoffeln	250	250g
	500	500g
	750	750g
A2 Pasta	50	50g
	100	100g
	150	150g
A3 Pizza	200	200g
	400	400g
A4 Popcorn	100	100g
A5 Gemüse	200	200g
	400	400g
	600	600g
A6 Getränke	1	250ml
	2	500ml
	3	750ml
A7 Fleisch	200	200g
	400	400g
	600	600g
A8 Fisch	200	200g
	400	400g
	600	600g

HINWEIS:

- Einige Lebensmitteln müssen möglicherweise während des Garvorgangs umgedreht werden, um sicherzustellen, dass sie gründlich gegart und gleichmäßig gebräunt sind.
- Die Dichte und Dicke des Garguts kann die Garzeit beeinflussen.
- Die angeführten Garzeiten sind nur ungefähre Angaben; Sie können diese an Ihren Geschmack und Ihre Rezepte anpassen.
- Verwenden Sie nur mikrowelleneignete Behälter und Frischhaltefolien. Stechen Sie die Folie vor dem Garen an mehreren Stellen mit einer Gabel durch.

AUFWÄRMEN

Die Aufwärmfunktion ist vor allem für die Benutzer zu erleichtern, um Lebensmittel nach dem Gewicht der Lebensmittel zu erhitzen. Drücken Sie die "Aufwärmen"-Taste kontinuierlich und wählen Sie das entsprechende Gewicht der Lebensmittel. Der Gewichtsbereich, der ausgewählt werden kann, ist 200 g, 400 g, 600 g, 800 g und 1000 g. Nachdem Sie das Gewicht ausgewählt haben, drücken Sie die Taste "START/+30s", um den Vorgang zu starten. Ein Summton zeigt an, dass der Vorgang abgeschlossen ist.

(AUTO) AUFTAUEN NACH GEWICHT dEF1

Der Mikrowellenherd ermöglicht das automatische Auftauen von Fleisch, Geflügel und Meeresfrüchten. Die Auftauzeit und die Leistungsstufe werden automatisch an das voreingestellte Gewicht angepasst. Sie können Gefriergut mit einem Gewicht zwischen 100 g und 1500 g automatisch auftauen.

1. Drücken Sie die Taste „Weight Defrost“, auf dem Display erscheint „dEF1“.
2. Drücken Sie die Zifferntasten (0-9) und geben Sie das Gewicht ein. Geben Sie das Gewicht ein, indem Sie z.B. für das Gewicht 600 g die Ziffern „6“, „0“, „0“ drücken.
3. Drücken Sie die Taste „START“, um die Einstellung zu bestätigen.

HINWEIS:

Nach der Hälfte der Auftauzeit ertönen zwei Pfeiftöne. Diese sollen Sie daran erinnern, das Gefriergut zu wenden oder umzurühren. Schließen Sie nach dem Wenden bzw. Umrühren des Gefrierguts die Geratetur und drücken Sie die START-Taste, um mit dem Programm fortzufahren.

Größeres Gefriergut kann in der Mitte gefroren sein. Um ein gleichmäßiges Auftauen zu gewährleisten, drehen Sie größere Stücke von Zeit zu Zeit um und zerbrechen Sie sie beim Auftauen in kleinere Stücke.

Gießen Sie während des Auftauens Flüssigkeiten ab, da die

Säfte aus dem Gefriergut heiß werden und das Gefriergut darin kochen könnte.

AUFTAUEN NACH ZEIT (GESCHWINDIGKEIT) dEF2

Der Mikrowellenherd ermöglicht auch das schnelle Auftauen von gefrorenen Lebensmitteln.

1. Drücken Sie die Taste „Time Defrost“, auf dem Display erscheint „dEF2“.
2. Drücken Sie die Zifferntasten (0-9), um die Auftauzeit einzugeben. Geben Sie die Auftauzeit z.B. 5 Minuten und 30 Sekunden durch Drücken der Tasten „5“, „3“, „0“ ein.
3. Drücken Sie die Taste „START“, um die Einstellung zu bestätigen.

HINWEIS:

Größeres Gefriergut kann in der Mitte gefroren sein. Um ein gleichmäßiges Auftauen zu gewährleisten, drehen Sie größere Stücke von Zeit zu Zeit um und zerbrechen Sie sie beim Auftauen in kleinere Stücke.

Gießen Sie während des Auftauens Flüssigkeiten ab, da die Säfte aus dem Gefriergut heiß werden und das Gefriergut darin kochen könnte.

**AUFTAUEN/ECO
ECO**

Drücken Sie im Standby-Modus diese Taste, um in den ECO-Modus zu wechseln. Das Display schaltet sich ab. Drücken Sie im ECO-Modus eine beliebige Taste, um den ECO-Modus zu verlassen. Das Display leuchtet wieder auf.

SCHNELLSTART**Tipps**

Diese Funktion wird zum schnellen Erhitzen (Mikrowellen 100%) bzw. Garen verwendet. Wenn der Mikrowellenherd im Stand-By Zustand ist, drücken Sie die START-Taste und ein 30 Sekunden langer Betrieb wird gestartet. Durch jede weitere Betätigung der START-Taste wird die Betriebszeit um 30 Sekunden verlängert.

HINWEIS:

Durch jede weitere Betätigung der START-Taste wird die Betriebszeit bei allen Programmen um 30 Sekunden verlängert, außer beim automatischen Garen, Garen in Schritten oder automatischem Auftauen.

KINDERSICHERUNG

Sie reinigen oder damit Kinder den Backofen nicht unbeaufsichtigt benutzen können. Alle Schaltflächen sind in diesem Modus funktionsunfähig.

- 1) Sperre einstellen: Halten Sie die STOP-Taste etwa 3 Sekunden lang gedrückt.
- 2) Sperre aufheben: Halten Sie die STOP-Taste etwa 3 Sekunden lang gedrückt.

PFLEGE DES MIKROWELLENGERÄTS

1. Bevor Sie mit der Reinigung des Mikrowellenherdes beginnen, trennen Sie das Gerät vom elektrischen Versorgungsnetz.
2. Der Garraum sollte immer sauber gehalten werden. Wischen Sie getrocknete Speisereste, herausgespritzte oder verschüttete Flüssigkeiten mit einem feuchten Tuch von den Innenwänden ab. Die Verwendung von groben Reinigungs- oder abrasiven Scheuermitteln ist nicht empfehlenswert.
3. Wischen Sie die Außenflächen des Geräts mit einem feuchten Tuch ab. Um Beschädigungen im Garraums des Geräts zu vermeiden, lassen Sie kein Wasser oder andere Flüssigkeiten in das Geräteinnere oder in die Lüftungsöffnungen eindringen.
4. Lassen Sie das Bedienfeld nicht naß werden. Reinigen Sie das Bedienfeld mit einem weichen und feuchten Tuch. Verwenden Sie zum Reinigen des Bedienfeldes keine groben (abrasiven) Reinigungsmittel oder Reinigungsmittel in Spraydosen.
5. Bei Niederschlag von Wasserdampf an der Innen- bzw. Außenseite der Gerätetür, wischen Sie diese mit einem weichen Tuch ab. Diese Erscheinung ist möglich, wenn der Mikrowellenherd in einer sehr feuchten Umgebung betrieben wird und bedeutet nicht, dass das Gerät eine Betriebsstörung hat.
6. Von Zeit zu Zeit ist es notwendig, den Glasunterteller herauszunehmen und zu reinigen. Reinigen Sie den Drehteller in warmem Wasser mit etwas Geschirrspülmittel oder in der Geschirrspülmaschine.
7. Der Rollenring und der Geräteboden des Garraums müssen regelmäßig gereinigt werden, um Lärmentwicklung während des Betriebs zu vermeiden. Wischen Sie den Geräteboden im Garraum einfach mit einem milden Spülmittel, Wasser oder einem Glasreiniger ab und reiben Sie dann alles mit einem sauberen und trockenen Tuch trocken. Sie können den Rollenring in warmem Wasser mit etwas Spülmittel oder in der Geschirrspülmaschine reinigen. Nach längerer Benutzung können sich auf den Rädern des Rollenringes Dämpfe von Speisen ansammeln, was ihre Funktion jedoch nicht beeinflusst. Wenn Sie den Rollenring aus der Vertiefung im Garraum entfernt haben, passen Sie auf, dass Sie diesen später richtig einsetzen.

8. Eventuelle unangenehme Gerüche im Garraum können Sie entfernen, indem Sie ein hohes mikrowellengeeignetes Gefäß mit Zitronensaft und Zitronenschalen in das Geräteinnere hineinstellen. Stellen Sie das Gefäß für 5 Minuten in den Garraum und schalten Sie das Gerät ein. Wischen Sie nach Beendigung der eingestellten Zeit den Garraum mit einem weichen Tuch ab und reiben Sie ihn trocken.

UMWELTSCHUTZ

Werfen Sie das Gerät am Ende der Lebensdauer nicht in den normalen Hausmüll. Bringen Sie es zum Recycling zu einer offiziellen Sammelstelle. Auf diese Weise helfen Sie, die Umwelt zu schonen.

MONTAGE DER MIKROWELLENGERÄT

AUFSTELLUNG

1. Überprüfen Sie, ob das komplette Verpackungsmaterial aus dem Geräteinneren entfernt wurde.
2. Überprüfen Sie beim Entfernen der Verpackung, ob es am Mikrowellengerät zu sichtbaren Beschädigungen gekommen ist, wie z.B.:
 - schief hängende Gerätetür,
 - beschädigte Gerätetür,
 - Dellen oder Löcher im Glas (Sichtfenster), an der Gerätetür oder am Display,
 - Dellen im Geräteinneren.Wenn Sie irgendeinen der oben genannten Schäden bemerken, dürfen Sie den Mikrowellenherd nicht benutzen.
3. Der Mikrowellenherd wiegt 11 kg; stellen Sie ihn auf eine waagrechte Unterlage, die genügend stabil ist, um sein Gewicht auszuhalten.
4. Den Mikrowellenherd in ausreichender Entfernung von Wärmequellen und Wasserdampf aufstellen.
5. Keine Gegenstände auf dem Mikrowellenherd aufbewahren.
6. Halten Sie den Ofen mindestens 20 cm von beiden Seitenwänden und 30 cm von der oberen Wand entfernt, um die richtige Belüftung zu gewährleisten.
7. Die Antriebswelle des Drehgestells NICHT entfernen.
8. Kinder dürfen den Mikrowellenherd nur unter Aufsicht Erwachsener benutzen.
9. Die Steckdose, an welche der Mikrowellenherd angeschlossen ist, muß leicht zugänglich sein. Das Gerät an einer korrekt installierten geerdeten Steckdose mit einem einphasigen Wechselstromanschluss (220-240 V/50 Hz) verbinden. **WARNUNG! DIESES GERÄT MUSS GEERDET SEIN!** Bei Nichteinhaltung lehnt der Hersteller jegliche Haftung ab.
10. Der Mikrowellenherd benötigt 1,0 kVA Eingangsleistung. Wir empfehlen Ihnen, sich über die Aufstellung des Mikrowellenherdes mit einem Kundendienst-Fachmann oder einem entsprechendem anderen Fachmann zu beraten.

ACHTUNG: Der Mikrowellenherd verfügt über eine eigene Schutzeinrichtung und zwar über eine Sicherung 250V, 8A.

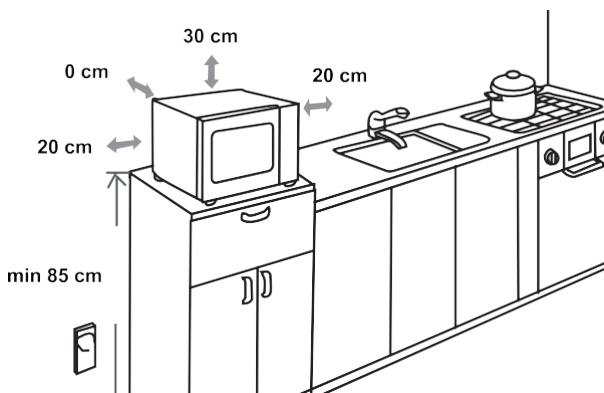
TECHNISCHE DATEN

Stromaufnahme	220-240V~50Hz, 1150W
Ausgangsleistung	700W
Betriebsfrequenz.....	2450MHz
Außenmaße.....	451 x 283 x 364 mm
Volumen	20 l
Masse ohne Verpackungsmaterial.....	C.a. 11 kg
Schallpegel - niveau.....	Lc < 61 dB (A)



Dieses Gerät ist entsprechend der europäischen Richtlinie 2012/19/EU über Elektro- und Elektronikaltgeräte (waste electrical and electronic equipment - WEEE) gekennzeichnet. Die Richtlinie gibt den Rahmen für eine EU-weit gültige Rücknahme und Verwertung der Altgeräte vor.

EINBAU DES MIKROWELLENGERÄT



FUNKSTÖRUNGEN (INTERFERENZEN)

Der Mikrowellenherd kann Empfangsstörungen bei Rundfunk-, Fernseh- und anderen Geräten verursachen. Wenn es zu Störungen kommen sollte (Interferenzen), können Sie diese mit folgenden Maßnahmen beseitigen oder vermindern:

- Reinigen Sie die Gerätetür und die Dichtungen am Mikrowellenherd.
- Stellen Sie Ihr Rundfunk- oder Fernsehgerät so weit wie möglich vom Mikrowellenherd auf.
- Verwenden Sie für Ihr Rundfunk- bzw. Fernsehgerät eine entsprechend montierte Antenne, die den bestmöglichen Empfang gewährleistet.

WIR BEHALTEN UNS DAS RECHT ZU ÄNDERUNGEN VOR, DIE AUF DIE FUNKTIONALITÄT DES GERÄTS KEINEN EINFLUSS NEHMEN.

BEVOR SIE DEN KUNDENDIENST ANRUFEN

1. Wenn der Mikrowellenherd überhaupt nicht funktioniert, wenn auf dem Display kein Text sichtbar ist oder wenn das Display erlischt:
 - a) Überprüfen Sie, ob der Mikrowellenherd fachgerecht an das elektrische Versorgungsnetz angeschlossen ist. Wenn nicht, ziehen Sie den Stecker aus der Steckdose, warten Sie 10 Sekunden und stecken Sie den Stecker wieder in die Steckdose.
 - b) Überprüfen Sie, ob die Sicherung durchgebrannt bzw. ob der Stromkreis an der Hauptsicherung unterbrochen ist. Wenn an den Sicherungen keine Störungen sichtbar sind, testen Sie die Steckdose mit einem anderen elektrischen Gerät.
2. Wenn der Mikrowellenherd nicht heizt, d.h. wenn er keine Mikrowellenenergie abgibt:
 - a) Überprüfen Sie, ob die Zeitschaltuhr richtig eingestellt ist.
 - b) Überprüfen Sie, ob die Gerätetür fest geschlossen und die Sicherheitsverriegelung eingeschlappt ist. Wenn das nicht der Fall ist, wird die Mikrowellenenergie nicht freigesetzt.

GARANTIE UND KUNDENDIENST

Benötigen Sie weitere Informationen oder treten Probleme auf, setzen Sie sich mit einem Hisense Service-Center in Ihrem Land in Verbindung (Telefonnummer siehe internationale Garantieschrift). Sollte es in Ihrem Land kein Service-Center geben, wenden Sie sich bitte an Ihren Hisense Händler.

Nur zum eigenen Gebrauch!

WIR WÜNSCHEN IHNEN VIEL FREUDE MIT IHREM NEUEN MIKROWELLENHERD!

Hisense

HEA KLIENT

Täname teid siiralt ostu eest. Me usume, et leiate peagi piisavalt tõendeid selle kohta, et meie tooted on tõesti usaldusväärsed. Seadme kasutamise hõlbustamiseks lisame käesoleva põhjaliku kasutusjuhendi.

Juhised peaksid aitama teil uue seadmega tutvuda. Enne seadme esmakordset kasutamist lugege need hoolikalt läbi.

Igal juhul veenduge, et seade tarniti teile ilma kahjustusteta. Kui peaksite tuvastama transpordikahjustusi, pöörduge oma müügiesindaja või piirkondliku lao poole, kust toode tarniti. Telefoninumbri leiate kviitungilt või üleandmisaktilt.

Soovime teile palju rõõmu oma uue majapidamiseseadme üle.

Majapidamises kasutatav seade toiduainete ja jookide soojendamiseks elektromagnetilise energia abil, kasutamiseks ainult siseruumides.



KASUTUSJUHEND

Käesolev juhend on mõeldud kasutajale. See kirjeldab ahju ja selle kasutamist. Juhend kehtib ka seadme erinevatele tüüpidele, seega võite leida mõningaid funktsioonide kirjeldusi, mis ei pruugi kehtida teie seadmele.

ENERGIA TARBIMINE

Tooteteave energiatarbimise ja kohaldatava vähese energiatarbega režiimi jõudmiseks kuluva maksimaalse aja kohta.

Väljas režiim	0.8W
---------------	------

Maksimaalne aeg, mis kulub mikrolaineahju automaatseks jõudmiseks madala võimsusega režiimi või olekusse.	15 minutit
---	------------

Jätame endale õiguse teha kasutusjuhendis mistahes muudatusi.



Ärge kunagi puudutage kütte- või toiduvalmistamisseadmete pindu. Need muutuvad töötamise ajal kuumaks. Hoidke lapsed turvalises kauguses. Põletuse oht!



Mikrolaineenergia ja kõrgepinge!
Ärge eemaldage katet.

HOIATUS! Seade ja selle ligipääsetavad osad kuumenevad kasutamise ajal. Vältige kütteelementide puudutamist. Alla 8-aastased lapsed tuleb hoida seadmest eemal, kui nad ei ole pideva järelevalve all. Lapsi tuleb jälgida, et nad ei mängiks seadmega.

Seadet võivad kasutada lapsed alates 8. eluaastast ning pärsitud füüsiliste, sensorsete või vaimsete võimete või kogemuste või teadmisteta isikud, kui neid on seadme ohutu kasutamise osas instrueeritud ja nende tegevust jälgitakse ning kui nad mõistavad kasutamisega seotud ohtusid. Jälgige, et lapsed seadmega ei mängiks. Lastel ei ole lubatud teha puhastus- ja hooldustöid, välja arvatud juhul, kui nad on vanemad kui 8 aastat ja nad on järelevalve all.

Hoidke seadet ja selle juhet alla 8-aastaste laste eest kättesaamatus kohas.

- **HOIATUS:** Kui seadet kasutatakse kombineeritud režiimis, peavad lapsed tekkivate temperatuuride tõttu kasutama ahju ainult täiskasvanute järelevalve all (ainult grillfunktsiooniga mudelid).

- **HOIATUS:** Kui uks või ukse tihendid on kahjustatud, ei tohi ahju kasutada enne, kui selle on parandanud pädev isik.
- **HOIATUS:** Kõigil teistel peale pädevate isikute on ohtlik teha mistahes hooldus- või remonditöid, mis hõlmavad mikrolainetega kokkupuute eest kaitsva katte eemaldamist.
- **HOIATUS:** Vedelikke ja muid toiduaineid ei tohi kuumutada suletud anumates, kuna need võivad plahvatada.
- Lapsi tuleb jälgida, et nad ei mängiks seadmega.
- Ärge eemaldage ahju jalgu; ärge blokeerige ahju ventilatsiooniavasid.
- Kasutage ainult mikrolaineahjus kasutamiseks sobivaid toidunõusid.
- Toidu kuumutamisel plastik- või pabermahutites hoidke ahjul süttimisvõimaluse tõttu silma peal.
- Kui märkate suitsu, lülitage seade välja või ühendage see vooluvõrgust lahti ning hoidke ust kinni, et leek summutada.
- Jookide kuumutamine mikrolainetega võib viia hilisema ootamatu keemiseni, mistõttu tuleb anumaga ettevaatlikult ümber käia.
- Põletuste vältimiseks tuleb lutipudelite ja imikutoidu purkide sisu segada või loksutada ning kontrollida temperatuuri enne tarvitamist.

- Mikrolaineahjus ei tohi kuumutada koorega mune ega kõvaks keedetud mune, sest need võivad plahvatada, isegi pärast kuumutamist mikrolaineahjus.
- Ukse, uksetihendi või ahjuõõnsuse pindade puhastamisel kasutage ainult kergeid mitteabrasiivseid puhastusvahendeid või pesuaineid, mis on kantud käsnaale või pehmele lapile.
- Ahju tuleks regulaarselt puhastada ning eemaldada toidujäägid.
- Ahju mitte hoidmine puhtana võib põhjustada pinnakahjustusi, mis võib mõjutada seadme eluiga ja põhjustada ohtlikke olukordi.
- Kui toitejuhe on kahjustatud, peab selle välja vahetama tootja, teenindus või muu kvalifitseeritud isik, et vältida ohte, näiteks elektrilöögiohtu.
- Ärge laske juhtmel rippuda üle laua või tööpinna serva.
- Ärge kunagi ühendage seda seadet välise taimerlüliti või kaugjuhtimispuuldiga, et vältida ohtlikku olukorda.
- Ärge kunagi vahetage ahju sees olevat pirni. Seda tohib teha ainult Hisense teenindus.
- Ärge puhastage seadet aurupuhastite, kõrgsurvepuhastite, teravate esemete, abrasiivsete puhastusvahendite ning abrasiivsete käsnade ja plekieemaldajatega.

Allpool on nagu kõigi seadmete puhul loetletud teatavad reeglid, mida järgida ning kaitsemeetmed, et tagada selle ahju tippjõudlus:

1. Ahju kasutamisel peavad klaasalus, rulliklabad, haake- ja rullikurada alati olema oma õigel kohal.
2. Ärge kasutage ahju muul otstarbel kui toidu valmistamine, näiteks riiete, paberi või muude toiduks mittekasutatavate esemete kuivatamiseks ega steriliseerimiseks.
3. Ärge kasutage ahju tühjana. See võib ahju kahjustada.
4. Ärge kasutage ahjuõõnsust mistahes tüüpi hoiuruumina, näiteks paberite, kokaraamatute jms jaoks.
5. Ärge valmistage membraaniga ümbritsetud toitu, nt munakollased, kartulid, kanamaks jms, membraani eelnevalt mitmes kohas kahvliga läbi torkamata.
6. Ärge sisestage välise korpuse avadesse ühtegi eset.
7. Ärge kunagi eemaldage ahjuosi, nt jalgu, ühendusi, kruvisid jne.
8. Ärge küpsetage toitu otse klaasalusel. Asetage toit enne ahju asetamist õigesse toiduvalmistamisnõusse/selle peale.
OLULINE - KÖÖGINÕUD, MIDA MIKROLAINEAHJUS EI TOHI KASUTADA
 - Ärge kasutage metallpanne ega metallkäepidemetega nõusid.
 - Ärge kasutage midagi, millel on metallist viimistlus.
 - Ärge kasutage kilekottidel paberiga kaetud traadist sulgureid.
 - Ärge kasutage melamiinnõusid, kuna need sisaldavad materjali, mis neelab mikrolaineenergiat. See võib põhjustada nõude pragunemist või söestumist ja aeglustab toiduvalmistamisprotsessi.
 - Ärge kasutage Centura lauanõusid. Glasuur ei sobi kasutamiseks mikrolaineahjus. Corelle Livingware'i suletud käepidemega tassi ei ole lubatud kasutada.
 - Ärge valmistage toitu piiratud avaga mahutis, näiteks korgiga pudelis või suletud õlipudelis, kuna sellised anumad võivad mikrolaineahjus kuumutamisel plahvatada.
 - Ärge kasutage tavalisi liha- või kommitermomeetreid.
- Mikrolaineahjus toiduvalmistamiseks on saadaval spetsiaalsed termomeetrid. Neid on lubatud kasutada.
9. Mikrolaineahjutarvikuid tuleb kasutada ainult vastavalt tootja juhistele.
10. Ärge püüdke selles ahjus toitu praadida.
11. Pidage meeles, et mikrolaineahi soojendab ainult mahutis olevat vedelikku, mitte mahutit ennast.

- Seega, ehkki mahuti kaas ei ole ahjust eemaldamisel kuum, pidage meeles, et sees olev toit/vedelik vabastab kaane eemaldamisel sama koguse auru ja/või pritsib nagu tavalisel toiduvalmistamisel.
12. Kontrollige alati keedetud toidu temperatuur ise üle, eriti kui soojendate või valmistate toitu/vedelikku imikutele. Soovitav on mitte kunagi tarbida toitu/vedelikku otse ahjust, vaid lasta sellel paar minutit seista ja segada toitu/vedelikku, et soojus jaotuks ühtlaselt.
 13. Rasva ja vee segu sisaldav toit, nt puljong, peaks pärast väljalülitamist seisma ahjus 30-60 sekundit. Selle eesmärk on võimaldada segu settimist ja vältida mullitamist, kui toidu/vedeliku sisse pannakse lusikas või lisatakse puljongikuubik.
 14. Toidu/vedeliku valmistamisel/keetmisel pidage meeles, et on olemas teatud toidud, nt jõulupudingid, moos ja hakkliha, mis soojenevad väga kiiresti. Kõrge rasva- või suhkruisaldusega toiduainete kuumutamisel või valmistamisel ärge kasutage plastikust mahuteid.
 15. Toiduvalmistamisnõud võivad kuumutatud toidust üle kantud soojuse tõttu kuumaks muutuda. See kehtib eriti siis, kui tarviku ülaosa ja käepidemeid on katnud kile. Tarvikute käsitsemiseks võib vaja minna pajalappe.
 16. Ahjuõhne tuleohtu vähendamiseks:
 - a) Ärge küpsetage toitu üle. Jälgige hoolikalt mikrolaineahju, kui asetate sinna toiduvalmistamise hõlbustamiseks paberit, plastikut või muid süttivaid materjale.
 - b) Eemaldage kottidelt traatkinnitused enne kottide ahju panemist.
 - c) Kui ahju sees olevad materjalid peaksid süttima, hoidke ahju ust suletuna, lülitage ahi pistikust välja või lülitage toide kaitsme või kaitselüliti paneeli juurest välja.

JUHTPANEEL



Potato



Pasta



Pizza



Popcorn



Vegetable



Beverage



Meat



Reheat



Fish

Microw.

Defrost/ECO

Timer/Mute

1

2

3

4

5

6

7

8

9

STOP

Cancel

0

Clock

START

+30 Sec

EKRAAN

Kuvab kella, toiduvalmistamisaega ja seadistust.

SULATAMINE

Kasutage seda klahvi toidu sulatamiseks aja ja kaalu järgi

MICROLAINEAHI

Kasutage seda klahvi mikrolaineahju võimsustaseme valimiseks.

KELL

Kella seadistamiseks hoidke seda klahvi all 3 sekundit.

TAIMER

Kasutage seda klahvi taimeri funktsiooni seadistamiseks.

IKOONID

Kasutage neid klahve aja ja toidu kaalu määramiseks ning automaatsete menüüprogrammide valimiseks.

DEFROST/ECO (SULATAMINE/ÖKO)

Kasutage seda nuppu toidu aja- ja kaalupõhiseks sulatamiseks. Kasutage seda klahvi energia säästmiseks.

TIMER/Mute (TAIMER/Vaigistamine)

Vajutage seda nuppu ooterežiimis, et heli sisse või välja lülitada.

0–9

Kasutage neid klahve toiduvalmistamisaja ja kaalu sisestamiseks.

PEATA/TÜHISTA

Kasutage seda klahvi seadistuse peatamiseks või tühistamiseks. Lapseluku jaoks hoidke 3 sekundit all klahvi

START/+30 SEK

Kasutage seda klahvi kiire toiduvalmistamise käivitamiseks 30 sekundiks, toiduvalmistamisaja suurendamiseks 30 sekundi võrra (iga vajutusega) või toiduvalmistamiseseadistuste kinnitamiseks.

KASUTUSJUHEND

KELL

Ahi on varustatud digitaalse kellaga. Kui ahi on ooterežiimis, saab kella seadistada, vajutades nuppu Kell 3 sekundit.

1. Vajutage numbriklahve (0-9) ja sisestage kella-aeg. Näiteks praeguse kellaaja 12:30 sisestamiseks peate vajutama "1", "2", "3", "0". Sisestatud tunnid peavad jääma vahemikku 1–24 ja minutid 0–59.
2. Kella seadistamise lõpetamiseks vajutage nuppu Start. „:“ hakkab vilkuma. Kella seadistamine on lõpetatud.

MÄRKUS:

Enne kasutamist veenduge, et olete kella seadistanud.

TIMER/MUTE (TAIMER/VAIGISTAMINE) TAIMER

Kasutage loendurtaimerit alarmi seadistamiseks.

1. Vajutage taimeriklahvi. Ekraanil kuvatakse „:“.
2. Vajutage numbriklahve (0-9) ja sisestage taimeri aeg. Pikim seadistatavaeg on 99 minutit ja 99 sekundit.
3. Seadistuse kinnitamiseks vajutage klahvi START.
4. Kui kulunud aeg on täis, annab mikrolaineahi helisignaali ja naaseb algsesse olekusse.

MÄRKUS:

- Kõõgitaimeri töötamise ajal ei saa muid funktsioone kasutada.
- Kui mikrolaineahju ei kasutata, võimaldab see funktsioon kasutada mikrolaineahju taimerina.
- Palun veenduge, et kell on seadistatud.

TIMER/MUTE (TAIMER/VAIGISTAMINE) MUTE (VAIGISTAMINE)

Vajutage seda nuppu ja hoidke seda ooterežiimis all, et valida heli ning kuvada vastav sisse- või väljalülitamise teave. Pärast heli valimist selle sisse või välja lülitamiseks, vajutage valikust väljumiseks nuppu STOP (STOPP). Helisignaali saab vastavate seadete abil sisse või välja lülitada.

MIKROW. (MIKROLAINE)

Mikrolaineahjul on kümme võimsuse taset, vastavalt 100P, 90P, 80P, 70P, 60P, 50P, 40P, 30P, 20P ja 10P. Vajutage nuppu Mikrow. ja valige soovitud mikrolainevõimsus. Küpsetusaja sisestamiseks vajutage numbrinuppe 0–9, maksimaalne sisestatav aeg on 99:99. Pärast küpsetusaja sisestamist vajutage töö alustamiseks nuppu START/+30s. Sumin teavitab toiminguga lõppemisest.

MÄRKUS:

Erinevate toitude valmistamiseks sobib erinev võimsus.

KÕRGE	100% ja 90% väljundvõimsus	kiireks ja põhjalikuks toiduvalmistamiseks
Keskmiselt kõrge	80% ja 70% väljundvõimsus	keskmiselt kiireks toiduvalmistamiseks
Keskmine	60% ja 50% väljundvõimsus	toidu aurutamiseks
Keskmiselt madal	40% ja 30% väljundvõimsus	toidu sulatamiseks
MADAL	20% ja 10% väljundvõimsus	soojas hoidmiseks

**AUTOMAATNE
TOIDUVALMISTAMINE**

Automaatmenüüs olevate toiduainete puhul tuleb määrata ainult toidu tüüp ja kaal/kogus. Ahi aitab teil seadistada võimsust ja aega.

Näiteks: Kui soovite küpsetada 2 kartulit, järgige alltoodud samme:

1. Toidu kaaluvaliku valimiseks vajutage korduvalt klahvi Kartul. Lisateabe saamiseks vaadake automaatse toiduvalmistamise menüütabelit.
2. Kinnitamiseks ja toiduvalmistamis alustamiseks vajutage nuppu START.

Menü	Kuva	Kaal
A1 Kartul	250	250g
	500	500g
	750	750g
A2 Pasta	50	50g
	100	100g
	150	150g
A3 Pitsa	200	200g
	400	400g
A4 Popkorn	100	100g
A5 Kõõgivilid (külmutatud)	200	200g
	400	400g
	600	600g
A6 Jook	1	250ml
	2	500ml
	3	750ml

A7 Liha	200	200g
	400	400g
	600	600g
A8 Kala	200	200g
	400	400g
	600	600g

MÄRKUS:

- Mõne toidu puhul peate seda valmistamise ajal võib-olla ümber pöörama, et see oleks korralikult läbi küpsenud ja ühtlaselt pruunistunud.
- Toidu tihedus ja paksus võivad mõjutada selle küpsemisaega.
- Kõik toiduvalmistamisajad on ainult ligikaudsed; kohandage neid vastavalt eelistatud maitsele ja retseptidele.
- Kasutage mikrolaineahjus ainult mikrolaineahju jaoks sobivaid anumaid ja toidukilet. Enne toiduvalmistamist torgake kile kahvliga läbi.

SULATAMINE
KAALU JÄRGI
dEF1

Ahi võimaldab liha, kodulindude ja mereandide sulatamist. Sulatusaega ja töövõimsust reguleeritakse automaatselt vastavalt eelseadistatud kaalule.

Sulatatava toidu kaal võib olla vahemikus 100 kuni 1500 g.

1. Vajutage klahvi Sulatamine kaalu järgi (Weight Defrost) ja ekraanil kuvatakse „dEF1“.
2. Kaalu sisestamiseks vajutage numbriklahve (0-9). Näiteks sisestage kaal, vajutades 600 g jaoks „6“, „0“, „0“.
3. Kinnitamiseks ja toiduvalmistamise alustamiseks vajutage klahvi START.

MÄRKUS:

Sulatamise ajal piiksub ahi automaatselt kaks korda, kui protsess on poole peal. See tuleb teile meelde, et peaksite toidu ümber pöörama. Pärast seda sulgege ahju uks ja vajutage klahvi START.

Suured tükid võivad olla keskelt külmunud. Seetõttu keerake ühtlase sulatamise tagamiseks neid aeg-ajalt ümber ja murdke sulatamise ajal väiksemateks tükkideks.

Sulatamise käigus kallake vedelikud ära, kuna toidumahlad võivad minna kuumaks ja toidu ära keeta.

SULATAMINE AJA JÄRGI dEF2

Ahi võimaldab ka kiirsulatamist.

1. Vajutage Sulatamine aja järgi (Time Defrost) ja ekraanil kuvatakse „dEF2“.
2. Sulatusaja sisestamiseks vajutage numbriklahve (0-9). Näiteks sisestage sulatusaeg 5 minutit ja 30 sekundit, vajutades „5“, „3“, „0“.
3. Kinnitamiseks ja toiduvalmistamise alustamiseks vajutage klahvi START.

MÄRKUS:

Suured tükid võivad olla keskelt külmunud. Seetõttu keerake ühtlase sulatamise tagamiseks neid aeg-ajalt ümber ja murdke sulatamise ajal väiksemateks tükkideks. Sulatamise käigus kallake vedelikud ära, kuna toidumahlad võivad minna kuumaks ja toidu ära keeta

DEFROST/ECO (SULATAMINE/ÖKO) ECO (ÖKO)

Ooterežiimis vajutage nuppu ja hoidke seda all ÖKO-režiimi sisenemiseks; ekraan lülitub välja. ÖKO-režiimis vajutage sellest režiimist väljumiseks ükskõik millist nuppu ja ekraan lööb helendama.

KIIRKÄIVITUS

Nõuandeid ahju kasutamiseks

Kasutage seda funktsiooni toidu kiireks soojendamiseks (100% mikrolainevõimsus) või valmistamiseks. Vajutage ooterežiimis klahvi START ja ahi töötab 30 sekundit. Iga järjestikuse vajutusega klahvile START pikeneb tööaeg 30 sekundi võrra.

MÄRKUS:

Vajutades uuesti klahvi START pikeneb toiduvalmistamisaeg 30 sekundi võrra kõigis programmides, välja arvatud automaatrežiimis ja automaatses sulatusrežiimis.

LAPSELUKK

Kasutage seda funktsiooni juhtpaneeli lukustamiseks puhastamise ajal või selleks, et lapsed ei saaks ahju järelevalveta kasutada. Selles režiimis lukustatakse kõik nupud.

- 1) Luku seadistamine: Hoidke klahvi STOPP all umbes 3 sekundit.
- 2) Lukustamise tühistamine: Hoidke klahvi STOPP all umbes 3 sekundit.

TEIE MIKROLAINEAHJU HOOLDAMINE

1. Enne puhastamist lülitage ahi välja ja eemaldage toitepistik seinakontaktist.
2. Hoidke ahju sisemust puhtana. Kui toidupritsmed või maha läinud vedelikud kleepuvad ahju seintele, pühkige need niiske lapiga maha. Tugevatoimeliste pesuvahendite või abrasiivide kasutamine ei ole soovitatav.
3. Ahju välispinda tuleb puhastada niiske lapiga. Ahjust olevate töötavate osade kahjustamise vältimiseks ei tohiks lubada vee imbumist ventilatsioonivädesse.
4. Ärge laske juhtpaneelil saada märjaks. Puhastage pehme niiske lapiga. Ärge kasutage juhtpaneelil puhastusvahendeid, abrasiivseid ega pihustatavaid puhastusvahendeid.
5. Kui aur koguneb ahjuukse sisse või ümber selle, pühkige seda pehme lapiga. Seda võib ette tulla, kui mikrolaineahju kasutatakse kõrge õhuniiskuse tingimustes ning ei viita mingil juhul seadme talitlushäirele.
6. Klaasalust on vaja mõnikord puhastada. Peske alust soojas seebivees või nõudepesumasinas.
7. Liigse müra vältimiseks tuleb regulaarselt puhastada rullikurõngast ja ahjuõõne põhja. Lihtsalt pühkige ahjuõõne põhja kerge pesuvahendi, vee või aknapuhastusvahendiga ning kuivatage. Rullikurõngast võib pesta kerges seebivees või nõudepesumasinas. Korduva kasutamise ajal kogunevad toiduvalmistamisaurud, kuid need ei mõjuta mingil moel põhja ega rullikurõnga rattaid. Rullikurõnga eemaldamisel õõnsuse põhjalt puhastamise eesmärgil pange see kindlasti tagasi õigesse asendisse.
8. Lõhnade eemaldamiseks ahjust segage sügavas mikrolaineahju jaoks sobilikus kausis kokku tassitäis vett ning ühe sidruni mahl ja koor. Pange segu ahju ning mikrolaineahi 5 minutiks tööle, seejärel pühkige hoolikalt ja kuivatage pehme lapiga.

KESKKOND

Ärge visake seadet selle eluea lõpus ära koos tavaliste olmejäätmetega, vaid viige see taaskasutamiseks ametlikku kogumispunkti. Sellisel toimides aitate kaitsta keskkonda.

PAIGALDAMINE

1. Veenduge, et kõik pakkematerjalid oleksid ukse seest eemaldatud.
2. Kontrollige ahju pärast lahti pakkimist mistahes visuaalsete kahjustuste suhtes, nt:
 - mittejoonduv uks
 - kahjustatud uks,
 - mõlgid või augud ukseaknas ja ekraanil,
 - mõlgid õõnsusesKui mõni ülaltoodust on nähtav, ÄRGE kasutage ahju.
3. See mikrolaineahi kaalub 11 kg ja tuleb asetada horisontaalsele pinnale, mis on piisavalt tugev, et kaalule vastu pidada.
4. Ahi tuleb paigutada eemale kõrgest temperatuurist ja aurust.
5. ÄRGE asetage midagi ahju peale.
6. Hoidke ahju vähemalt 20 cm kaugusel mõlemast külgeinast ja 30 cm kaugusel tagaseinast et tagada õige ventilatsioon.
7. ÄRGE eemaldage pöördaluse ajamivõlli.
8. Nagu iga seadme puhul, on ka antud juhul vaja lapsi seadme kasutamisel hoolikalt jälgida.
9. Veenduge, et vahelduvvoolu väljund oleks kergesti ligipääsetav, et pistiku saaks hädaolukorras kiiresti eemaldada. Muul juhul peaks olema võimalik seade vooluahelast lüüdi abil lahti ühendada. Antud juhul tuleks järgida elektriohutusstandardite kehtivaid sätteid.

Toode peab olema õigesti ühendatud maandatud ühefaasilise vahelduvvooluga pistikupesaga (220-240 V/50 Hz).

HOIATUS! SEE KODUMASIN PEAB OLEMA MAANDATUD!
10. See ahi vajab sisendiks 1,1 kVA. Ahju paigaldamisel soovitatakse konsulteerida hooldusinseneriga.

ETTEVAATUST: See ahi on sisemiselt kaitstud 250 V 8-ampri kaitsmega.

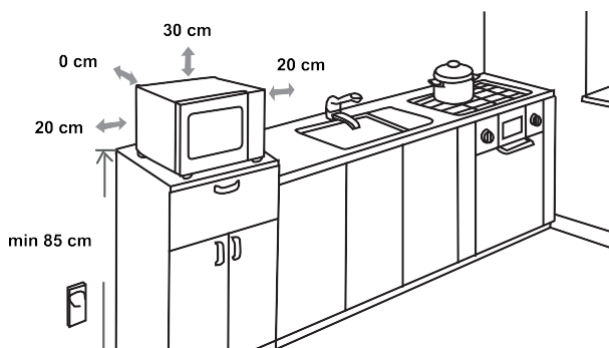
TEHNILISED ANDMED

Energiatarve	220-240 V ~50 Hz, 1150 W
Väljundvõimsus	700 W
Töösagedus	2450 MHz
Välismõõtmed	451x 283 x 364 mm
Ahju maht.....	20 liitrit
Täitmata kaal.....	U 11 kg
Müratase	Lc < 61 dB (A)



See seade on märgistatud vastavalt Euroopa Liidu direktiivile 2012/19/EL elektri- ja elektroonikaseadmete jäätmete kohta (WEEE). See juhtdokument on üleeuroopalise elektri- ja elektroonikaseadmete jäätmete tagastamise ja ringlussevõtu kehtivuse raamistik.

PAIGALDUS MÕÕTMED



RAADIOHÄIRED

Mikrolaineahi võib häirida teie raadiot, telerit või muud sarnast seadet. Häirete ilmnmisel saab need kõrvaldada või neid vähendada järgmiste protseduuride abil.

- Puhastage ahju uks ja tihenduspeid.
- Asetage raadio, teler jms mikrolaineahjust võimalikult kaugemale.
- Tugeva signaali vastuvõtmiseks kasutage oma raadio, teleri jms jaoks korralikult paigaldatud antenni.

JÄTAME ENDALE ÕIGUSE TEHA MUUDATUSI, MIS EI MÕJUTA SEADME FUNKTSIOONE.

ENNE KUI HELISTATE HOOLDUSKESKUSESSE

1. Kui ahi ei toimi üldse, ei kuvata ekraanil olevat teavet või kuva kaob:
 - a) Kontrollige, kas ahi on kindlalt ühendatud. Kui see nii ei ole, eemaldage pistik pistikupesast, oodake 10 sekundit ja ühendage turvaliselt uuesti.
 - b) Kontrollige, et kaitse ei oleks läbi läinud ega peakaitselüliti rakendunud. Kui need näivad töötavat korralikult, katsetage pistikupesa mõne teise seadmega.
2. Kui mikrolaineahi ei tööta:
 - a) Kontrollige, kas taimer on seadistatud.
 - b) Kontrollige, kas uks on turvalukkude sisseseadmiseks kindlalt suletud. Vastasel juhul mikrolaineenergia ahjus ei voola.

Kui ükski ülaltoodust olukorda ei paranda, võtke ühendust lähima volitatud teenindusesindajaga.

Majapidamises kasutatav seade toiduainete ja jookide soojendamiseks elektromagnetilise energia abil, kasutamiseks ainult siseruumides.

GARANTII JA TEENINDUS

Kui vajate teavet või kui teil on probleem, siis võtke ühendust oma riigi Hisense klienditeenindusega (telefoninumbri leiate ülemaailmsest garantiibrošüürist). Kui teie riigis ei ole klienditeenindust, minge kohaliku Hisense edasimüüja juurde või võtke ühendust Hisense kodumasinate hooldusosakonnaga.

Ainult isiklikuks kasutamiseks!

SOOVIB TEILE PALJU RÕÖMU SELLE SEADME KASUTAMISEL

Hisense

GERB. KLIENTE,

Nuoširdžiai dėkojame už pirkinį. Tikime, kad netrukus rasite daugybę įrodymų, kad tikrai galite pasikliauti mūsų gaminiais. Kad prietaisu būtų lengviau naudotis, pridedame šią išsamią naudojimo instrukciją.

Instrukcijos padės jums susipažinti su naujuoju prietaisu. Prieš naudodami prietaisą pirmą kartą, atidžiai jas perskaitykite.

Bet kokių atveju įsitikinkite, kad prietaisas jums buvo pristatytas nepažeistas. Jei pastebėjote ir transportavimo metu įvyko pažeidimų, kreipkitės į savo prekybos atstovą arba regioninį sandėlį, iš kurio buvo pristatytas gaminys. Telefono numerį rasite kvite arba pristatymo ataskaitoje.

Linkime, kad naujuoju buitiniu prietaisu džiaugtumėtės kuo ilgiau.



Buityje naudojamas prietaisas maisto ir gėrimų šildymui, naudojant elektromagnetinę energiją, skirtas naudoti tik patalpose.

NAUDOJIMO
INSTRUKCIJOS

Šios naudojimo instrukcijos skirtos vartotojui. Joje aprašoma viryklė ir jos naudojimas. Ji taip pat taikoma įvairiems prietaisams, todėl galite rasti kai kurių funkcijų, kurių gali nebūti jūsų prietaise, aprašymus.

ENERGIJOS SUVARTOJIMAS

Produkto informacija apie energijos suvartojimą ir ilgiausią laiką, per kurį pasiekiamas taikomas mažos galios režimas.

Išjungimo režimas	0.8W
Maksimalus laikas, kurio reikia, kad mikrobangų krosnelė automatiškai pereitų į taikomą mažos galios režimą arba būseną.	15 min.

Mes pasilikame teisę daryti bet kokius naudojimo instrukcijos ir klaidų aprašymų pakeitimus.



Niekada nelieskite šildymo ir virimo prietaisų paviršių. Veikimo metu jie gali būti labai karšti. Laikykite vaikus atokiai. Nudegimų pavojus!



Mikrobangų energija ir aukšta įtampa! Nenuimkite dangčio.

ĮSPĖJIMAS! Veikdamas prietaisas ir gretimos dalys labai įkaista. Stenkitės neliesti kaitinimo elementų. Jaunesni kaip 8 metų amžiaus vaikai turi būti toliau nuo prietaiso, nebent jie yra nuolat prižiūrimi. Vaikus reikia prižiūrėti, kad jie nežaistų su buitiniu prietaisu.

Ne jaunesni kaip 8 metų vaikai, ribotų fizinių, jutimo arba protinių gebėjimų asmenys ir turintieji per mažai patirties ir žinių gali naudoti prietaisą tik prižiūrimi kito asmens arba išmokyti saugaus darbo su prietaisu ir suprantantys jo keliamus pavojus. Vaikams negalima žaisti su prietaisu. Jaunesniems kaip 8 metų vaikams be priežiūros draudžiama valyti ir imtis priežiūros darbų.

Laikykite laisvą rankų įrangą ir jos priedus mažiems, jaunesniems kaip 8 metų vaikams nepasiekiamoje vietoje.

• **ĮSPĖJIMAS:** Kai prietaisas veikia kombinuotu režimu, vaikai turėtų krosnelę naudoti tik prižiūrint suaugusiesiems, nes generuojama aukšta temperatūra. (Tik modeliams su grilio funkcija.)

- **ĮSPĖJIMAS.** Jei pažeistos durelės arba jų sandarikliai, krosnelės negalima naudoti, kol jos nesuremontuos kompetentingas asmuo.
- **ĮSPĖJIMAS:** Bet kam, išskyrus apmokytus asmenis, pavojinga atlikti bet kokias priežiūros ar remonto operacijas, kurių metu reikia nuimti dangčius, apsaugančius nuo mikrobangų energijos poveikio.
- **ĮSPĖJIMAS:** skysčiai ar kiti maisto produktai neturi būti šildomi sandariuose induose, nes jie gali sprogti.
- Vaikus reikia prižiūrėti, kad jie nežaistų su buitiniu prietaisu.
- Nenuimkite krosnelės kojelių, neužblokuokite oro įėjimo angų.
- Naudokite tik indus, kurie tinka naudoti mikrobangų krosnelėse.
- Kai maistas šildomas plastiko ar popieriaus inde, tikrinkite, ar krosnelėje nekilo gaisras.
- Pastebėję dūmų, išjunkite arba atjunkite prietaisą nuo elektros tinklo ir laikykite dureles uždarytas, kad nesusidarytų liepsnos.
- Gėrimą šildant mikrobangomis jis gali lėtai užvirti ir išbėgti, todėl su indu reikia elgtis atsargiai.
- Prieš patiekiant maitinimo buteliukų ir kūdikių indelių turinį reikia suplakti ar išmaišyti, o temperatūrą patikrinti, kad būtų išvengta nudegimų.

- Kiaušinių su lukštais ir sveikų kietai virtų kiaušinių nepatariama šildyti mikrobangų krosnelėje, nes jie gali sprogti net kai mikrobanginis kaitinimas jau yra pasibaigęs.
- Valant durelių, durelių sandariklių, orkaitės ertmės paviršius, naudokite tik silpnus, neabrazyvinius valiklius, valykite kempine arba minkštu skudurėliu.
- Krosnelę reikia reguliariai valyti ir šalinti visas maisto apnašas.
- Nevalant krosnelės paviršius gali koroduoti, nešvara gali turėti neigiamos įtakos prietaiso tarnavimo laikui ir sukelti kitus pavojus.
- Jei maitinimo laidas pažeistas, jį turi pakeisti gamintojas, jo aptarnavimo atstovas arba panašios kvalifikacijos asmenys, kad būtų išvengta pavojaus.
- Nenukabinkite laido per stalo ar darbastalio kraštą.
- Niekada nejunkite šio prietaiso prie išorinio laikmačio jungiklio arba nuotolinio valdymo sistemos, kad būtų išvengta pavojingos situacijos.
- Niekada nekeiskite lemputės orkaitės viduje. Tai visada turi atlikti „Hisense“ tarnyba.
- Nevalykite prietaiso garo valytuvais, aukšto slėgio siurbliais, aštriais daiktais, abrazyviniais valikliais ir abrazyvinėmis kempinėmis bei dėmių valikliais.

Toliau pateiktos visų prietaisų taisyklės ir garantijos, siekiant užtikrinti geriausias šios orkaitės eksploatacines savybes:

1. Naudojant orkaitę stiklinį dėklą, ritinėlius, sukabinimo ąseles ir ritinėlių griovelį visada laikykite įdėję jų vietose.
2. Nenaudokite orkaitės jokiems kitiems tikslams, išskyrus maisto ruošimą, pavyzdžiui, nenaudokite orkaitės džiovinti drabužiams, popieriui ar kitiems ne maisto daiktams arba sterilizavimui.
3. Prietaiso nenaudokite tuščio. Tai gali pakenkti krosnelei.
4. Nenaudokite orkaitės laikyti daiktams, pvz., popieriui, indams, ir t.t.
5. Nešildykite maisto, suvynioto į plėvelę, pavyzdžiui, kiaušinių trynių, bulvių, vištienos kepenių, ir t.t., jos prieš tai keletą kartų nepradūrę šakute.
6. Į angas ir išorinį korpusą neikiškite jokių daiktų.
7. Negalima nuimti jokių orkaitės dalių, pavyzdžiui, kojelių, movos, varžtų ir t.t.
8. Negalima kepti maisto tiesiai ant stiklinio padėklo. Dėkite maistą į tinkamus maisto ruošimui indus, prieš pašaudami į orkaitę. **SVARBU!** INDAI, KURIŲ NEGALIMA NAUDOTI MIKROBANGŲ KROSNELĖJE
 - Nenaudokite metalinių skardų ar indų su metalinėmis rankenomis.
 - Nenaudokite indų su metaliniais apvadais.
 - Nenaudokite popieriumi vilktų vielos aprišimų ant plastikinių maišelių.
 - Nenaudokite indų iš melamino, nes jų sudėtyje yra medžiaga, kuri sugers mikrobangų energiją. Tokie indai mikrobangėje gali įtrūkti ar apdegti, ir sulės maisto gaminimo greitis.
 - Nenaudokite „Centura Tableware“ indų. Nenaudokite glazūruotų indų. Negalima naudoti „Corelle Livingware“ puodelių uždara rankena.
 - Negaminkite maisto induose su siauru atidarymu, pavyzdžiui, buteliuose ar uždaruose buteliukuose, nes kaitinant mikrobangų krosnelėje jie gali sprogti.
 - Nenaudokite įprastinių mėsos ar konditerinių termometrų.
 - Yra termometrų, skirtų mikrobangų maisto ruošimui. Jie gali būti naudojami.
9. Mikrobangų krosnelei skirti indai turi būti naudojami tik pagal gamintojo nurodymus.
10. Negaminkite aliejuje verdamo maisto mikrobangų krosnelėje.
11. Atminkite, kad mikrobangų krosnelė šildo tik skystį, o ne patį indą.

Todėl jei indo dangtelis palietus nėra karštas, išėmus jį iš orkaitės, atminkite, kad maistas/skysčiai inde nukėlus dangtį gali garuoti ar taškytis, kaip ir kepant įprastiniu būdu.

12. Visada tikrinkite gaminamo maisto temperatūrą, ypač jei šildote ar gaminate maistą/skysčius kūdikiams. Patartina niekada nevirtoti maisto/skysčių tiesiai iš orkaitės, bet leisti pastovėti keletą minučių ir pamaišyti, kad šiluma vienodai pasiskirstytų.
13. Maistas, kuriame yra riebalų ir vandens mišinio, pvz., sultinys, išjungtoje orkaitėje turėtų stovėti 30–60 sekundžių. Taip mišinys nusistovi ir nebeburbuliuoja, įdėjus šaukštą arba sultinio kubelius į maistą/skysčius.
14. Gaminant / maistą/skysčius reikia prisiminti, kad yra tam tikrų maisto produktų, pavyzdžiui, Kalėdų pudingai, džemas ir faršas, kurie įkaista labai greitai. Šildydami maisto produktus su dideliu riebalų ar cukraus, nenaudokite plastmasinių indų.
15. Valgių gaminimo indai gali įkaisti dėl šilumos iš pašildyto maisto. Tai ypač aktualu, jei ant indų viršaus ir rankenų uždėta polietileninė plėvelė. Todėl juos reikia statyti ant dėklų, skirtų karšties puodams.
16. Norėdami sumažinti gaisro pavojų krosnelėje:
 - a) Nekepkite maisto per ilgai. Atidžiai stebėkite mikrobangų krosnelę, jei joje įdėjote popieriaus, plastiko ar kitos degios medžiagos, siekiant palengvinti maisto ruošimą.
 - b) Prieš dedant į krosnelę nuo maišelių nuimkite vielinius surišimus.
 - c) Jei medžiagos krosnelėje užsidega, laikykite orkaitės dureles uždarytas, išjunkite orkaitę sieniniu jungikliu arba išjunkite saugiklių galią arba srovės išjungiklius elektros skydinėje.



Potato



Pasta



Pizza



Popcorn



Vegetable



Beverage



Meat



Reheat



Fish

Microw.

Defrost/ECO

Timer/Mute

1

2

3

4

5

6

7

8

9

STOP

Cancel

0

Clock

START

+30 Sec

EKRANAS

Rodo laikrodį, gaminimo laiką ir nustatymą.

APŠALO PAŠALINIMAS

Naudokite šį mygtuką, norėdami atšildyti maistą pagal laiką ir svorį

MICROW.

Naudokite šį mygtuką, norėdami pasirinkti mikrobangų krosnelės galios lygį.

LAIKRODIS

Palaikykite šį mygtuką 3 sek., kad nustatytumėte laikrodį.

LAIKMATIS

Šiuo mygtuku nustatykite laikmačio funkciją.

PIKTOGRAMOS

Šiais mygtukais nustatykite laiką, maisto svorį ir pasirinkite automatinio meniu programas.

DEFROST/ECO

Šiuo mygtuku atšildykite maistą pagal laiką ir svorį. Šį mygtuką naudokite norėdami taupyti energiją.

TIMER/Mute

Paspauskite šį mygtuką budėjimo režime, kad patektumėte į garso įjungimo / išjungimo pasirinkimą.

0 – 9

Šiais mygtukais įveskite gaminimo laiką ir svorį.

SUSTABDYTI/ATŠAUKTI

Naudokite šį mygtuką, norėdami sustabdyti arba atšaukti nustatymą. Palaikykite 3 sek., kad

įjungtumėte užraktą nuo vaikų

START/+30 SEC

Naudokite šį mygtuką norėdami įjungti greitą 30 sekundžių gaminimo pradžią, padidinti gaminimo laiką po 30 sekundžių (kiekvieną paspaudimu) arba patvirtinti gaminimo nustatymus.

EKSPLOATAVIMO INSTRUKCIJOS

LAIKRODIS

Orkaitėje įrengtas skaitmeninis laikrodis. Kai orkaitė veikia budėjimo režimu, laikrodį galima nustatyti paspaudžiant laikrodžio mygtuką ir palaikant 3 sekundes.

1. Paspauskite skaitmenų (0–9) mygtukus ir įveskite laiką. Pavyzdžiui, norėdami įvesti dabartinį laiką 12:30, turite paspausti „1“, „2“, „3“ ir „0“. Įvestos valandos turi būti 1-24, o įvestos minutės – 0–59.
2. Paspauskite pradžios mygtuką, kad užbaigtumėte laikrodžio nustatymą. „:“ pradės mirksėti. Laikrodžio nustatymas baigtas.

PASTABA.

Prieš naudodami laikrodį įsitikinkite, kad jį nustatėte.

Naudokite atgalinės atskaitos laikmatį nustatyti žadintuvą.

1. Paspauskite laikmačio mygtuką. Ekrane bus rodoma „:“.
2. Paspauskite skaitmenų (0–9) mygtukus ir įveskite laiką. Ilgiausias laikas, kurį galima nustatyti, yra 99 minutės ir 99 sekundės.
3. Paspauskite START mygtuką, kad patvirtintumėte nustatymą.
4. Pasibaigus nustatytam laikui, mikrobangų krosnelė skleis garsinį signalą ir grįš į pradinę būseną.

PASTABA

- Kai veikia virtuvės laikmatis, negalima naudotis kitomis funkcijomis.
- Kai mikrobangų krosnelė nenaudojama, ši funkcija leidžia naudoti mikrobangų krosnelę kaip laikmatį.
- Įsitikinkite, kad laikrodis nustatytas.

Budėjimo režime paspauskite ir palaikykite šį mygtuką, kad įeitumėte į garso įjungimo / išjungimo pasirinkimą, o ekrane būtų rodoma atitinkama įjungimo arba išjungimo informacija. Pasirinkę įjungti arba išjungti garsą, paspauskite mygtuką STOP, kad išeitumėte iš pasirinkimo. Zumerio garsą galima įjungti arba išjungti pagal atitinkamus nustatymus.

Yra dešimt mikrobangų krosnelės galios lygių, atitinkamai 100P, 90P, 80P, 70P, 60P, 50P, 40P, 30P, 20P ir 10P. Nuolat spauskite mygtuką

„Microw“. ir pasirinkite pageidaujama mikrobangų krosnelės galią. Paspauskite 0~9 skaičių mygtukus, kad įvestumėte gaminimo laiką. Maksimalus laikas, kurį galima įvesti, yra 99:99.

Įvedę gaminimo laiką, paspauskite mygtuką „START/+30s.“, kad pradėtumėte darbą. Apie operacijos pabaigą praneša garsinis signalas.

LAIKMATIS/MUTE LAIKMATIS

LAIKMATIS/MUTE MUTE

MICROW.

PASTABA

Skirtingo galingumo prietaisai tinka skirtingiems patiekalams ruošti.

High	100 % ir 90 % galia	greitam ir kruopščiam maisto gaminimui
M.High	80% ir 70% galia	vidutinės spartos maisto gaminimui
Med	60% ir 50% galia	maistui garuose virti
M.Low	40% ir 30% galia	maisto produktams atitirpinti.
ŽEMAS	20% ir 10% galia	šilumos palaikymui

AUTOMATINIS GAMINIMAS

Maistui ruošti AUTO meniu reikia nustatyti tik maisto rūšį ir svorį/dydį. Orkaitė pati nustatys galią ir laiką.

Pvz.: Jei norite iškepti 2 bulvių gabaliukus, atlikite toliau nurodytus veiksmus.

1. Kelis kartus paspauskite bulvių mygtuką, kad pasirinktumėte savo maisto svorio variantą. Daugiau informacijos rasite automatinio gaminimo meniu lentelėje.
2. Paspauskite START mygtuką, kad patvirtintumėte ir pradėtumėte gaminti.

Menu	Ekranas	Svoris
A1 Bulvės	250	250g
	500	500g
	750	750g
A2 Makaronai	50	50g
	100	100g
	150	150g
A3 Pica	200	200g
	400	400g
A4 Spraginti kukurūzai	100	100g
A5 Daržovės (šaldytos)	200	200g
	400	400g
	600	600g
A6 Gėrimai	1	250ml
	2	500ml
	3	750ml

A7 Mėsa	200	200g
	400	400g
	600	600g
A8 Žuvis	200	200g
	400	400g
	600	600g

PASTABA

- Kai kuriuos maisto produktus kepant gali tekti apversti, kad jie gerai iškeptų ir tolygiai apskrustų.
- Maisto produktų tankis ir storis gali turėti įtakos jų gaminimo laikui.
- Visos gaminimo trukmės yra tik apytikslės; pritaikykite pagal pageidaujama skonį ir receptus.
- Mikrobangų krosnelėje naudokite tik mikrobangų krosnei tinkamus indus ir maistinę plėvelę. Prieš kepdami plėvelę pradurkite šakute.

ATITIRPINIMAS
PAGAL SVORĮ
dEF1

Orkaitėje galima atšildyti mėsą, paukštieną ir jūros gėrybes. Atitirpinimo laikas ir galingumas reguliuojamas automatiškai pagal iš anksto nustatytą masę. Atšildomo maisto svoris gali būti nuo 100 g iki 1500 g.

1. Paspauskite svorio atitirpinimo mygtuką ir ekrane pasirodys „dEF1“.
2. Norėdami įvesti svorį, paspauskite skaičių (0–9) mygtukus. Pavyzdžiui, įveskite svorį paspausdami „6“, „0“, „0“ – 600 g.
3. Paspauskite START mygtuką, kad patvirtintumėte ir pradėtumėte gaminti.

PASTABA

Įpusėjus atšildymo procesui metu orkaitė automatiškai supypsi du kartus. Taip primenama, kad reikia apversti maistą. Apvertus uždarykite dureles ir paspauskite START mygtuką.

Dideli maisto gabalai gali būti užšaldomi centre. Todėl, norėdami užtikrinti tolygų atšildymą, kartkartėmis juos apverskite ir atšildymo metu sulaužykite į mažesnius gabalėlius.

Atšildymo metu išpilkite skysčius, nes maisto produktų sultys gali įkaisti ir maistą iškepti.

ATITIRPINIMAS
PAGAL LAIKĄ
dEF2

Orkaitėje taip pat galima greitai atitirpinti.

1. Paspauskite „Time Defrost“ (atitirpinimas pagal laiką) ir ekrane pasirodys „dEF2“.
2. Paspauskite skaičių (0–9) mygtukus, kad įvestumėte atitirpinimo laiką. Pavyzdžiui, įveskite atitirpinimo laiką paspausdami „5“, „3“, „0“ 5 min. ir 30 sek.
3. Paspauskite START mygtuką, kad patvirtintumėte ir pradėtumėte gaminti.

PASTABA

Dideli maisto gabalai gali būti užšaldomi centre. Todėl, norėdami užtikrinti tolygų atšildymą, kartkartėmis juos apverskite ir atšildymo metu sulaužykite į mažesnius gabalėlius.

Atšildymo metu išpilkite skysčius, nes maisto produktų sultys gali įkaisti ir maistą iškepti.

DEFROST/ECO
ECO

Budėjimo režime paspauskite ir palaikykite šį mygtuką, kad įeitumėte į ECO režimą, ir ekranas išsijungs. ECO režime paspauskite bet kurį mygtuką, kad išeitumėte iš ECO režimo, ir ekrano ekranas užsidegs.

GREIŲA
PRADŽIA

Orkaitės naudojimo patarimai

Naudokite šią funkciją, norėdami greitai pašildyti (100% mikrobangų galios) arba išvirti maistą. Prietaisui veikiant laukimo režimu, paspauskite START mygtuką, ir orkaitė veiks 30 sekundžių. Kiekvieną kartą papildomai spaudžiant START mygtuką, veikimo laikas bus pratęstas dar 30 sekundžių.

PASTABA.

Paspaudus START mygtuką dar kartą, gaminimo laikas bus pratęstas 30 sekundžių visoms programoms, išskyrus automatinį režimą, daugiapakopį maisto ruošimą ir automatinio atitirpinimo režimą.

UŽRAKTAS
NUO VAIKŲ

Naudokite šią funkciją norėdami užrakinti valdymo skydelį, kai valote arba kad vaikai negalėtų naudotis orkaite be priežiūros. Šiuo režimu neveikia visi mygtukai.

- 1) Užrakto nustatymas: Palaikykite STOP mygtuką nuspaudę maždaug 3 sekundes.
- 2) Atšaukti užraktą: Palaikykite STOP mygtuką nuspaudę maždaug 3 sekundes.

MIKROBANGŲ KROSNELĖS PRIEŽIŪRA

1. Prieš valydami išjunkite krosnelę ir ištraukite elektros kištuką iš rozetės.
2. Krosnelės vidų užlaikykite švariai. Kai maistas išsitaško ar išsilieja skysčiai, krosnelės sienelės nuvalykite drėgnu skudurėliu. Negalima naudoti jokių abrazyvinių chemikalų ar ėsdinančių valiklių.
3. Valykite krosnelę ir išorinius paviršius drėgna šluoste. Kad nesugadintumėte dalių krosnelės viduje, neleiskite vandeniui patekti á ventilacijos angas.
4. Neleiskite valdymo pultui sušlapti. Valykite minkšta, drėgna šluoste, valdymo skydai nenaudokite valymo priemonių, abrazyvinių arba purškiamų valiklių.
5. Jei garas kaupiasi viduje arba aplink krosnies durelių išorę, nuvalykite minkštu skudurėliu. Taip gali atsitikti, kai mikrobangų krosnelė eksploatuojama didelėje drėgmėje. Tai nereiškia, kad ji sugedo.
6. Būtina kartkartėmis išimti ir išvalyti stiklo padėklą. Dėklą plaukite šiltame muiluotame vandenyje arba indaplovėje.
7. Norint išvengti pernelyg didelio triukšmo, reikia reguliariai valyti ritinio žiedą ir orkaitės ertmę. Tiesiog nuvalykite apatinį krosnelės paviršių švelniu valikliu. Nuplaukite ir išdžiovinkite. Volo žiedas gali būti plaunamas švelniu muiluotu vandeniu ar indų plovikliu. Maisto gaminimo metu susidarantys garai nedaro poveikio apatiniam paviršiui ar volo žiedo ratams. Nuėmę ritinio žiedą nuo ertmės valymui, būtinai vėl įdėkite jį į tinkamą padėtį.
8. Pašalinkite kvapus iš krosnelės užvirindami puodelį vandens su vienos citrinos sultimis ir odele giliame dubenyje. Pakaitinkite 5 minutes, gerai nuvalykite minkštu, sausa šluoste.

APLINKA

Neišmeskite prietaiso su įprastomis buitinėmis atliekomis kai jo nebenaudojate, o nuneškite jį į oficialų surinkimo punktą perdirbti. Tokiu būdu galite padėti saugoti aplinką.

MIKROBANGŲ KROSNELĖS MONTAVIMAS

ĮRENGIMAS

1. Įsitikinkite, kad iš vidinės durelių pusės išimtos visos pakavimo medžiagos yra pašalinamos.
2. Vizualiai patikrinkite orkaitę po išpakavimo, ar nėra pažeidimų:
 - Išklampusios durelės
 - Sugadintos durelės
 - Įlenkimų ar skylių durelių lange ir ekrane
 - Įlenkimai ir ertmėsJei yra kurių nors aukščiau nurodytų pažeidimų, orkaitės nenaudokite.
3. Ši mikrobangų krosnelė sveria 11 kg ir turi būti statoma ant horizontalaus paviršiaus, pakankamai tvirto atlaikyti tokį svorį.
4. Orkaitė turi būti statoma atokiau nuo aukštos temperatūros ir garų šaltinių.
5. Nieko nedėkite ant orkaitės viršaus.
6. Įrenkite orkaitę bent 20 cm atstumu nuo abiejų šoninių sienelių ir 30 cm atstumu nuo viršutinės sienelės, siekiant užtikrinti tinkamą ventilaciją.
7. **NEIŠIMKITE** sukamojo padėklo veleno.
8. Kaip ir su bet kuriuo prietaisu, būtina priežiūra, kai juo naudojasi vaikai.
9. Kintamosios srovės lizdas turi būti lengvai pasiekiamas, kad įvykus avarijai būtų galima greitai ištraukti kištuką. Priešingu atveju turi būti įmanoma atjungti prietaisą nuo maitinimo tinklo. Tokiu atveju reikia laikytis esamų elektros saugos standartų. Gaminys turi būti tinkamai įrengtas ir pajungtas į vienfazės kintamos srovės įžemintą elektros (220-240 V/50 Hz).
ĮSPĖJIMAS! ŠĮ GAMINĮ REIKIA ĮŽEMINTI.
10. Šios orkaitės galingumas 1,1 kVA. Pasitarkite su meistru prieš montuojant orkaitę.

ATSARGIAI. Ši krosnelė yra apsaugota iš vidaus 250 V, 8 Amp saugikliu.

SPECIFIKACIJOS

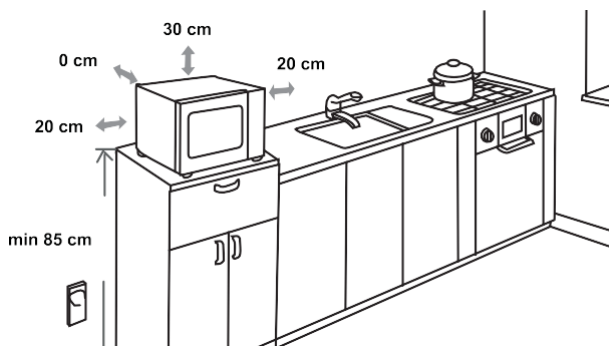
Galios sąnaudos.....	220-240 V ~50 Hz, 1150 W
Išvesties srovė	700 W
Veikimo dažnis	2450 MHz
Išorės matmenys	451 x 283 x 364 mm
Krosnelės talpa.....	20 litrų
Tuščio prietaiso svoris.....	Apytiksliai 11 kg
Triukšmo lygis.....	Lc < 61 dB (A)



Šis prietaisas atitinka Europos EU/2012/19, Elektros ir elektroninės įrangos atliekų direktyvą (EEĮ atliekų direktyvą).

Šios gairės galioja visoje Europoje grąžinant ir perdirbant naudotą elektros ir elektroninę įrangą ir jos atliekas

MONTAVIMO MATMENYS



RADIJO TRUKDŽIAI

Ekspluatuojant mikrobangų krosnelę, ji gali trikdyti radijo, televizijos ar panašius prietaisus. Kai yra trukdžių, juos galima sumažinti arba pašalinti imantis šių priemonių:

- Išvalykite krosnelės dureles ir sandarinimo paviršius.
- Statykite radiją, TV ir t.t. kuo toliau nuo mikrobangų krosnelės.
- Naudokite tinkamai sumontuotą radijo, televizijos anteną ir t.t. norėdami gauti geresnį signalą.

MES PASILIEKAME TEISĘ DARYTI PAKEITIMUS,
KURIE NETURI ĮTAKOS PRIETAISO VEIKIMUI

KAS ŽINOTINA PRIEŠ KREIPIANTIS DĖL REMONTO

1. Jei orkaitė visai neveikia, informacija ekrane nerodoma arba ekranas išnyko:
 - a) Patikrinkite, ar krosnelė yra prijungta saugiai. Jei tai ne, ištraukite kištuką iš elektros lizdo, palaukite 10 sekundžių ir vėl saugiai įjunkite.
 - b) Patikrinkite, ar neperdegė saugiklis arba nesuveikė pagrindinis jungiklis. Jei atrodo, kad jie veikia gerai, išbandykite lizdą su kitu prietaisu.
2. Jei neveikia mikrobangų galia:
 - a) Patikrinkite, ar nustatytas laikmatis.
 - b) Patikrinkite, ar durelės yra saugiai uždarytos ir ar užsikabina durelių saugos užrakto sistema. Priešingu atveju mikrobangų krosnelės energija nepateks į orkaitę.

Jei nė vienas iš pirmiau pateiktų patarimų nepadeda, kreipkitės į artimiausią įgaliotą techninės priežiūros atstovą.

Buityje naudojamas prietaisas maisto ir gėrimų šildymui, naudojant elektromagnetinę energiją, skirtas naudoti tik patalpose.

GARANTINIS APTARNAVIMAS IR PRIEŽIŪRA

Jei reikia informacijos arba iškilo problema, kreipkitės į „Hisense“ klientų aptarnavimo centrą savo šalyje (jo telefono numerį rasite pasaulinės garantijos lapelyje). Jei jūsų šalyje nėra klientų aptarnavimo centro, kreipkitės į vietinį „Hisense“ pardavėją arba į „Hisense“ buitinės technikos techninio aptarnavimo skyrių.

Tik asmeniniam naudojimui!

LINKIME SĖKMINGAI NAUDOTIS ŠIUO PRIETAISU

Hisense

CIEN. KLIENTI!

Paldies, ka iegādājāties mūsu ierīci. Mēs ticam, ka jūs pavisam drīz atradīsiet daudz pierādījumu tam, ka jūs patiešām varat pajauties uz mūsu produktiem. Lai atvieglotu ierīces lietošanu, mēs pievienojam šo visaptverošo lietošanas instrukciju.

Šiem norādījumiem vajadzētu palīdzēt jums iepazīt jauno ierīci. Lūdzu, rūpīgi izlasiet tos pirms ierīces pirmās lietošanas reizes.

Jebkurā gadījumā, lūdzu, pārlicinieties, ka ierīce jums piegādāta bez bojājumiem. Ja konstatējat jebkādas transportēšanas bojājumus, sazinieties ar tirdzniecības pārstāvi vai reģionālo noliktavu, no kuras produkts tika piegādāts. Tālruņa numuru atradīsiet saņemšanas vai piegādes aktā.

Novēlam jums gūt daudz prieka, izmantojot savu jauno sadzīves tehniku.

Ierīce ir paredzēta lietošanai mājstarpniecībā pārtikas un dzērienu sildīšanai, izmantojot elektromagnētisko enerģiju. Lietošanai tikai iekštelpās.



LIETOŠANAS INSTRUKCIJA

Šie norādījumi ir paredzēti ierīces lietotājam. Tajos ir aprakstīta plīts darbība un tās izmantošana. Tie attiecas arī uz dažāda veida ierīcēm; tādēļ šeit varētu būt daži funkciju apraksti, kas var neattiekties uz jūsu ierīci.

ENERĢIJAS PATĒRIŅŠ

Produkta informācija par enerģijas patēriņu un maksimālo laiku, lai sasniegtu piemērojamo mazjaudas režīmu.

Izslēgts režīms	0.8W
Maksimālais laiks, kas nepieciešams, lai mikroviļņu krāsns automātiski sasniegtu piemērojamo mazjaudas režīmu vai stāvokli.	15 minūtes

Mēs paturam tiesības uz jebkādam izmaiņām un kļūdām lietošanas instrukcijā.



Nekad nepieskarieties apkures vai ēdiena gatavošanas ierīču virsmām. Darbības laikā tās sakarst. Turiet bērnus drošā attālumā no ierīces. Pastāv apdeguma risks!



Mikroviļņu enerģija un augsts spriegums! Nenoņemiet vāku.

BRĪDINĀJUMS! Ierīce un pieejamās daļas lietošanas laikā sakarst. Jāuzmanās, lai nepieskartos sildelementiem. Pieskatiet, lai bērni, kas ir jaunāki par 8 gadiem, neatrastos ierīces tuvumā, ja vien viņi netiek pastāvīgi uzraudzīti. Bērni ir jāuzrauga, lai nodrošinātu, ka viņi nerotaļājas ar ierīci.

Bērni, kas sasnieguši 8 gadu vecumu un vairāk, un cilvēki ar samazinātām fiziskajām, sensorajām

un garīgajām spējām vai ar pieredzes vai zināšanu trūkumu ierīci var lietot tikai citu cilvēku uzraudzībā vai pēc tam, kad viņi ir apmācīti to izmantot un ir sapratuši iespējamos riskus. Bērni nedrīkst spēlēties ar ierīci. Bērni nedrīkst veikt ierīces tīrīšanu un lietošanas apkopi bez pieaugušo uzraudzības.

Ierīci un tās elektrības vadu glabājiet vietā, kas nav pieejama bērniem, kuri ir jaunāki par 8 gadiem.

- **BRĪDINĀJUMS:** Kad ierīce tiek darbināta kombinētajā režīmā, tās radītās temperatūras dēļ bērni drīkst lietot krāsni tikai pieaugušo uzraudzībā (tikai modelim ar grila funkciju).

- **BRĪDINĀJUMS:** Ja durvis vai durvju blīves ir bojātas, krāsni nedrīkst lietot, kamēr to nav saremontējusi kompetenta persona.
- **BRĪDINĀJUMS:** Jebkādas apkopes vai remonta darbības, kuras paredz vāka, kas aizsargā pret mikroviļņu enerģijas iedarbību, noņemšanu, ir bīstama jebkuram lietotājam, izņemot kompetentu personu.
- **BRĪDINĀJUMS:** Šķidrumus un citus pārtikas produktus nedrīkst karsēt noslēgtos traukos, jo tie var uzsprāgt.
- Bērni ir jāuzrauga, lai nodrošinātu, ka viņi nerotaļājas ar ierīci.
- Nenovietojiet krāsni kājiņas; nebloķējiet gaisa piekļuvi krāsnij.
- Lietojiet tikai tādus traukus, kas ir piemēroti lietošanai mikroviļņu krāsnīs.
- Sildot pārtiku plastmasas vai papīra traukos, uzmaniet krāsni, jo pastāv aizdegšanās iespēja.
- Ja izdalās dūmi, izslēdziet ierīci vai atvienojiet to no elektrotīkla un turiet durvis aizvērtas, lai apslāpētu liesmas.
- Dzērienu karsēšana mikroviļņu krāsnī var izraisīt aizkavētu vārīšanos ar strauju burbuļošanu, tāpēc, rīkojoties ar trauku, jābūt uzmanīgiem.
- Lai izvairītos no apdegumiem, bērnu barošanas pudeļu un bērnu pārtikas burciņu saturs pirms lietošanas jāsamaisa vai jāsakrata un jāpārbauda temperatūra.

- Olas čaumalās un veselas cieti vārītas olas nedrīkst sildīt mikroviļņu krāsnī, jo tās var uzsprāgt pat pēc tam, kad pabeigta sildīšana mikroviļņu krāsnī.
- Tīrot durvju virsmas, durvju blīvējumu vai krāsns dobumu, izmantojiet tikai maigas iedarbības neabrazīvas ziepes vai mazgāšanas līdzekļus, uzklājot tos ar sūkli vai mīkstu drānu.
- Krāsns ir regulāri jātīra un jānoņem pārtikas nogulsnes.
- Ja krāsns netiek uzturēta tīrā stāvoklī, tas var veicināt virsmas nolietošanos, kas savukārt var negatīvi ietekmēt ierīces kalpošanas laiku un, iespējams, izraisīt bīstamu situāciju.
- Ja barošanas vads ir bojāts, tas jānomaina ražotājam, tā servisa aģentam vai līdzīgi kvalificētām personām, lai izvairītos no apdraudējumiem.
- Novērsiet situācijas, ka vads nokarājas pāri galda vai darba virsmas malai.
- Lai izvairītos no bīstamas situācijas, nekad nepievienojiet šo ierīci ārējam taimera slēdzim vai tālvadības sistēmai.
- Nekad nemainiet spuldzi krāsnī. Tas vienmēr ir jāveic Hisense servisa centrā.
- Netīriet ierīci ar tvaika tīrītājiem, augstspiediena tīrītājiem, asiem priekšmetiem, abrazīviem tīrīšanas līdzekļiem un abrazīviem sūklīem un traipu tīrīšanas līdzekļiem.

Tālāk tekstā, tāpat kā citām ierīcēm, ir minēti daži norādījumi, kas jāievēro, un drošības pasākumi, lai nodrošinātu šīs krāsns vislabāko veiktspēju:

1. Pirms mikroviļņu krāsns lietošanas vienmēr novietojiet paredzētajā vietā stikla paplāti, rotējošo balstu, savienojumu un rullīšu transportieri.
2. Neizmantojiet krāsni citiem nolūkiem, izņemot ēdiena pagatavošanu, piemēram, drēbju, papīra vai citu nepārtikas priekšmetu žāvēšanai vai sterilizēšanai.
3. Nekad neieslēdziet mikroviļņu krāsni, ja tā ir tukša, jo tas var sabojāt mikroviļņu krāsni.
4. Neizmantojiet krāsns dobumu nekāda veida priekšmetu uzglabāšanai, piemēram, papīriem, pavārgrāmatām utt.
5. Gatavojot krāsni ēdienu, ko ieskauj apvalks/membrāna, piemēram, olu dzeltenumus, kartupeļus, vistu aknas utt., vispirms ar dakšiņu caurduriet apvalku vairākās vietās.
6. Neievietojiet nekādus priekšmetus ārējā korpusa atverēs.
7. Nekad nenogremiet no krāsns tās detaļas, piemēram, kājiņas, savienojumus, skrūves utt.
8. Negatavojiet ēdienu tieši uz stikla paplātes. Pirms ievietošanas krāsni ielieciet ēdienu atbilstošā gatavošanas traukā. **SVARĪGI - NEIZMANTOJIET TRAUKUS, KAS NAV PIEMĒROTI MIKROVIĻŅU KRĀSNIJ**
 - Neizmantojiet metāla pannas vai traukus ar metāla rokturiem.
 - Neizmantojiet nekādus traukus ar metāla apdari.
 - Neizmantojiet plastmasas maisījumiem paredzētus stieplju savilcējus, kas pārklāti ar papīru.
 - Neizmantojiet melamīna traukus, jo tie satur materiālu, kas absorbē mikroviļņu enerģiju. Tas var izraisīt trauku saplaisāšanu vai apdegšanu un palēnināt gatavošanas procesu.
 - Neizmantojiet Centura galda piederumus. To pārklājums nav piemērots lietošanai mikroviļņu krāsni. Nedrīkst izmantot Corelle Livingware krūzes ar slēgtu rokturi.
 - Negatavojiet ēdienu traukos ar ierobežotu atveri, piemēram, pudelēs vai hermētiski noslēgtās eļļas pudelēs, jo, karsējot mikroviļņu krāsni, šādi trauki var eksplodēt.
 - Neizmantojiet parastos gaļas vai desertu termometrus.
 - Ir pieejami termometri, kas ir īpaši paredzēti gatavošanai mikroviļņu krāsni. Tos var izmantot šajās krāsni.
9. Mikroviļņu traukus drīkst lietot tikai saskaņā ar ražotāja norādījumiem.
10. Nemēģiniet šajā krāsni vārīt ēdienus eļļā.
11. Lūdzu, atcerieties, ka mikroviļņu krāsns uzsilda tikai šķidrumu traukā, nevis pašu trauku.

Tāpēc, lai gan, izņemot ēdienu no krāsns, trauka vāks pēc taustes nav karsts, atcerieties, ka, noņemot vāku, ēdiens vai dzēriens trauka iekšpusē izdalīs tvaiku vai sprakšķēs tieši tāpat kā gatavojot uz parastas plīts.

12. Vienmēr pārbaudiet gatavotā ēdiena temperatūru, īpaši, ja karsējat vai gatavojat ēdienu/šķidrumu mazuljiem. Ieteicams nekad nelietot pārtiku/šķidrumu uzreiz pēc izņemšanas no krāsns, bet ļaut tam dažas minūtes nostāvēties, un tad samaisīt ēdienu/šķidrumu, lai vienmērīgi sadalītu siltumu.
13. Ēdienam, kas satur tauku un ūdens maisījumu, piemēram, buljonam, vajadzētu nostāvēties krāsnī 30–60 sekundes pēc izslēgšanas. Tas nepieciešams, lai maisījums nostātos un novērstu burbuļošanu, kad ēdienā/šķidrumā ievieto karoti vai pievieno buljona kubiņu.
14. Gatavojot/karsējot ēdienu/šķidrumu, atcerieties, ka ir daži ēdieni, piemēram, Ziemassvētku pudīgi, ievārījums un maltā gaļa, kas ļoti ātri uzsilst. Sildot vai gatavojot ēdienu ar augstu tauku vai cukura saturu, neizmantojiet plastmasas traukus.
15. Virtuves piederumi var sakarst, jo no uzkarstētā ēdiena izdalās siltums. Tas īpaši attiecas uz gadījumiem, kad trauka augšpuse un rokturi ir pārklāti ar plastmasas apvalku. Lai rīkotos ar trauku, var būt nepieciešami virtuves cimdi vai trauku turētāji.
16. Lai samazinātu aizdegšanās risku krāsnī:
 - a) Nepārkarsējiet ēdienu. Rūpīgi pieskatiet mikroviļņu krāsnī, ja ērtākai gatavošanai krāsnī ir ievietots papīrs, plastmasa vai citi degoši materiāli.
 - b) Pirms maisiņu ievietošanas krāsnī, noņemiet no tiem stieplju savilcējus.
 - c) Ja aizdegas krāsnī esošie materiāli, turiet krāsns durvis aizvērtas, izslēdziet krāsnī ar sienas slēdzi vai atslēdzat barošanu drošinātājā vai slēdža panelī.

VADĪBAS PANELIS



Potato



Pasta



Pizza



Popcorn



Vegetable



Beverage



Meat



Reheat



Fish

Microw.

Defrost/ECO

Timer/Mute

1

2

3

4

5

6

7

8

9

STOP

Cancel

0

Clock

START

+30 Sec

DISPLEJS

Rāda pulksteni, gatavošanas ilgumu un iestatījumu.

DEFROSF (ATLAIDINĀŠANA)

Lietojiet šo taustiņu, lai atļautu ēdienu pēc laika vai svara

MICROW. (MIKROVIĻŅI)

Izmantojiet šo taustiņu, lai izvēlētos mikroviļņu jaudas līmeni.

CLOCK (PULKSTENIS)

Turiet šo taustiņu 3 sekundes, lai iestatītu pulksteni.

TAIMERIS

Izmantojiet šo taustiņu, lai iestatītu taimera funkciju.

IKONAS

Izmantojiet šos taustiņus, lai iestatītu laiku un ēdiena svaru un izvēlētos automātiskās izvēlnes programmas.

DEFROST/ECO (Atļaidināt/Eko)

Lietojiet šo taustiņu, lai atļautu pārtikas produktu pēc laika vai svara. Lietojiet šo taustiņu, lai taupītu elektroenerģiju.

TIMER/Mute (Taimeris/Apklusināt)

Piespiediet šo pogu gaidstāves režīmā, lai ielietu ieslēgtas/izslēgtas skaņas atlasē

0 – 9

Izmantojiet šos taustiņus, lai ievadītu gatavošanas laiku un svaru.

STOP/CANCEL (APTURĒT/ATCELŅI)

Izmantojiet šo taustiņu, lai apturētu vai atceltu iestatījumu. Lai lietotu bērnu drošības funkciju, turiet piespiestu 3 sekundes.

START/+30 sec (APSTIPRINĀT/PALAIST/+30 SEK.)

Lietojiet šo taustiņu, lai sāktu strauju gatavošanu uz 30 sekundēm, lai paildzinātu gatavošanas laiku par 30 sekundēm (ar katru piespiešanas reizi) vai lai apstiprinātu gatavošanas iestatījumus.

DARBA NORĀDĪJUMI

PULKSTENIS

Krāsns ir aprīkota ar digitālu pulksteni. Kad krāsns ir gaidīšanas režīmā, pulksteni var iestatīt, 3 sekundes spiežot taustiņu "Clock" (pulkstenis).

1. Piespiediet ciparu (0-9) taustiņus un ievadiet laiku. Piemēram, lai ievadītu laiku 12:30, jāpiespiež "1", "2", "3", "0". Ievadītajai stundai jābūt amplitūdā no 1 līdz 24, un ievadītajām minūtēm jābūt amplitūdā no 0 līdz 59.
2. Lai pabeigtu pulksteņa iestatīšanu, piespiediet taustiņu "Start" (sākt). Sāks mirgot ":". Līdz ar to pulksteņa iestatīšana ir pabeigta.

IEVĒROJIET!

Pirms lietošanas pārlicinieties, ka esat iestatījis pulksteni.

Skaņas signāla iestatīšanai izmantojiet atlikušā laika skaitīšanas taimeris.

1. Piespiediet taustiņu "Taimeris". Displejā tiks parādīts ":".
2. Piespiediet ciparu (0-9) taustiņus un ievadiet taimera laiku. Ilgākais iestatāmais laiks ir 99 minūtes un 99 sekundes.
3. Lai apstiprinātu iestatījumu, piespiediet taustiņu "START".
4. Līdzko laiks būs pagājis, no mikroviļņu krāsns atskanēs skaņās signāls, un tā atgriezīsies sākuma stāvoklī.

IEVĒROJIET

- Laikā, kad darbojas virtuves taimeris, citas funkcijas nedarbojas.
- Kad mikroviļņu krāsns netiek lietots, šī funkcija ļauj izmantot mikroviļņu krāsni kā taimeris.
- Lūdzu, pārlicinieties, ka ir iestatīts pulkstenis.

Gaidstāves režīmā piespiediet un turiet piespiestu šo pogu, lai ieiētu ieslēgtas/izslēgtas skaņas atlasē un rādītu attiecīgo ieslēgta vai izslēgta stāvokļa informāciju. Pēc skaņas ieslēgšanas vai izslēgšanas atlasēs piespiediet pogu "STOP", lai izietu no atlasēs. Zummera skaņu var ieslēgt vai izslēgt atbilstoši attiecīgajiem iestatījumiem.

TIMER/MUTE
(Taimeris/Apklusināt)
TAIMERIS

TIMER/MUTE
(Taimeris/Apklusināt)
MUTE (Apklusināt)

MICROW. (Mikroviļņi)

Ir desmit mikroviļņu jaudas līmeņu, attiecīgi 100P, 90P, 80P, 70P, 60P, 50P, 40P, 30P, 20P un 10P. Spiediet pogu "Microw." (Mikroviļņi) bez pārtraukuma un atlasiet vajadzīgo mikroviļņu jaudu. Spiediet ciparu 0~9 pogas, lai ievadītu gatavošanas ilgumu, maksimālais ilgums, kādu var ievadīt, ir 99:99. Pēc gatavošanas ilguma ievadīšanas piespiediet pogu "START/+30s", lai sāktu darbu. Zumoša skaņa, kas paziņo par darba pabeigšanu.

IEVĒROJIET:

Dažādu ēdienu gatavošanai ir piemērota atšķirīga jauda.

LIELA	100% un 90% izejas jauda	ātrai un pamatīgai gatavošanai
Vid. liela	80% un 70% izejas jauda	vidēji straujai gatavošanai
Vid.	60% un 50% izejas jauda	tvaicētam ēdienam
Vid. zema	40% un 30% izejas jauda	pārtikas atļaidināšanai
NELIELA	20% un 10% izejas jauda	siltuma uzturēšanai

Ēdiena gatavošanai automātiskajā režīmā jāiestata tikai ēdiena veids un svars/daudzums. Krāsns palīdzēs iestatīt jaudu un gatavošanas ilgumu.

Piemērs: Ja vēlaties pagatavot divus kartupeļus, rikojieties, kā norādīts tālāk:

1. Atkārtoti piespiediet pogu "Potato" (kartupelis), lai atlasītu ēdiena svara izvēles iespēju. Plašāku informāciju meklējiet automātiskās gatavošanas ēdienu tabulā.
2. Lai apstiprinātu un sāktu gatavošanu, piespiediet taustiņu START (sākt).

Ēdiens	Displejs	Svars
A1 Kartupeļi	250	250g
	500	500g
	750	750g
A2 Pasta	50	50g
	100	100g
	150	150g
A3 Pica	200	200g
	400	400g
A4 Kukurūza	100	100g
A5 Dārzeņi (sasaldēti)	200	200g
	400	400g
	600	600g
A6 Dzēriens	1	250ml
	2	500ml
	3	750ml

A7 Gaļa	200	200g
	400	400g
	600	600g
A8 Zivs	200	200g
	400	400g
	600	600g

IEVĒROJIET:

- Lai nodrošinātu dažu ēdienu pilnīgu pagatavošanu un vienmērīgu apbrūnināšanu, gatavošanas laikā tos varētu būt jāapgriež.
- Ēdiena gatavošanas ilgumu var ietekmēt pārtikas produktu blīvums un biežums.
- Katram ēdienam norādītais gatavošanas ilgums ir aptuvenš; pielāgojiet to katra gaumei un konkrētām receptēm.
- Mikroviļņu krāsnī izmantojiet tikai lietošanai mikroviļņu krāsnī piemērotus traukus un pārtikas plēvi. Pirms gatavošanas saduriet plēvi ar dakšīņu.

ATLAIDINĀŠANA
SASKAŅĀ AR
SVARU dEF1

Krāsnī iespējams atlaidināt gaļu, putnu gaļu un jūras veltes. Atlaidināšanas ilgums un darbības jauda tiks automātiski pielāgota, pamatojoties uz iepriekš iestatīto svaru. Atlaidināmās pārtikas sveram jābūt ne mazākam par 100 g un ne lielākam par 1500 g.

1. Piespiediet taustiņu "Weight Defrost" (atlaidināšana saskaņā ar svaru), un displejā tiks parādīts "dEF1".
2. Piespiediet ciparu (0-9) taustiņus un ievadiet svaru. Piemēram, 600 gramiem ievadiet svaru, piespiežot "6", "0", "0".
3. Lai apstiprinātu un sāktu gatavošanu, piespiediet taustiņu START (sākt).

IEVĒROJIET:

Kad būs pagājusi puse no atlaidināšanas laika, automātiski būs dzirdami divi skaņas pikstieni. Tas ir atgādinājums par ēdiena apgrīšanu. Pēc ēdiena apgrīšanas aizveriet krāsns durvītas un piespiediet pogu START.

Lieli gabali vidusdaļā var būt joprojām sasaluši. Tādēļ, lai nodrošinātu vienmērīgu atkušanu, atlaidināšanas laikā tos ik pa brīdī apgrīziet un sadaliet mazākos gabalos. Atlaidināšanas laikā nosusiniet šķidrumu, jo ēdiena sulas var kļūt karstas un ēdiens tajās var sākt gatavoties.

ATLAIDINĀŠANA
SASKAŅĀ AR
LAIKU dEF2

Krāsni iespējama arī paātrināta atlaidināšana.

1. Piespiediet "Time Defrost" (atlaidināšana saskaņā ar laiku), un displejā tiks parādīts "dEF2".
2. Piespiediet ciparu (0-9) taustiņus un ievadiet atlaidināšanas ilgumu. Piemēram, 5 minūtēm un 30 sekundēm ievadiet atlaidināšanas ilgumu, piespiežot "5", "3", "0".
3. Lai apstiprinātu un sāktu gatavošanu, piespiediet taustiņu START (sākt).

IEVĒROJIET

Lieli gabali vidusdaļā var būt joprojām masaluši. Tādēļ, lai nodrošinātu vienmērīgu atkuššanu, atlaidināšanas laikā tos ik pa brīdim apgrieziet un sadaliet mazākos gabalos. Atlaidināšanas laikā nosusiniet šķidrumsulā ēdiena sulas var kļūt karstas un ēdiens tajās var sākt gatavoties.

DEFROST/ECO
(Atlaidināt/Eko)
ECO (Eko)

Gaidstāves režīmā piespiediet un turiet piespiestu šo pogu, lai ieiētu režīmā ECO (Eko), un displeja ekrāns izslēgsies. Režīmā ECO (Eko) piespiediet jebkuru pogu, lai izietu no režīma ECO, un displeja ekrāns iedegsies.

QUICK START
(STRAUJA
UZSĀKŠANA)

Padomi krāsns lietošanai

Lietojiet šo funkciju, lai strauji uzkarsetu (100% mikroviļņu jauda) vai gatavotu ēdienu. Gaidstāves režīmā piespiediet taustiņu START, un krāsns darbosies 30 sekundes. Secīgi piespiežot taustiņu START, katru piespiešanas reizi darbības ilgums tiks pagarināts par 30 sekundēm.

IEVĒROJIET

Vēlreiz piespiežot taustiņu START, gatavošanas ilgums visās programmās, izņemot automātisko režīmu, daudzpakāpju gatavošanu un automātiskas atlaidināšanas režīmu, tiks pagarināts par 30 sekundēm.

BĒRNU DROŠĪBAS
FUNKCIJA

Lietojiet šo funkciju, lai bloķētu vadības paneli laikā, kad veicat tīrīšanu, kā arī, lai bērni nevarētu lietot krāsni bez uzraudzības. Šajā režīmā nedarbojas neviena poga.

- 1) Bloķēšanas iestatīšana: aptuveni 3 sekundes turiet piespiestu pogu STOP.
- 2) Bloķēšanas atcelšana: aptuveni 3 sekundes turiet piespiestu pogu STOP.

MIKROVIĻŅU KRĀSNS KOPŠANA

1. Pirms mikroviļņu krāsns tīrīšanas izslēdziet iekārtu un atvienojiet strāvas kontaktdakšu no sienas kontaktligzdas.
2. Uzturiet tīru krāsns iekšpusi. Kad pārtikas šlakatas pielīp pie krāsns sienām vai izlīst šķidrums, noslaukiet tos ar mitru drānu. Nav ieteicams lietot spēcīgus mazgāšanas līdzekļus vai abrazīvus līdzekļus.
3. Krāsns ārpusē virsmas jātīra ar mitru drānu. Lai novērstu krāsns iekšpusē darbojošos detaļu bojājumus, nedrīkst pieļaut, ka ūdens iekļūst ventilācijas atverēs.
4. Sargājiet, lai vadības panelis nekļūtu mitrs. Tīriet ar mīkstu, mitru drānu. Neizmantojiet mazgāšanas līdzekļus, abrazīvus vai izsmidzināmus tīrīšanas līdzekļus vadības paneļa tīrīšanai.
5. Ja krāsns durvju iekšpusē vai ap tām uzkrājas tvaiks, noslaukiet ar mīkstu drāniņu. Tas var notikt, ja mikroviļņu krāsns tiek darbināta augsta mitruma apstākļos, un tas nekādā gadījumā neliecina par iekārtas darbības traucējumiem.
6. Laiku pa laikam ir nepieciešams izņemt stikla paplāti, lai to notīrītu. Mazgājiet paplāti siltā ziepjainā ūdenī vai trauku mazgājamā mašīnā.
7. Veltņa gredzens un krāsns dobuma pamatne ir regulāri jātīra, lai izvairītos no pārmērīga trokšņa. Vienkārši noslaukiet krāsns apakšējo virsmu ar maigu mazgāšanas līdzekli, ūdeni vai logu tīrīšanas līdzekli un nosusiniet. Veltņa gredzenu var mazgāt viegli ziepjainā ūdenī vai trauku mazgājamā mašīnā. Atkārtotas lietošanas laikā uzkrājas gatavošanas tvaiki, bet tie nekādā veidā neietekmē apakšējo virsmu vai veltņa gredzenu rullīšus. Noņemot veltņa gredzenu no dobuma pamatnes tīrīšanai, noteikti pārliecinieties, ka tas novietot atpakaļ pareizā pozīcijā.
8. Lai likvidētu smakas krāsns iekšpusē, sajauciet glāzi ūdens ar viena citrona sulu un miziņu un ielejiet to dziļā traukā, kas piemērots lietošanai mikroviļņu krāsnī. Karsējiet ūdeni krāsnī ar mikroviļņiem 5 minūtes, pēc tam rūpīgi izslaukiet krāsns dobumu un nosusiniet ar mīkstu drānu.

APKĀRTĒJĀ VIDE

Pēc ierīces kalpošanas laika beigām neizmetiet to kopā ar parastajiem sadzīves atkritumiem. Nododiet to oficiālajā ierīču savākšanas punktā pārstrādei. Tā rīkojoties, jūs rūpēsieties par apkārtējo vidi.

MIKROVIĻŅU KRĀSNS UZSTĀDĪŠANA

UZSTĀDĪŠANA

1. Pārbaudiet, vai no iekšpuses (aiz durtiņām) ir izņemti visi iepakojuma materiāli.
2. Pēc izņemšanas no iepakojuma pārbaudiet, vai krāsns nav vizuāli bojāta, piemēram:
 - izļodzījušās durtiņas
 - bojātas durtiņas
 - radušies iespaidumi vai caurumi krāsns durtiņās un sietā
 - iespaidumi krāsns dobumāJa redzams kāds no iepriekš minētajiem bojājumiem, **NELIETOJIET** mikroviļņu krāsni.
3. Šī mikroviļņu krāsns sver 11 kg, un tā jānovieto uz pietiekami izturīgas horizontālas virsmas, kas balsta šādu svaru.
4. Krāsns jānovieto atstatu no augstas temperatūras un tvaika avotiem.
5. Uz mikroviļņu krāsns augšas **NEDRĪKST** neko likt.
6. Lai nodrošinātu pareizu ventilāciju, krāsns turiet vismaz 20 cm attālumā no abām sānu sienām un 30 cm attālumā no aizmugurējās sienas.
7. **NEŅEMIET** ārā rotācijas piedziņas vārpstu.
8. Kā jebkuras citas ierīces gadījumā, ir nepieciešama rūpīga uzraudzība, ja to lieto bērni.
9. Noteikti jābūt iespējai viegli piekļūt maiņstrāvas kontaktligzdai, lai ārkārtas gadījumā varētu ātri izņemt kontaktdakšu. Pretējā gadījumā jābūt iespējai ierīci atvienot, izmantojot slēdzi no kontūra. Tādā gadījumā jāievēro spēkā esošo elektrodrošības standartu noteikumi.
Produkts pareizi jāpievieno iezemētai kontaktligzdai ar vienfāzes maiņstrāvu (220-240 V/ 50 Hz).
BRĪDINĀJUMS! ŠAI IERĪCEI JĀBŪT IEZEMĒTAI!
10. Šai mikroviļņu krāsnij vajadzīga 1,1 kVA ievades jauda. Uzstādot krāsni, ieteicams konsultēties ar servisa inženieri.

BRĪDINĀJUMS! Šī mikroviļņu krāsns ir iekšēji aizsargāta ar 250 V, 8 A drošinātāju.

SPECIFIKĀCIJAS

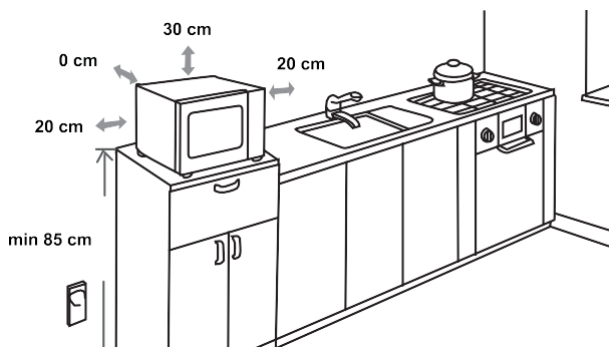
Jaudas patēriņš.....	220-240 V ~50 Hz, 1150 W
Izejas jauda.....	700 W
Darba frekvence.....	2450 MHz
Ārējie izmēri.....	451 x 283 x 364 mm
Krāsns tilpums.....	20 litri
Svars bez iepakojuma.....	aptuv. 11 kg
Trokšņa līmenis.....	Lc < 61 dB (A)



Šī ierīce ir marķēta atbilstoši Eiropas direktīvai 2012/19/ES par elektrisko un elektronisko iekārtu atkritumiem (EEIA).

Šis priekšraksts ir visā Eiropā spēkā esoša pamatnostādne attiecībā uz elektrisko un elektronisko iekārtu atkritumu nodošanu un otrreizējo pārstrādi.

UZSTĀDĪŠANAS IZMĒRI



RADIOTRAUCĒJUMI

Mikroviļņu krāsns darbības laikā var izraisīt radio, televizora vai līdzīgas ierīces darbības traucējumus. Ja rodas traucējumi, tos var novērst vai mazināt, izmantojot šādas procedūras.

- Notīriet krāsns durvīgu un blīvējumu virsmas.
- Novietojiet radio, televizoru u. c. pēc iespējas tālāk no mikroviļņu krāsns.
- Lietojiet pareizi uzstādītu radio, TV u. c. antenu, lai nodrošinātu spēcīgu signāla uztveršanu.

**MĒS PATURAM TIESĪBAS VEIKT JEBKĀDAS IZMAIŅAS,
KAS NEIETEKMĒ IERĪCES FUNKCIONALITĀTI.**

PIRMS ZVANĪT SERVISA DIENESTAM

1. Ja krāsns nedarbojas vispār, informācija displejā netiek rādīta vai displejs izslēdzas:
 - a) Pārbaudiet, vai krāsns ir droši pievienota elektrības padevei. Ja nav, atvienojiet kontaktdakšu no kontaktligzdas, uzgaidiet 10 sekundes un atkārtoti ievietojiet kontaktligzdā.
 - b) Pārbaudiet, vai nav izdedzis kontūra drošinātājs vai nostrādājis galvenais automātiskais slēdzis. Ja tie darbojas pareizi, pārbaudiet kontaktligzdu, pievienojot citu ierīci.
2. Ja mikroviļņi nedarbojas:
 - a) Pārlicinieties, vai nav iestatīts taimeris.
 - b) Pārlicinieties, vai durvis ir stingri aizvērtas, lai iedarbinātu drošības bloķēšanas ierīces. Pretējā gadījumā krāsni neieplūdis mikroviļņu enerģija.
Ja nekas no iepriekš minētā situāciju neatrisina, sazinieties ar tuvāko pilnvaroto servisa pārstāvi. Ierīce paredzēta sadzīves lietojumam, lai uzsildītu ēdienus un dzērienus, izmantojot elektromagnētisko enerģiju. Lietojumam tikai telpās.

GARANTIJA UN APKOPE

Ja jums nepieciešama papildu informācija vai rodas kādas problēmas, lūdzu, sazinieties ar Hisense klientu apkalpošanas centru savā valstī (tā tālruna numuru varat atrast pasaules garantijas brošūrā). Ja jūsu valstī nav klientu apkalpošanas centra, vērsieties pie vietējā Hisense izplatītāja vai sazinieties ar Hisense sadzīves tehnikas servisa nodaļu.

Tikai personiskai lietošanai!

VĒLAM JUMS DAUDZ PRIEKA, LIETOJOT ŠO IERĪCI

Hisense

ПОЧИТУВАН КОРИСНИКУ,

Искрено ви благодариме за купувањето на овој производ. Веруваме дека наскоро ќе најдете доволно докази оти навистина може да сметате на нашите производи. За да го олесните користењето на апаратот, го приложуваме ова сеопфатно упатство за употреба.

Упатството треба да ви помогне да се запознаете со вашиот нов апарат. Ве молиме внимателно прочитајте го пред првпат да го користите апаратот.

Во секој случај, проверете дали апаратот ви е испорачан нештетен. Доколку откриете штета при транспортот, контактирајте со вашиот продажен претставник или со регионалниот магацин откај што е испорачан производот. Телефонскиот број ќе го најдете на сметката или на испратницата.

Ви посакуваме многу задоволство со вашиот нов апарат за домаќинство.



Апарат за домаќинство за загревање храна и пијалаци со помош на електромагнетна енергија, само за внатрешна употреба

УПАТСТВО ЗА УПОТРЕБА

Ова упатство е наменето за корисникот. Тука е опишана печката и како да се користи. Важи и за други типови апарати, па затоа ќе најдете описи на функции што можеби не се однесуваат на вашиот апарат.

ПОТРОШУВАЧКА НА ЕНЕРГИЈА

Информации за производот за потрошувачката на енергија и максималното време за постигнување на применливиот режим со мала моќност.

Исклучен режим	0.8W
----------------	------

Максималното време потребно за микробрановата печка автоматски да го достигне применливиот режим или состојба со мала моќност.	15 минути
--	-----------

Го задржуваме правото на промени и грешки во упатството за употреба.



Никогаш не допирајте ги површините на апаратите за загревање или готвење. Тие се вжештуваат при работа. Чувајте ги децата на безбедно растојание. Постои ризик од изгореници!



Микробранова енергија и висок напон! Не вадете го капакот.

ПРЕДУПРЕДУВАЊЕ! Апаратот и неговите пристапни делови се вжештуваат при употреба. Треба да се внимава да не се допираат грејните елементи. Децата помали од 8 години треба да се држат подалеку, освен ако не се под постојан надзор. Децата треба да се надгледуваат за да не си играат со апаратот.

Овој апарат може да го користат деца на возраст од 8 години па нагоре и лица со намалени физички, сетилни или ментални способности или недоволно искуство и знаење ако се под надзор, т.е. ако добијат инструкции за безбедно користење на апаратот и ако ги разбираат поврзаните опасности. Децата не треба да си играат со апаратот. Тие не треба да го чистат и одржуваат, освен ако не се постари од 8 години и се под надзор.

Чувајте го апаратот и неговиот кабел подалеку од дофат на деца помали од 8 години.

- **ПРЕДУПРЕДУВАЊЕ:** Кога апаратот работи во комбиниран режим, децата треба да ја користат печката само под надзор на возрасен поради создадените температури; (Само за моделот со грил-функција);

- **ПРЕДУПРЕДУВАЊЕ:** Ако вратата или гумата на вратата се оштетени, печката не смее да работи сè додека не ја поправи компетентно лице;
- **ПРЕДУПРЕДУВАЊЕ:** Опасно е кој било, освен компетентно лице, да врши сервисирање или поправка што опфаќа отстранување на капакот кој обезбедува заштита од изложување на микробранова енергија;
- **ПРЕДУПРЕДУВАЊЕ:** Течности и друга храна не смее да се загреваат во затворени садови бидејќи може да експлодираат.
- Децата треба да се надгледуваат за да не си играат со апаратот.
- Не вадете ги ногарките на печката и не блокирајте го воздухот во неа.
- Користете само прибор што е погоден за употреба во микробранови печки.
- Кога загревате храна во пластични или хартиени садови, внимавајте на печката поради можноста за палење.
- Ако забележите чад, исклучете го апаратот или извадете го од струја и држете ја вратата затворена за да се задуши пламенот.
- Загревањето на пијалаци во микробранова печка може да доведе до одложено еруптивно вриење, па затоа мора да се внимава при ракување со садот.
- Содржината на шишиња и теглички со храна за бебиња треба да се промеша или протресе, а температурата да се провери пред да се консумира, за да се избегнат изгореници.

- Јајцата во лушпа и цели тврдо варени јајца не треба да се загреваат во микробранова печка, бидејќи може да експлодираат, дури и кога загревањето во печката завршило.
- Кога ги чистите површините на вратата, гумата околу вратата и внатрешноста на печката, користете само благи, неабразивни сапуни или детергенти кои се нанесуваат со сунѓер или со мека крпа.
- Печката треба редовно да се чисти и да се отстрануваат сите наслагы од храна.
- Неодржувањето на печката во чиста состојба може да доведе до пропаѓање на површината, што може негативно да влијае врз векот на траење на апаратот и евентуално да доведе до опасна ситуација.
- Ако доводниот кабел е оштетен, мора да биде заменет од производителот, неговиот сервисер или слично квалификувано лице за да се избегне опасност.
- Не оставајте кабелот да виси над работ од масата или работната површина.
- За да избегнете опасна ситуација, никогаш не поврзувајте го овој апарат на надворешен тајмер или систем за далечинско управување.
- Никогаш не менувајте ја светилката внатре во печката. Секогаш мора да ја замени сервисер на Хајсенс.
- Не чистете го апаратот со чистачи на пареа, средства за чистење под притисок, остри предмети, абразивни средства за чистење и абразивни сунѓери и отстранувачи на дамки.

Како и кај сите апарати, подолу се наведени одредени правила и заштитни мерки што треба да се следат за да се гарантираат врвни перформанси на оваа печка:

1. Кога ја користите печката, секогаш нека ви бидат наместо стаклената чинија, ротирачките краци, спојката и ротирачката шина.
2. Освен за подготовка на храна, не користете ја печката за друга намена, како на пример, за сушење облека, хартија или други непрехранбени производи, или за стерилизирање.
3. Не ракувајте со печката кога е празна. Ова може да ја оштети.
4. Не користете ја внатрешноста на печката за складирање, како на пр., хартии, книги за готвење и сл.
5. Не гответе храна обвинена со мембрана, како што се жолчки од јајце, компири, пилешки цигери и сл. без претходно да ја избоцкате неколкупати со виљушка.
6. Не вметнувајте никаков предмет во отворите на надворешното куќиште.
7. Во ниеден момент не отстранувајте делови од печката како што се ногарките, спојката, шрафовите и сл.
8. Не гответе храна директно на стаклената чинија. Ставете ја храната во/на соодветен сад за готвење пред да ја ставите во печката.

ВАЖНО – САДОВИ ЗА ГОТВЕЊЕ ШТО НЕ ТРЕБА ДА СЕ КОРИСТАТ ВО ВАШАТА МИКРОБРАНОВА ПЕЧКА

- Не користете метални тави или садови со метални рачки.
 - Не користете ништо со метална облога.
 - Не користете жичени врвци обвинени со хартија на пластични кеси.
 - Не користете меламински садови оти тие содржат материјал што ја апсорбира микробрановата енергија. Ова може да предизвика пукање или јагленосување на садовите и ќе ја намали брзината на готвење.
 - Не користете садови Центура. Глазурата не е погодна за употреба во микробранова печка. Не треба да се користат чаши со затворена рачка на Корел Ливингвер (Corelle Livingware).
 - Не гответе во сад со ограничен отвор, како шише со тапа или запечатено шише со масло, бидејќи може да експлодираат ако се загреат.
 - Не користете обични термометри за месо или слатки.
 - Постојат специјални термометри за готвење во микробранова печка. Тие може да се користат.
9. Приборот за микробранови печки треба да се користи само според упатствата на производителот.
 10. Не пржете храна во печката.
 11. Запомнете дека микробрановата печка ја загрева само течноста во садот, но не и самиот сад. Затоа, иако капакот на садот не е жежок на допир кога ќе се извади од

- печката, запомнете дека храната/течноста внатре ќе испушта исто количество пара и/или ќе прска кога ќе се извади капакот како и кај обично готвење.
12. Секогаш сами проверете ја температурата на зготвената храна, особено ако загревате или готвите храна/течност за бебиња. Препорачливо е никогаш да не конзумирате храна/течност директно од печката, туку оставете ја да отстои неколку минути и промешајте ја за топлината рамномерно да се распредели.
 13. Храна што содржи мешавина од маснотии и вода, на пр., супа, треба да отстои 30-60 секунди во печката откако ќе се исклучи. Ова е за да се овозможи смесата да се смири и да се спречи клокотење кога ќе се стави лажица во храната/течноста или кога ќе се додаде коцката супа.
 14. Кога подготвувате/готвите храна/течност, запомнете дека има одредени намирници, на пр., пудинг, џем и мелено месо, кои многу бргу се загреваат. Кога загревате или готвите храна со висока содржина на масти или шеќер, не користете пластични садови.
 15. Садот за готвење може да се вжешти поради топлината што се пренесува од загреаната храна. Ова е особено точно ако горниот дел и рачките на садот биле покриени со пластична фолија. Можеби ќе бидат потребни држачи за ракување со садот.
 16. За да се намали ризикот од пожар во внатрешноста на печката:
 - a) Не преварувајте ја храната. Внимателно следете ја микробрановата печка ако внатре има хартија, пластика или други запаливи материјали за да се олесни готвењето.
 - b) Отстранете ги жичените врвци од кесите пред да ја ставите кесата во печката.
 - c) Ако материјалите во печката случајно се запалат, оставете ја вратата затворена, исклучете ја печката од струја или исклучете го напојувањето кај осигурувачот или на разводната табла.

КОНТРОЛЕН ПАНЕЛ



Potato



Pasta



Pizza



Popcorn



Vegetable



Beverage



Meat



Reheat



Fish

Microw.

Defrost/ECO

Timer/Mute

1

2

3

4

5

6

7

8

9

STOP

Cancel

0

Clock

START

+30 Sec

ЕКРАН

Ги прикажува часовникот, времето на готвење и нагодувањето.

ОДМРЗНУВАЊЕ (DEFROST)

Ова копче служи за одмрзнување на храната според време и тежина.

МИКРОБРАНОВА (MICROW.)

Со ова копче се избира степенот на сила на микробрановата печка.

ЧАСОВНИК (CLOCK)

Задржете го ова копче 3 секунди за да го нагодите часовникот.

ТАЈМЕР (TIMER)

Со ова копче се нагодува функцијата на тајмерот. ИКОНИ
Со овие копчиња се нагодуваат времето и тежината на храната, и се избираат програмите од автоматското мени.

DEFROST/ECO (ОДМРЗНИ/ЕКО)

Користете го ова копче за одмрзнување на храната според време и тежина.

Користете го ова копче за заштеда на струја. TIMER/
Mute (ТАЈМЕР/Исклучи звук)

Стиснете го ова копче во режим на подготвеност за да го
вклучите/исклучите звукот

0 – 9

Со овие копчиња се внесува времето на готвење и тежината.

СТОП/ОТКАЖИ (STOP/CANCEL)

Користете го ова копче за да ја прекинете или откажете поставката
Задржете 3 секунди за заклучување на бравата.

СТАРТ/+30 СЕК (START/+30 SEC)

Со ова копче се започнува брзо готвење од 30 секунди, се зголемува времето на готвење за 30 секунди (со секое притискање) или се потврдуваат нагодувањата за готвење.

УПАТСТВО ЗА РАКУВАЊЕ

ЧАСОВНИК

TIMER/MUTE
(ТАЈМЕР/ИСКЛУЧИ ЗВУК)
ТАЈМЕР

TIMER/MUTE
(ТАЈМЕР/ИСКЛУЧИ ЗВУК)
MUTE (ИСКЛУЧИ ЗВУК)

MICROW.
(МИКРОБРАНОВИ)

Печката е опремена со дигитален часовник. Кога таа е во режим на подготвеност, часовникот може да се нагоди со притискање на копчето Clock 3 секунди.

1. Притиснете ги нумеричките копчиња (0-9) и внесете го времето. На пример, за да го внесете тековното време 12:30, треба да притиснете „1“, „2“, „3“, „0“. Внесениот час треба да биде во рамките од 1 до 24, а внесените минути од 0 до 59.
2. Притиснете го копчето START за да завршите со нагдувањето на часовникот. Ќе започне да трепка симболот „:“. Часовникот е нагоден.

НАПОМЕНА:

Часовникот треба да ви биде нагоден пред користење на печката.

Употребете го тајмерот (штоперицата) за да нагодите аларм.

1. Стиснете го копчето Timer. На екранот ќе се прикаже „:“.
2. Притиснете ги нумеричките копчиња (0-9) и внесете го времето на тајмерот. Најдолгото време што може да го поставите е 99 минути и 99 секунди.
3. Стиснете START за да го потврдите нагдувањето.
4. Штом ќе помине времето, микробрановата ќе се огласи и ќе се врати во почетна состојба.

НАПОМЕНА:

- Кога работи кујнскиот тајмер, не може да се користат други функции.
- Кога микробрановата не се користи, оваа функција ви овозможува да ја користите како тајмер.
- Ве молиме проверете дали часовникот е нагоден.

Стиснете го и задржете го ова копче во режим на подготвеност, за го вклучите/исклучите звукот и за да се прикаже соодветната информација за вклученост/исклученост. Кога ќе изберете да се вклучи или исклучи звукот, стиснете „STOP“ за да излезете од избраниот режим. Зуењето се вклучува или исклучува според соодветните нагдувања.

Има десет нивоа на микробранова сила, 100P, 90P, 80P, 70P, 60P, 50P, 40P, 30P, 20P и 10P, соодветно. Континуирано стискајте го копчето „Microw. (Микробранови)“ и изберете ја саканата сила. Стискајте ги нумеричките копчиња 0~9 (од 1 до 9) за да го внесете времето на готвење, при што максималното време што може да се внесе е 99:99. По внесување на времето за готвење, стиснете го копчето „START/+30s“ за да ја активирате печката. Звук на зуење ќе ве извести за крајот на операцијата.

НАПОМЕНА:

Различна силина е погодна за различна храна.

HIGH (СИЛНО)	100% и 90% излезна моќност	за брзо и целосно варење
M.High (Средно силно)	80% и 70% излезна моќност	за средно експресно варење
Med (Средно)	60% и 50% излезна моќност	за готвење храна на пареа
M.Low (Средно тивко)	40% и 30% излезна моќност	за одмрзнување храна
LOW (ТИВКО)	20% и 10% излезна моќност	за одржување на топлината

АВТОМАТСКО ГОТВЕЊЕ

За храната во автоматското мени, треба да се нагодат само видот на храната и тежината/количината. Печката ќе ви помогне во нагудување на силината и времето.

На пример: Ако сакате да зготвите 2 компира, следете ги чекорите подолу:

1. Притискајте го копчето Компир (Potato) повеќепати за да ја изберете опцијата за тежина. За повеќе информации, погледнете ја табелата со мени за автоматско готвење.
2. Стиснете START за да го потврдите и започнете готвењето.

Мени	Екран	Тежина
A1 Potato (Компир)	250	250g
	500	500g
	750	750g
A2 Pasta (Тестенини)	50	50g
	100	100g
	150	150g
A3 Pizza (Пица)	200	200g
	400	400g
A4 Porcorn (Пукан.)	100	100g
A5 Vegetable (Зеленчук)	200	200g
	400	400g
	600	600g
A6 Beverage (Пијалак)	1	250ml
	2	500ml
	3	750ml
A7 Meat (Месо)	200	200g
	400	400g
	600	600g

A8 Fish (Риба)	200	200g
	400	400g
	600	600g

НАПОМЕНА:

- Одредена храна можеби ќе треба да ја превртите при готвењето за целосно да се зготви и рамномерно да се зарумени.
- Густината и набиеноста на храната може да влијаат врз времето на готвење.
- Сите времиња на готвење се само приближни; приспособете ги на преферираните вкусови и рецепти.
- Користете само соодветни садови и просирна фолија за микробранова печка. Избоцкајте ја фолијата со виљушка пред готвењето.

ПОДГРЕВАЊЕ

Функцијата за подгревање е главно за да им олесни на корисниците да ја загреваат храната според тежината на храната, постојано притискајте го копчето „Reheat“, изберете ја соодветната тежина на храната, опсегот на тежина кој може да се избере е 200 g, 400 g, 600 g, 800 g и 1000 g. Откако ќе ја изберете тежината, притиснете го копчето „START/+30s“ за да започнете со работа, а звучниот сигнал ќе се огласи откако ќе заврши подгревањето.

ОДМРЗНУВАЊЕ СПОРЕД ТЕЖИНА (WEIGHT DEFROST) dEF1

Печката овозможува одмрзнување на месо, живина и морски плодови. Времето на одмрзнување и силината ќе се прилагодат автоматски според претходно поставената тежина. Тежината на храната за одмрзнување може да биде меѓу 100g и 1500g.

1. Стиснете го копчето Weight Defrost и на екранот ќе се прикаже „dEF1“.
2. Притиснете ги нумеричките копчиња (0-9) за да ја внесете тежината. На пример, внесете ја тежината со притискање „6“, „0“, „0“ за 600g.
3. Стиснете START за да го потврдите и започнете готвењето.

НАПОМЕНА:

При одмрзнување, печката автоматски ќе испушти звучен сигнал двапати на половина од процесот. Ова е за да ве потсети да ја превртите храната. Кога ќе го направите тоа, затворете ја вратата и притиснете START.

Големи парчиња може да останат замрзнати во средината. Затоа, за време на одмрзнувањето, одвреме-навреме превртете ги и раскршете ги на помали парчиња за рамномерно да се одмрзнат.

Исцедете ја течноста при одмрзнувањето, бидејќи соковите може да се загреат и да ја сварат храната.

ОДМРЗНУВАЊЕ
СПОРЕД ВРЕМЕ
(TIME DEFROST)
dEF2

Печката овозможува и брзо одмрзнување.

1. Притиснете Time Defrost и на екранот ќе се прикаже „dEF2“.
2. Притиснете ги нумеричките копчиња (0-9) за да го внесете времето на одмрзнување. На пример, со притискање на „5“, „3“, „0“ внесувате време на одмрзнување од 5 минути и 30 секунди.
3. Стиснете START за да го потврдите и започнете готвењето.

НАПОМЕНА:

Големи парчиња може да останат замрзнати во средината. Затоа, за време на одмрзнувањето, одвреме-навреме превртете ги и раскршете ги на помали парчиња за рамномерно да се одмрзнат.

Исцедете ја течноста при одмрзнувањето, бидејќи соковите може да се загреат и да ја сварат храната.

DEFROST/ECO
(ОДМРЗНИ/ЕКО)
ECO (ЕКО)

Во режим на подготвеност, стиснете го и задржете го копчето за да влезете во „ЕКО-режим“ и екранот ќе се исклучи. Во режимот ЕКО, притиснете кое било копче за да излезете од режимот и екранот ќе се осветли.

БРЗ СТАРТ
(QUICK START)

Совети за користење на печката

Користете ја оваа функција за брзо загревање (100% силина на микробрановата) или готвење на вашата храна. Во режимот на подготвеност, притиснете го копчето START и печката ќе работи 30 секунди. Со секое последователно притискање на START, времето на работа ќе се продолжува за 30 секунди.

НАПОМЕНА:

Со повторно притискање на копчето START, времето на готвење ќе се продолжи за 30 секунди во сите програми освен во автоматскиот режим, готвењето во повеќе чекори и во режимот на автоматско одмрзнување.

БЛОКАДА ЗА ДЕЦА
(CHILD LOCK)

Користете ја оваа функција за блокирање на контролниот панел кога чистите, или за децата да не можат да ја користат печката без надзор. Сите копчиња се оневозможени во овој режим.

- 1) Блокирање: Задржете го копчето STOP околу 3 секунди.
- 2) Одблокирање: Задржете го копчето STOP околу 3 секунди.

ГРИЖА ЗА ВАШАТА МИКРОБРАНОВА ПЕЧКА

1. Исклучете ја печката и извадете го приклучокот за струја од ѕидниот штекер пред да ја чистите.
2. Одржувајте ја внатрешноста чиста. Ако на ѕидовите се налепат остатоци од храна и течност, избришете ги со влажна крпа. Не се препорачува употреба на остар детергент или абразивни средства.
3. Надворешната површина треба да се чисти со влажна крпа. За да се спречи оштетување на работните делови во печката, не треба да се дозволи навлегување на вода во отворите за вентилација.
4. Не дозволувајте контролниот панел да се навлажни. Чистете со мека, влажна крпа. Не користете детергенти, абразиви или средства што се прскаат на контролниот панел.
5. Ако се насобере пареа внатре или околу надворешната страна на вратата, избришете ја со мека крпа. Ова може да се случи кога микробрановата печка работи во услови на висока влажност и во никој случај не значи неисправност на апаратот.
6. Повремено е потребно да се извади стаклената чинија за да се исчисти. Измијте ја чинијата во топла вода со пена или во машина за миење садови.
7. Ротирачкиот обрач и долниот дел од внатрешноста на печката треба редовно да се чистат за да се избегне прекумерна бучава. Едноставно избришете ја долната површина со благ детергент, вода или средство за чистење прозорци и исушете ја. Ротирачкиот обрач се мие во благ раствор од пена и вода или во машина за миење садови. Од готвењето се насобира пареа при повеќекратна употреба, но тоа не ги засега долната површина или тркалцата од ротирачкиот обрач. При вадење на обрачот од внатрешноста заради чистење, внимавајте да го вратите во исправната позиција.
8. Отстранете ги мирисите со комбинирање на шолја вода со сок и кора од еден лимон во длабок сад за микробранова печка. Загрејте го растворот во микробрановата 5 минути, темелно избришете и исушете со мека крпа.

ЖИВОТНА СРЕДИНА

На крајот од векот на траење, не фрлајте го апаратот заедно со вообичаен отпад од домаќинство туку предадете го на официјално собирно место за рециклирање. Со тоа помагате да се зачува животната средина.

МОНТИРАЊЕ НА МИКРОБРАНОВАТА ПЕЧКА

ИНСТАЛАЦИЈА

1. Проверете дали сета опаковка е отстранета од внатрешната страна на вратата.
2. По отпакувањето, визуелно проверете ја печката за оштетувања како на пр.:
 - Неправилно поставена врата
 - Оштетена врата
 - Вдлабнатини или дупки на прозорецот и екранот на вратата
 - Вдлабнатини во внатрешностаАко се гледа нешто од горенаведеното, НЕ користете ја печката.
3. Оваа микробранова печка тежи 11 kg и мора да биде поставена на хоризонтална површина што е доволно цврста за да ја издржи оваа тежина.
4. Печката мора да се постави подалеку од висока температура и пареа.
5. НЕ ставајте ништо врз печката.
6. Чувајте ја печката најмалку 20 cm подалеку од двата странични зида и 30 cm од горниот ѕид за да се обезбеди правилна вентилација.
7. НЕ отстранувајте ја погонската спојка на ротирачката чинија.
8. Како и кај секој апарат, неопходен е буден надзор кога печката ја користат деца.
Проверете дали штекерот за наизменична струја е лесно достапен за приклучокот да може бргу да се извади во итен случај. Инаку, треба да биде можно уредот да се исклучи со помош на прекинувач од колото. Во ваков случај, се земаат предвид постојните одредби од стандардите за електрична безбедност. Производот треба правилно да се инсталира на заземјен штекер со еднофазна наизменична струја (220-240 V/50 Hz).
ПРЕДУПРЕДУВАЊЕ! ОВОЈ АПАРАТ МОРА ДА БИДЕ ЗАЗЕМЈЕН!
9. За оваа печка потребен е влез од 1,1 kVA, се предлага консултација со сервисен инженер при нејзино инсталирање.

ВНИМАНИЕ: Оваа печка е внатрешно заштитена со осигурувач од 250 V, 8 амperi.

СПЕЦИФИКАЦИИ

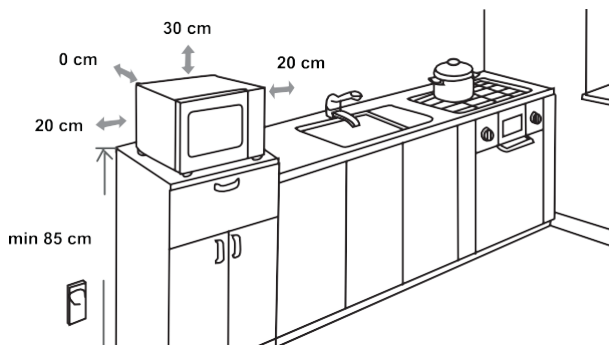
Потрошувачка на струја	220-240V ~50Hz, 1150W
Излезна моќност	700W
Работна фреквенција.....	2450MHz
Надворешни димензии	451 x 283 x 364 mm
Капацитет на печката	20 литри
Тежина без опаковка	Околу 11 kg
Степен на бучава	Lc < 61 dB (A)



Овој апарат е означен според европската директива 2012/19/EУ за отпадна електрична и електронска опрема (WEEE).

Ова упатство е важечка рамка за враќање и рециклирање на отпадна електрична и електронска опрема низ цела Европа.

ДИМЕНЗИИ, МОНТАЖА



РАДИО ИНТЕРФЕРЕНЦИЈА

Микробрановата печка може да предизвика пречки на вашето радио, ТВ или слична опрема. Ако дојде до пречки, тоа може да се елиминира или намали со следниве постапки.

- Исчистете ги вратата и гумата на печката.
- Ставете ги радиото, телевизорот и сл. што подалеку од микробрановата печка.
- Користете правилно инсталирана антена за вашето радио, ТВ, и сл. за да имате прием на силен сигнал.

ГО ЗАДРЖУВАМЕ ПРАВОТО НА ПРОМЕНИ КОИ НЕ ВЛИЈАЈАТ ВРЗ ФУНКЦИОНАЛНОСТА НА АПАРАТОТ.

ПРЕД ДА ПОВИКАТЕ СЕРВИС

1. Ако печката воопшто не работи, информациите на екранот не се појавуваат или приказот исчезнал:
 - a) Проверете дали печката е безбедно приклучена. Ако не е, извадете го приклучокот од штекерот, почекајте 10 секунди и повторно безбедно приклучете го.
 - b) Проверете да не изгорел осигурувач или да не паднал главниот прекинувач. Ако тие работат правилно, проверете го штекерот со друг апарат.
2. Ако микробрановата енергија не функционира во печката:
 - a) Проверете дали тајмерот е нагоден.
 - b) Проверете дали вратата е добро затворена за да се активираат безбедносните блокади. Во спротивно, микробрановата енергија нема да тече во печката.
Ако ништо од претходното не ја поправи ситуацијата, контактирајте со најблискиот овластен сервисер.

Апарат за домаќинство за загревање храна и пијалаци со помош на електромагнетна енергија, само за внатрешна употреба

ГАРАНЦИЈА И СЕРВИС

Ако ви требаат информации или ако имате проблем, ве молиме контактирајте со Центарот за грижа за корисници на Хајсенс во вашата земја (телефонскиот број ќе го најдете во светскиот гарантен лист). Ако не постои Центар за грижа за корисници во вашата земја, одете кај вашиот локален продавач на Хајсенс или контактирајте со Севичниот оддел за домашни апарати на Хајсенс.

Само за лична употреба!

ВИ ПОСАКУВА МНОГУ ЗАДОВОЛСТВО ПРИ КОРИСТЕЊЕ НА ВАШИОТ АПАРАТ

Hisense

